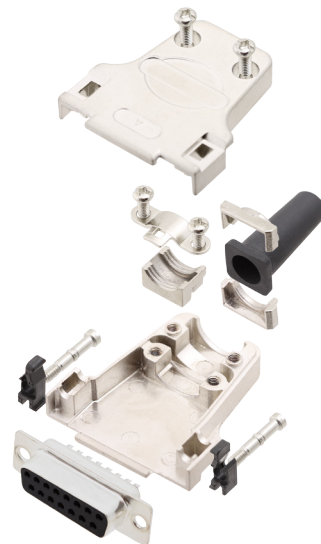


TECHNICAL SPECIFICATIONS

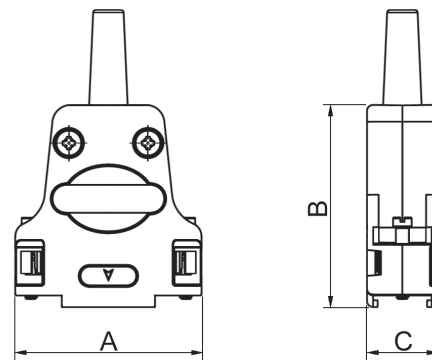
D-Sub Hood:

Material: Zinc, Nickel Plated
 Operating Temperature: -45°C to + 105°C
 Cable Entry: Top Entry
 Thumbscrews: UNC 4-40 (Standard)
 Cable O.D:
 9-Way: Up to 9,5mm
 15-Way: Up to 9,5mm
 25-Way: Up to 9,5mm
 37-Way: Up to 12mm



Female D-Sub Solder Cup:

Insulator: PBT, Black, UL94 V-0
 Shell: Steel, Tin Plated
 Contact pins: Copper Alloy
 Stamped & Formed Pins: Class 3, 100 inserts min.
 Machined Contact Pins: Class 1, 500 inserts min.
 Contact Plating: Selective Gold over Nickel
 Operating Temperature: -55°C to +105°C
 Withstanding voltage: 1000V for 1 minute
 Insulator resistance: 1000MΩ min.



D-Sub-Hood

Features:

- Available in sizes 9-15-25-37
- Excellent EMI Shielding
- Re-openable
- Spring-Clip mounted Jackscrews

Size DTZF	Dim A	Dim B	Dim C
9-way	31,6	39,5	15,2
15-way	40,0	41,0	15,2
25-way	53,7	47,5	15,2
37-way	70,2	48,0	15,2

Ordering information:

Class 3 Sub-D Connector Kits (100 inserts min.)

Size:	P/N - Kitted:	Product Code - FEMALE Conn. Kit
9-way	6355-0044-11	DTZF09-DBS-K
15-way	6355-0044-12	DTZF15-DBS-K
25-way	6355-0044-13	DTZF25-DBS-K
37-way	6355-0044-14	DTZF37-DBS-K

Ordering information:

Class 1 Sub-D Connector Kits (500 inserts min.)

Size:	P/N - Kitted:	Product Code - FEMALE Conn. Kit
9-way	6355-0045-11	DTZF09-DMS-K
15-way	6355-0045-12	DTZF15-DMS-K
25-way	6355-0045-13	DTZF25-DMS-K
37-way	6355-0045-14	DTZF37-DMS-K