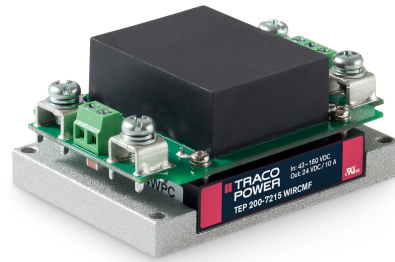


- Chassis mount with screw terminal block
- Including EMI filter to meet EN 55032, class A
- Ultra wide 4:1 input voltage ranges 9–36, 18–75, 43–160 VDC
- EN 50155 approval for railway applications
- Very high efficiency up to 91%
- No minimum load
- Soft start
- Under voltage lock-out circuit
- Adjustable output voltage +10 / -20%
- Sense line



The TEP 200WIRCMF Series is a family of isolated high performance DC/DC converter modules with ultra-wide 4:1 input voltage ranges. They come in chassis mount version with screw terminal block and with integrated EMI input filter to meet EN 55032 class A. A very high efficiency allows full power operation at 25°C with only 100 LFM air flow cooling and operation at 60°C with only 40% power derating. The very wide input voltage range and reverse input voltage protection make these converters interesting solution for battery operated systems. Typical applications are in telecom/datacom, industry control and railway systems for onboard power distribution.

Models				
Order Code	Input Voltage Range	Output Voltage nom. (adjustable)	Output Current max.	Efficiency typ.
TEP 200-2412WIRCMF	9 - 36 VDC (24 VDC nom.)	12 VDC (9.6 - 13.2 VDC)	15'000 mA	89 %
TEP 200-2413WIRCMF		15 VDC (12.0 - 16.5 VDC)	12'000 mA	90 %
TEP 200-2415WIRCMF		24 VDC (19.2 - 26.4 VDC)	7'500 mA	90 %
TEP 200-2416WIRCMF		28 VDC (22.4 - 30.8 VDC)	6'500 mA	90 %
TEP 200-2418WIRCMF		48 VDC (38.4 - 52.8 VDC)	3'700 mA	89 %
TEP 200-4812WIRCMF	18 - 75 VDC (48 VDC nom.)	12 VDC (9.6 - 13.2 VDC)	18'000 mA	90 %
TEP 200-4813WIRCMF		15 VDC (12.0 - 16.5 VDC)	14'000 mA	91 %
TEP 200-4815WIRCMF		24 VDC (19.2 - 26.4 VDC)	9'000 mA	90 %
TEP 200-4816WIRCMF		28 VDC (22.4 - 30.8 VDC)	7'500 mA	91 %
TEP 200-4818WIRCMF		48 VDC (38.4 - 52.8 VDC)	4'500 mA	90 %
TEP 200-7212WIRCMF	43 - 160 VDC (110 VDC nom.)	12 VDC (9.6 - 13.2 VDC)	20'000 mA	89 %
TEP 200-7213WIRCMF		15 VDC (12.0 - 16.5 VDC)	16'000 mA	90 %
TEP 200-7215WIRCMF		24 VDC (19.2 - 26.4 VDC)	10'000 mA	89 %
TEP 200-7216WIRCMF		28 VDC (22.4 - 30.8 VDC)	8'500 mA	90 %
TEP 200-7218WIRCMF		48 VDC (38.4 - 52.8 VDC)	5'000 mA	89 %

Options	
TEP-MK1	- Optional DIN-Rail Mounting Kit: www.tracopower.com/products/tep-mk1.pdf
on demand (backorder with MOQ non stocking item)	<ul style="list-style-type: none"> - Optional model with 3.3 VDC / 50'000 mA Output and 9 - 36 VDC Input - Optional model with 5 VDC / 36'000 mA Output and 9 - 36 VDC Input - Optional model with 3.3 VDC / 50'000 mA Output and 18 - 75 VDC Input - Optional model with 5 VDC / 40'000 mA Output and 18 - 75 VDC Input - Optional model with 53 VDC / 3'800 mA Output and 33 - 75 VDC Input - Optional model with 3.3 VDC / 57'000 mA Output and 43 - 160 VDC Input - Optional model with 5 VDC / 44'000 mA Output and 43 - 160 VDC Input - Optional models with 2:1 Input - Chassis mount models w/o filter: www.tracopower.com/products/tep200wircmf.pdf - Optional models with inverse Remote On/Off function (passive = off)

Input Specifications	
Input Current	- At no load 24 Vin models: 35 mA typ. 48 Vin models: 20 mA typ. 110 Vin models: 10 mA typ.
Surge Voltage	24 Vin models: 50 VDC max. (1 s max.) 48 Vin models: 100 VDC max. (1 s max.) 110 Vin models: 185 VDC max. (1 s max.)
Under Voltage Lockout	24 Vin models: 7.3 VDC min. / 7.7 VDC typ. / 8.1 VDC max. 48 Vin models: 15.5 VDC min. / 16 VDC typ. / 16.3 VDC max. 110 Vin models: 33 VDC min. / 34.5 VDC typ. / 36 VDC max.
Recommended Input Fuse	24 Vin models: 32'000 mA (fast acting) 48 Vin models: 20'000 mA (fast acting) 110 Vin models: 10'000 mA (fast acting) (The need of an external fuse has to be assessed in the final application.)
Input Filter	Internal Pi-Type

Output Specifications	
Output Voltage Adjustment	-20% to +10% (By external trim resistor) See application note: www.tracopower.com/overview/tep200wircmf Output power must not exceed rated power!
Voltage Set Accuracy	±1% max.
Regulation	- Input Variation (Vmin - Vmax) 0.1% max. - Load Variation (0 - 100%) 0.1% max.
Ripple and Noise (20 MHz Bandwidth)	3.3 Vout models: 75 mVp-p max. (w/ 1 µF X7R 25 µF poscap) 5 Vout models: 75 mVp-p max. (w/ 1 µF X7R 25 µF poscap) 12 Vout models: 100 mVp-p max. (w/ 1 µF X7R 25 µF poscap) 15 Vout models: 100 mVp-p max. (w/ 1 µF X7R 25 µF poscap) 24 Vout models: 200 mVp-p max. (w/ 4.7 µF X7R) 28 Vout models: 200 mVp-p max. (w/ 4.7 µF X7R) 48 Vout models: 300 mVp-p max. (w/ 2.2 µF X7R)

All specifications valid at nominal voltage, resistive full load and +25°C after warm-up time, unless otherwise stated.

Capacitive Load	- 24 Vin input	3.3 Vout models: 151'000 µF max.	
		5 Vout models: 72'000 µF max.	
		12 Vout models: 12'500 µF max.	
		- 48 Vin input	15 Vout models: 8'000 µF max.
			24 Vout models: 3'100 µF max.
			28 Vout models: 2'300 µF max.
		- 110 Vin input	48 Vout models: 770 µF max.
			3.3 Vout models: 151'000 µF max.
			5 Vout models: 80'000 µF max.
		12 Vout models: 15'000 µF max.	
		15 Vout models: 9'300 µF max.	
		24 Vout models: 3'700 µF max.	
		28 Vout models: 2'600 µF max.	
		48 Vout models: 930 µF max.	
Minimum Load		Not required	
Temperature Coefficient		±0.02 %/K max.	
Hold-up Time		10 ms min. (acc. to EN 50155 Class S2, see application note for ext. capacitor calculation: www.tracopower.com/info/holdup_en50155.pdf)	
Start-up Time		75 ms typ.	
Short Circuit Protection		Continuous, Automatic recovery	
Output Current Limitation		120 - 150% of Iout max.	
Overvoltage Protection		115 - 130% of Vout nom.	
Transient Response	- Response Time	200 µs typ. / 250 µs max. (25% Load Step)	

Safety Specifications

Standards	- IT / Multimedia Equipment	EN 60950-1
		EN 62368-1
		IEC 60950-1
		IEC 62368-1
		UL 60950-1
		UL 62368-1
	- Railway Applications	EN 50155
	- Certification Documents	www.tracopower.com/overview/tep200wircmf
Pollution Degree		PD 2
Over Voltage Category		OVC II

EMC Specifications

EMI Emissions	- Conducted Emissions	EN 50121-3-2 (EMC for Rolling Stock)
		EN 55011 class A (internal filter)
	- Radiated Emissions	EN 55032 class A (internal filter)
		EN 55011 class A (internal filter)
		EN 55032 class A (internal filter)

All specifications valid at nominal voltage, resistive full load and +25°C after warm-up time, unless otherwise stated.

EMS Immunity	<ul style="list-style-type: none"> - Electrostatic Discharge - RF Electromagnetic Field - EFT (Burst) / Surge - Conducted RF Disturbances - PF Magnetic Field 	EN 50121-3-2 (EMC for Rolling Stock) Air: EN 61000-4-2, ± 8 kV, perf. criteria A Contact: EN 61000-4-2, ± 6 kV, perf. criteria A EN 61000-4-3, 20 V/m, perf. criteria A EN 61000-4-4, ± 2 kV, perf. criteria A EN 61000-4-5, ± 2 kV, perf. criteria A Ext. input component: 24 & 48 Vin models: 2 x KY 220 μ F 110 Vin models: 2 x KXJ 150 μ F EN 61000-4-6, 10 Vrms, perf. criteria A Continuous: EN 61000-4-8, 100 A/m, perf. criteria A 1 s: EN 61000-4-8, 1000 A/m, perf. criteria A
--------------	--	--

General Specifications

Relative Humidity		95% max. (non condensing)
Temperature Ranges	<ul style="list-style-type: none"> - Operating Temperature - Case Temperature - Storage Temperature 	-40°C to +75°C +115°C max. -40°C to +105°C
Power Derating	<ul style="list-style-type: none"> - High Temperature 	Depending on model See application note: www.tracopower.com/overview/tep200wircmf
Over Temperature Protection Switch Off	<ul style="list-style-type: none"> - Protection Mode - Measurement Point 	120°C typ. (Automatic recovery at 105°C typ.) Base-Plate
Cooling System		Natural convection (20 LFM)
Sense Function		10% max. of Vout nom. (Sense line to be connected to the output either at the module or at the load under regard of polarity.)
Remote Control	<ul style="list-style-type: none"> - Voltage Controlled Remote - Off Idle Input Current - Remote Pin Input Current 	On: 3.0 to 12 VDC or open circuit Off: 0 to 1.2 VDC or short circuit Refers to 'Remote' and '-Vin' Pin 3 mA typ. -0.5 to 1.0 mA (Optional models with inverse Remote On/Off function (passive = off))
Altitude During Operation		2'000 m max. (for reinforced insulation) 5'000 m max. (for functional insulation)
Switching Frequency		225 - 275 kHz (PWM) 250 kHz typ. (PWM)
Insulation System		Reinforced Insulation
Working Voltage (rated)		145 VAC (3.3 and 5 Vout models) 185 VAC (48 and 53 Vout models) 172 VAC (other output models)
Isolation Test Voltage	<ul style="list-style-type: none"> - Input to Output, 60 s - Input to Case, 60 s - Output to Case, 60 s 	3'000 VAC 1'500 VAC 1'500 VAC
Isolation Resistance	- Input to Output, 500 VDC	1'000 M Ω min.
Isolation Capacitance	- Input to Output, 100 kHz, 1 V	2'500 pF max.
Reliability	- Calculated MTBF	300'000 h (MIL-HDBK-217F, ground benign)
Environment	<ul style="list-style-type: none"> - Vibration - Mechanical Shock - Thermal Shock - Flammability 	MIL-STD-810F EN 61373 MIL-STD-810F EN 61373 MIL-STD-810F EN 45545-2 www.tracopower.com/info/en45545-declaration.pdf
Housing Material		Alu base-plate w. metal case (24 and 48 Vin models) Alu base-plate w. plastic case (110 Vin models)

All specifications valid at nominal voltage, resistive full load and +25°C after warm-up time, unless otherwise stated.

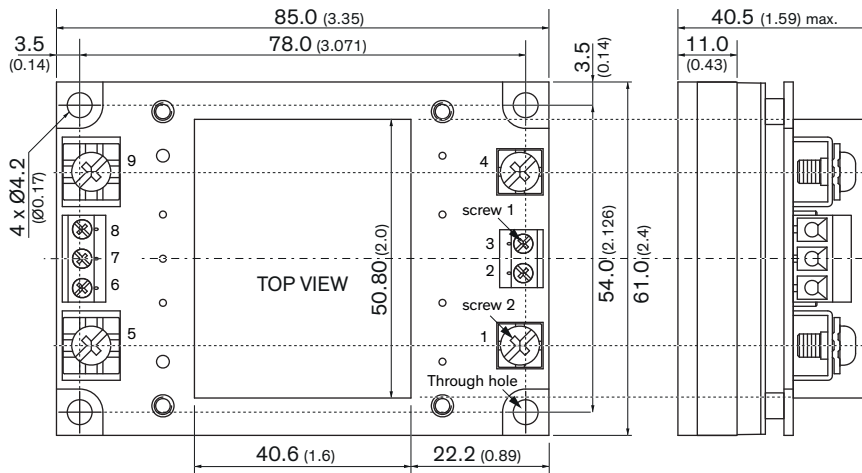
Base Material	Non-conductive FR4 (UL 94 V-0 rated) (24 and 48 Vin models only)
Potting Material	Silicone (UL 94 V-0 rated)
Housing Type	Metal Case (24 and 48 Vin models) Plastic Case (110 Vin models)
Mounting Type	Chassis Mount
Connection Type	Screw Terminal
Weight	287 g
Thermal Impedance - Case to Ambient	6.1 K/W typ.
Environmental Compliance - REACH Declaration	www.tracopower.com/info/reach-declaration.pdf REACH SVHC list compliant REACH Annex XVII compliant
- RoHS Declaration	www.tracopower.com/info/rohs-declaration.pdf Exemptions: 7a, 7c-I (RoHS exemptions refer to the component concentration only, not to the overall concentration in the product (O5A rule))
- SCIP Reference Number	814f10c5-0fbd-4350-bd50-90d0539e5374

Supporting Documents

Overview Link (for additional Documents)

www.tracopower.com/overview/tep200wircmf

Outline Dimensions



Pinout	
Pin	Single
1	-Vin (GND)
2	Case
3	Remote On/Off
4	+Vin (Vcc)
5	-Vout
6	-Sense
7	Trim
8	+Sense
9	+Vout

Dimensions in mm (inch)

Tolerances $x.x \pm 0.5$ ($x.xx \pm 0.02$)

$x.xx \pm 0.25$ ($x.xxx \pm 0.01$)

Mounting hole pitch tolerances ± 0.25 (± 0.01)

Screw 2:

Type M5

Head diameter 8.9 (0.350)

Rated current: 65 A

The screw 1 locked torque: max. 5.2 kgfcm / 0.51 Nm

The screw 2 locked torque: max. 16.5 kgfcm / 1.65 Nm

Mounting screw locked torque: max. 11.2 kgfcm / 1.10 Nm