

- High power block with excellent thermal convection
- Operating temperature -40°C to +85°C without derating
- Increased shock & vibration resistance
- Ultra wide 4:1 input voltage range
- EN 50155 approval for railway applications
- Excellent efficiency up to 90%
- Input filter meet EN 55022, class A
- I/O isolation 1591 VAC
- Under voltage lock-out circuit



The TEQ 100WIR Series is a family of isolated high performance DC/DC converter modules with ultra-wide 4:1 input voltage ranges which come in a rugged, sealed metal case.

These converters are suitable for a wide range of applications, but the product is designed particularly also for industrial applications where often no PCB mounting is possible but the module has to be mounted on a chassis. A very high efficiency and the overall heatsink construction allows an operating temperature up to +85°C with natural convection cooling without power derating and up to +95°C with power derating. Further features include output voltage trimming, Remote On/Off and under voltage lockout. The ultra wide input voltage range and reverse input voltage protection make these converters also an interesting solution for battery operated systems.

Models				
Order Code	Input Voltage Range	Output Voltage nom. (adjustable)	Output Current max.	Efficiency typ.
TEQ 100-2412WIR	10 - 36 VDC (24 VDC nom.)	12 VDC (9.6 - 13.2 VDC)	8'400 mA	90 %
TEQ 100-2415WIR		24 VDC (19.2 - 26.4 VDC)	4'200 mA	90 %
TEQ 100-2416WIR		28 VDC (22.4 - 30.8 VDC)	3'600 mA	90 %
TEQ 100-2418WIR		48 VDC (38.4 - 52.8 VDC)	2'100 mA	90 %
TEQ 100-4812WIR	19 - 75 VDC (48 VDC nom.)	12 VDC (9.6 - 13.2 VDC)	8'400 mA	90 %
TEQ 100-4815WIR		24 VDC (19.2 - 26.4 VDC)	4'200 mA	90 %
TEQ 100-4816WIR		28 VDC (22.4 - 30.8 VDC)	3'600 mA	90 %
TEQ 100-4818WIR		48 VDC (38.4 - 52.8 VDC)	2'100 mA	90 %
TEQ 100-7212WIR	43 - 160 VDC (110 VDC nom.)	12 VDC (9.6 - 13.2 VDC)	8'400 mA	89 %
TEQ 100-7215WIR		24 VDC (19.2 - 26.4 VDC)	4'200 mA	90 %
TEQ 100-7216WIR		28 VDC (22.4 - 30.8 VDC)	3'600 mA	90 %
TEQ 100-7218WIR		48 VDC (38.4 - 52.8 VDC)	2'100 mA	90 %

Options	
TEQ-MK1	- Optional DIN-Rail Mounting Kit: www.tracopower.com/products/teq-mk1.pdf

Input Specifications

Input Current	- At no load	24 Vin models: 25 mA typ. 48 Vin models: 20 mA typ. 110 Vin models: 10 mA typ.
Surge Voltage		24 Vin models: 50 VDC max. (1 s max.) 48 Vin models: 100 VDC max. (1 s max.) 110 Vin models: 185 VDC max. (1 s max.)
Under Voltage Lockout		24 Vin models: 7.3 VDC min. / 8 VDC typ. / 8.8 VDC max. 48 Vin models: 15.5 VDC min. / 16.5 VDC typ. / 18 VDC max. 110 Vin models: 33 VDC min. / 35.5 VDC typ. / 38 VDC max.
Recommended Input Fuse		(The need of an external fuse has to be assessed in the final application.)
Input Filter		Internal Common Mode Choke + Pi-Type

Output Specifications

Output Voltage Adjustment		-20% to +10% (By trim potentiometer) Output power must not exceed rated power!
Voltage Set Accuracy		±1% max.
Regulation	- Input Variation (Vmin - Vmax) - Load Variation (0 - 100%)	0.1% max. 0.1% max.
Ripple and Noise (20 MHz Bandwidth)		12 Vout models: 100 mVp-p typ. 24 Vout models: 200 mVp-p typ. 28 Vout models: 200 mVp-p typ. 48 Vout models: 300 mVp-p typ. 12 Vout models: 125 mVp-p max. 24 Vout models: 250 mVp-p max. 28 Vout models: 250 mVp-p max. 48 Vout models: 350 mVp-p max.
Capacitive Load		12 Vout models: 7'000 µF max. 24 Vout models: 1'750 µF max. 28 Vout models: 1'280 µF max. 48 Vout models: 430 µF max.
Minimum Load		Not required
Temperature Coefficient		±0.02 %/K max.
Hold-up Time		10 ms min. (acc. to EN 50155 Class S2, see application note for ext. capacitor calculation: www.tracopower.com/info/holdup_en50155.pdf)
Start-up Time		75 ms typ.
Short Circuit Protection		Continuous, Automatic recovery
Output Current Limitation		120 - 150% of Iout max. (150% typ. for 110 VDC models)
Overvoltage Protection		115 - 130% of Vout nom.
Transient Response	- Response Time	200 µs typ. / 250 µs max. (25% Load Step)

Safety Specifications

Standards	- IT / Multimedia Equipment - Industrial Control Equipment - Railway Applications - Certification Documents	EN 62368-1 IEC 62368-1 UL 62368-1 UL 508 EN 50155 www.tracopower.com/overview/teq100wir
Pollution Degree		PD 2

All specifications valid at nominal voltage, resistive full load and +25°C after warm-up time, unless otherwise stated.

EMC Specifications

EMI Emissions		EN 50121-3-2 (EMC for Rolling Stock)
- Conducted Emissions		EN 55011 class A (internal filter)
		EN 55032 class A (internal filter)
- Radiated Emissions		EN 55011 class A (internal filter)
		EN 55032 class A (internal filter)
EMS Immunity		EN 50121-3-2 (EMC for Rolling Stock)
		EN 55024 (IT Equipment)
		EN 55035 (Multimedia)
		EN 61204-3 (Low Voltage Power Supplies)
- Electrostatic Discharge	Air:	EN 61000-4-2, ± 8 kV, perf. criteria A
	Contact:	EN 61000-4-2, ± 6 kV, perf. criteria A
- RF Electromagnetic Field		EN 61000-4-3, 20 V/m, perf. criteria A
- EFT (Burst) / Surge		EN 61000-4-4, ± 2 kV, perf. criteria A
		EN 61000-4-5, ± 1 kV, perf. criteria A
- Conducted RF Disturbances		EN 61000-4-6, 10 Vrms, perf. criteria A
- PF Magnetic Field	Continuous:	EN 61000-4-8, 100 A/m, perf. criteria A

General Specifications

Relative Humidity		95% max. (non condensing)
Temperature Ranges	- Operating Temperature	-40°C to +95°C
	- Storage Temperature	-40°C to +105°C
Power Derating	- High Temperature	Depending on model
		See application note: www.tracopower.com/overview/teq100wir
Over Temperature Protection Switch Off	- Protection Mode	105°C min. / 110°C typ. / 120°C max. (Automatic recovery)
Cooling System		Natural convection (20 LFM)
Sense Function		10% max. of Vout nom.
Remote Control	- Voltage Controlled Remote	On: 3.0 to 12 VDC or open circuit Off: 0 to 1.2 VDC or short circuit Refers to 'Remote' and '-Vin' Pin
	- Off Idle Input Current	7 mA max.
	- Remote Pin Input Current	-0.5 to 1.0 mA
Altitude During Operation		2'000 m max.
Switching Frequency		300 kHz typ. (PWM) ($\pm 10\%$, 110 VDC models) 250 kHz typ. (PWM) ($\pm 10\%$, other outp. models)
Insulation System		Reinforced Insulation
Working Voltage (rated)		182 VAC
Isolation Test Voltage	- Input to Output, 60 s	2'250 VDC
	- Input to Case, 60 s	1'600 VDC
	- Output to Case, 60 s	1'600 VDC
Isolation Resistance	- Input to Output, 500 VDC	1'000 M Ω min.
Reliability	- Calculated MTBF	711'000 h (MIL-HDBK-217F at 55°C, ground benign)
Environment	- Vibration	MIL-STD-810F EN 61373
	- Mechanical Shock	MIL-STD-810F EN 61373
	- Thermal Shock	MIL-STD-810F
	- Flammability	EN 45545-2 www.tracopower.com/info/en45545-declaration.pdf
Housing Material		Aluminum
Potting Material		Silicone (UL 94 V-0 rated)
Housing Type		Metal Case
Mounting Type		Chassis Mount
Connection Type		Spring Clamps

All specifications valid at nominal voltage, resistive full load and +25°C after warm-up time, unless otherwise stated.

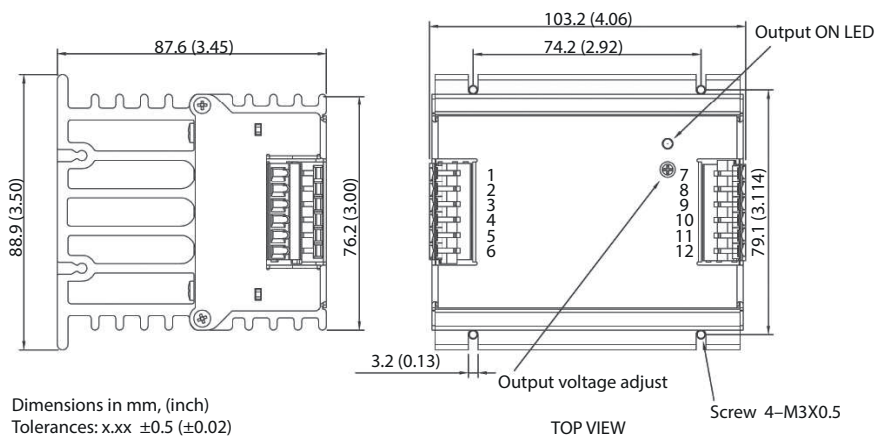
Weight		800 g
Thermal Impedance	- Case to Ambient	1.45 K/W typ.
Environmental Compliance	- REACH Declaration	www.tracopower.com/info/reach-declaration.pdf
	- RoHS Declaration	REACH SVHC list compliant REACH Annex XVII compliant www.tracopower.com/info/rohs-declaration.pdf
	- SCIP Reference Number	Exemptions: 7a, 7c-I (RoHS exemptions refer to the component concentration only, not to the overall concentration in the product (O5A rule)) 31c69351-777e-4083-8770-dc58271d85b9

Supporting Documents

Overview Link (for additional Documents)

www.tracopower.com/overview/teq100wir

Outline Dimensions



Dimensions in mm, (inch)
Tolerances: x.xx ±0.5 (±0.02)
Mounting screw locked torque: max. 5.0 kgfcm / 0.49 Nm

Terminal connection		
Terminal	Pin Function	Recommended Wire
1,2	-Vin	12 AWG
3	NC	-
4	On/Off Ctrl	14 - 18 AWG
5, 6	+Vin	12 AWG
7, 8	-Vout	12 AWG
9	-Sense*	14 - 18 AWG
10	+Sense*	14 - 18 AWG
11, 12	+Vout	12 AWG

NC: No Connection

- * Sense line to be connected to the output either at the module or at the load under regard of polarity.
- The current rating of the terminal block is 15 A/pole.
- Using 2 poles in parallel if the peak output current can exceed 15 A.
- Wire size shall be selected to withstand the peak output current (I_{out max} + Current limitation).