

## Datasheet

Item no. : 1511444

V1\_10092017\_01\_en

### Waterproof Speaker, Neo, 866 mA, 30 x 70 mm, 3W4Ω

#### 1.Item Requirements:

Attribute	Value
1.1 Rate power	3W
1.2 Max power	4W
1.3 Sensitivity	87 ± 3dB(AT 0.1M/0.1W, AT 0.6,0.8,1.0,1.2KHZ)
1.4 Impedance	4 Ω ± 15%
1.5 Frequency	Fo ~ ~ 15KHZ
1.6 Resonance frequency	800 ± 20%
1.7 Distortion rate	≤ 5%
1.8 Magnet size	Φ 12.5*2.5
1.9 Weight	34g ± 8%
2.0 Size	30*70*24Hmm
2.1 voice coil & Material	13.28mm Paper
2.2 Cone	Waterproof

## Datasheet

Item no. : 1511444

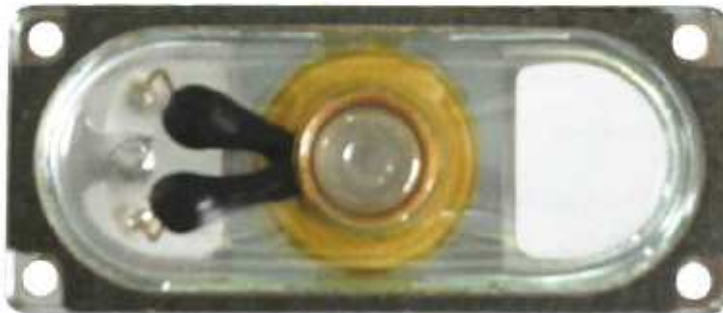
V1\_10092017\_01\_en

---

### 2.Components:

Frame, Pole-piece, U-yoke , wiring board, magnet, cone, voice coil, spiders, dust cap, down-lead, layering

### 3.Pictures:

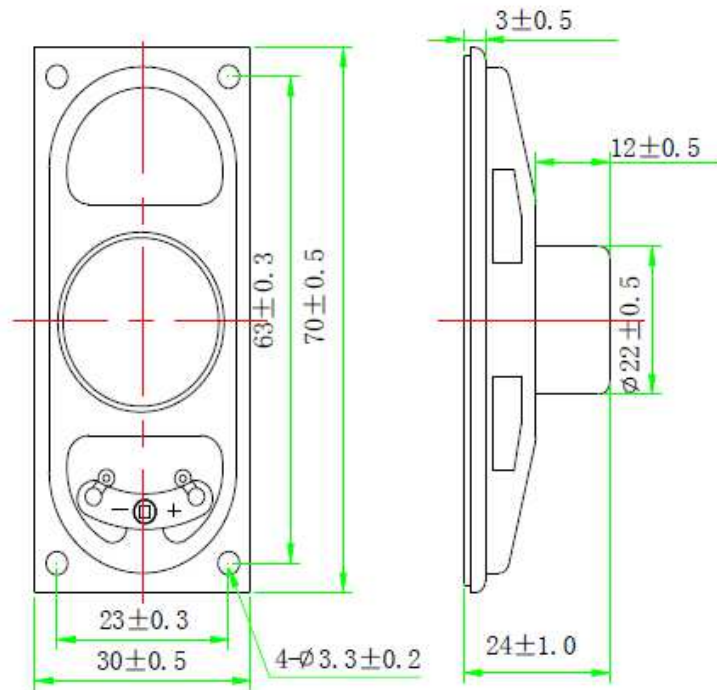


# Datasheet

Item no. : 1511444

V1\_10092017\_01\_en

### 4. Dimensions picture:



### 5.DB picture:

