

Datasheet

Item no. : 1511445

V1_10092017_01_en

Waterproof Speaker, Ferrite, 1600 mA, 50 x 90 mm, 3W8Ω

1.Item Requirements:

Attribute	Value
1.1 Rate power	3W
1.2 Max power	5W
1.3 Sensitivity	87 ± 3dB(AT 0.1M/0.1W, AT 0.6,0.8,1.0,1.2KHZ)
1.4 Impedance	8 Ω ± 15%
1.5 Frequency	Fo ~ ~ 10KHZ
1.6 Resonance frequency	360 ± 20%
1.7 Distortion rate	≤ 5%
1.8 Magnet size	Φ 32*18*6
1.9 Weight	88.5g ± 8%
2.0 Size	50*90*37.5Hmm
2.1 voice coil & Material	Φ 13.28mm Paper
2.2 Cone	Waterproof

Datasheet

Item no. : 1511445

V1_10092017_01_en

2.Components:

Basket, splint, T-yoke, wiring board, magnet, cone, voice coil, spiders, dust cap, down-lead, layering

3.Pictures:

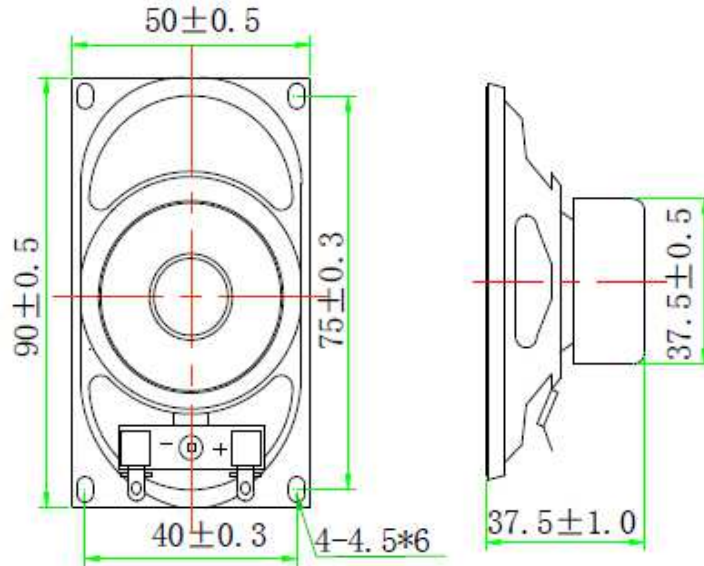


Datasheet

Item no. : 1511445

V1_10092017_01_en

4. Dimensions picture:



5. DB picture:

