

# Datasheet

Item no. : 1511461

V1\_10092017\_01\_en

## Waterproof Speaker, Ferrite, 1580 mA, dia. 102 mm, 10W, 4Ω

### 1.Item Requirements:

Attribute	Value
1.1 Rate power	10W
1.2 Max power	12W
1.3 Sensitivity	91 ± 3dB(AT 0.1M/0.1W, AT 0.6,0.8,1.0,1.2KHZ)
1.4 Impedance	4 ± 15%
1.5 Frequency	Fo ~ ~ 10KHZ
1.6 Resonance frequency	170 ± 20%
1.7 Distortion rate	≤ 5%
1.8 Magnet size	Φ 60*32*10
1.9 Weight	256g ± 8%
2.0 Size	102*102*37Hmm
2.1 voice coil & Material	Φ 19.45mm Aluminum
2.2 Cone	Waterproof

# Datasheet

Item no. : 1511461

V1\_10092017\_01\_en

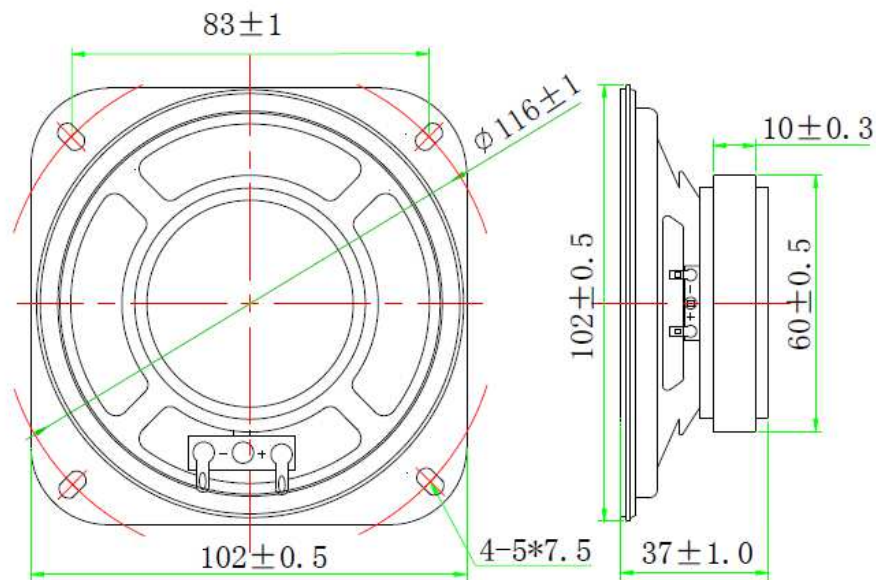
## 2.Components:

Basket, splint, T-yoke, wiring board, magnet, cone, voice coil, spiders, dust cap, down-lead, layering

## 3.Pictures:



## 4.Dimensions picture:



# Datasheet

Item no. : 1511461

V1\_10092017\_01\_en

## 5.DB picture:

