

Datasheet

Item no. : 1511463

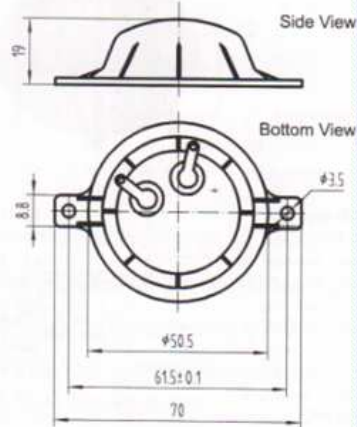
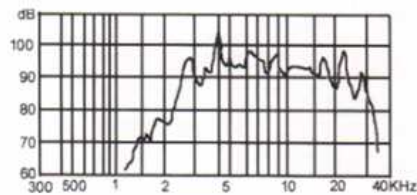
V1_10092017_01_en

Waterproof Mini Buzzer, dia. 51 x 19 mm



| | |
|------------------------|----------------|
| Model No | EFD5119 |
| Rated Voltage | 10Vp-p |
| Max. Allowable Voltage | 30Vp-p |
| Rated Frequency Range | 2.5-60KHz |
| Rated Sensitivity | 92±3dB/w.10cm |
| Resonant Frequency | 3.3±0.5KHz |
| Operating Temperature | -20~+70°C |
| Weight | 10g |

* Value applying at rated voltage



all dimensions are in mm