

SAIE-M12S-8-H5.5TL-M16

Weidmüller Interface GmbH & Co. KG

Klingenbergstraße 16

D-32758 Detmold

Germany

Fon: +49 5231 1429-0

Fax: +49 5231 14292083

www.weidmueller.com

Similar to illustration



Weidmüller is now one of the industry's leading international providers of connectors. An important mainstay in this product family are the circular connectors, which Weidmüller groups under the product name SAI. In the development of SAI products, Weidmüller engineers have always concentrated on achieving rational, cost-effective installation concepts, and – in cooperation with major users – have supplied the markets with well-conceived products which set standards in terms of functionality and quality across the globe. The best examples are the new power distributors with S and T coded M12. These modules are characterised by particularly high currents and voltages. This enables them to also be used, for example, with three-phase motors.

General ordering data

| | |
|------------|--|
| Type | SAIE-M12S-8-H5.5TL-M16 |
| Order No. | 242180000 |
| Version | Built-in plugs, M12, M 16, No. of poles: 8 |
| GTIN (EAN) | 4050118430493 |
| Qty. | 10 pc(s). |

SAIE-M12S-8-H5.5TL-M16**Weidmüller Interface GmbH & Co. KG**

Klingenbergstraße 16

D-32758 Detmold

Germany

Fon: +49 5231 1429-0

Fax: +49 5231 14292083

www.weidmueller.com

Technical data**Dimensions and weights**

Net weight 20 g

Technical data of PCB plug-in connector

| | | | |
|-----------------------|--------------------|--|--|
| Coding | A | Mounting thread | M16 |
| No. of poles | 8 | Type of mounting | Rear panel mounting |
| Rated voltage | | Rated voltage (text) | 250 V (4-pole) / 60 V (5-pole) / 30 V (8-pole) |
| | 30 V | Rated current | 4 A (4- and 5-pole) / 2 A (8-pole) |
| Rated current | 2 A | Protection degree | IP67 |
| Temperature range | -30...+80 °C | Housing main material | CuZn, nickel-plated |
| Contact surface | Au (Gold) | Tightening torque | M12: 0.8 Nm |
| connection thread | M12 | Mounting torque range | 1.2 Nm |
| Mounting thread | M16 | Pollution severity | 3 (2 within the sealed area) |
| Insulation resistance | 100 MΩ | Contact material | CuZn |
| Plugging cycles | ≥ 100 | Material of the flange-mounted housing | Nickel-plated CuZn |
| Lock nut material | Nickel-plated CuZn | | |

Material data

Contact material CuZn Contact surface Au (Gold)

System parameters

| | | | |
|-----------------------|--------|-----------------|-------|
| Insulation resistance | 100 MΩ | No. of poles | 8 |
| Pin series quantity | 1 | Plugging cycles | ≥ 100 |
| Protection degree | IP67 | | |

Classifications

| | | | |
|------------|-------------|------------|-------------|
| ETIM 6.0 | EC002638 | eClass 6.2 | 27-26-07-02 |
| eClass 9.1 | 27-44-03-09 | | |

Approvals

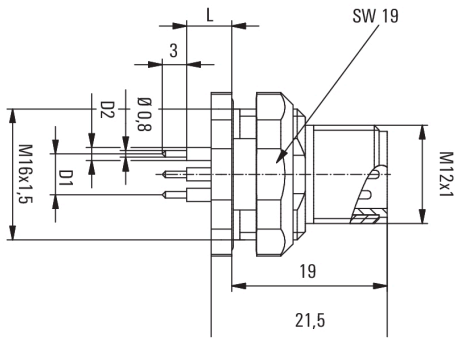
ROHS Conform

SAIE-M12S-8-H5.5TL-M16

Weidmüller Interface GmbH & Co. KG
 Klingenbergstraße 16
 D-32758 Detmold
 Germany
 Fon: +49 5231 1429-0
 Fax: +49 5231 14292083
 www.weidmueller.com

Drawings

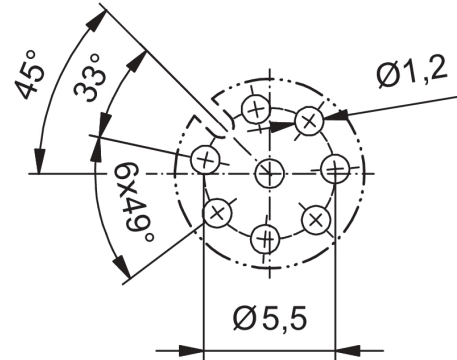
Dimensioned drawing



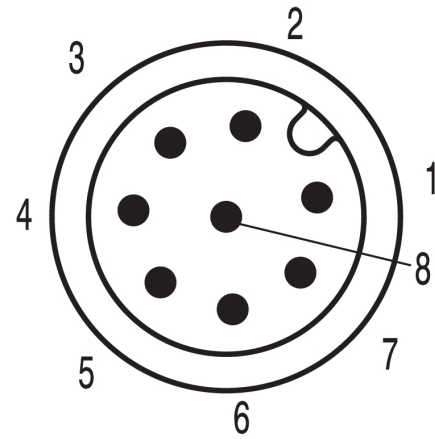
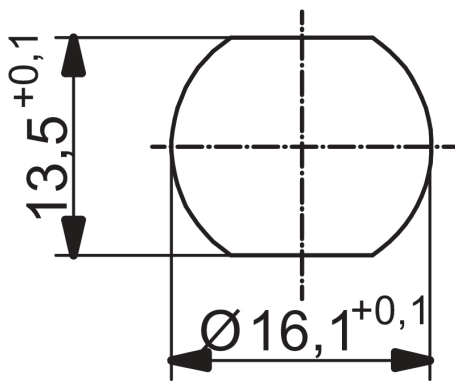
L (board-to-board distance) = 5.5mm

Front panel section D1 = 5,5 mm
 D2 = 14 mm

PCB design



Pole scheme



M12 = A-coded