

Industrial Ethernet IE-FC-SET-IPDEK001-KY-P

Weidmüller Interface GmbH & Co. KG

Klingenbergstraße 16

D-32758 Detmold

Germany

Fon: +49 5231 1429-0

Fax: +49 5231 14292083

www.weidmueller.com



FrontCom® Vario integrates multiple functions in only one single frame. The system is easy to install and you can select from a wide range of data, signal and power modules. In addition to being extremely compact, FrontCom® Vario offers a number of unique product features that will make your project planning and work activities secure, fast and future-proof. Furthermore, the FrontCom® Vario system has an attractive housing design that, by the way, offers highest impact-resistance and fully meets the requirements of IP 65 protection class.

General ordering data

Type	IE-FC-SET-IPDEK001-KY-P
Order No.	1543680000
Version	FrontCom, Set
GTIN (EAN)	4050118348842
Qty.	1 pc(s).
Reference product	1450520000 1450630000 1450730000 1019570000 1962840000 1450820000

**Industrial Ethernet
IE-FC-SET-IPDEK001-KY-P**

Weidmüller Interface GmbH & Co. KG
Klingenbergstraße 16
D-32758 Detmold
Germany
Fon: +49 5231 1429-0
Fax: +49 5231 14292083
www.weidmueller.com

Technical data

Dimensions and weights

Net weight 495.44 g

Temperatures

Operating temperature _____ Storage temperature _____
Installation temperature _____

General data

Material cover Polycarbonate PC Product type Set
Protection degree IP65, in closed state

Technical data

Data inserts	USB 2.0 A/A, RJ45 coupling Cat.6 _A	Frame	Plastic cover, Lockable with key
Insert plate	2x data, 1x power, Unshielded	Power inserts	Socket DE
Protection degree	IP65, in closed state	Rated current for socket	16 A
Rated voltage for socket	250 V		

Standards

Certificate No. (GERMLLOYD) 13866-15

Classifications

ETIM 5.0	EC000456	ETIM 6.0	EC001031
UNSPSC	31-16-23-03	eClass 6.2	27-25-05-04
eClass 7.1	27-18-92-17	eClass 8.1	27-18-92-17
eClass 9.0	27-18-92-17	eClass 9.1	27-18-27-90

Approvals

Approvals



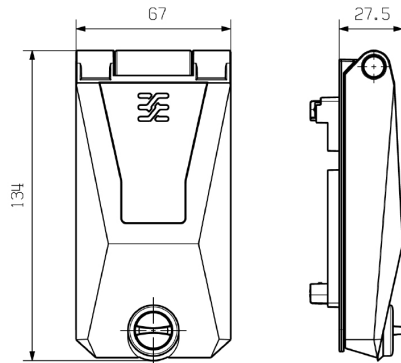
ROHS Conform

Data sheet

**Industrial Ethernet
IE-FC-SET-IPDEK001-KY-P**

Weidmüller Interface GmbH & Co. KG
Klingenbergstraße 16
D-32758 Detmold
Germany
Fon: +49 5231 1429-0
Fax: +49 5231 14292083
www.weidmueller.com

Drawings



**Industrial Ethernet
IE-FC-SFP-KEY**

Weidmüller Interface GmbH & Co. KG
Klingenbergstraße 16
D-32758 Detmold
Germany
Fon: +49 5231 1429-0
Fax: +49 5231 14292083
www.weidmueller.com



FrontCom® Vario integrates multiple functions in only one single frame. The system is easy to install and you can select from a wide range of data, signal and power modules. In addition to being extremely compact, FrontCom® Vario offers a number of unique product features that will make your project planning and work activities secure, fast and future-proof. Furthermore, the FrontCom® Vario system has an attractive housing design that, by the way, offers highest impact-resistance and fully meets the requirements of IP 65 protection class.

General ordering data

Type	IE-FC-SFP-KEY
Order No.	1450520000
Version	FrontCom, Frame, Plastic cover, Lockable with key
GTIN (EAN)	4050118255232
Qty.	1 pc(s).

Data sheet

**Industrial Ethernet
IE-FC-SFP-KEY**

Weidmüller Interface GmbH & Co. KG
 Klingenbergstraße 16
 D-32758 Detmold
 Germany
 Fon: +49 5231 1429-0
 Fax: +49 5231 14292083
 www.weidmueller.com

Technical data

Dimensions and weights

Length	134 mm	Length (inches)	5.276 inch
Width	67 mm	Width (inches)	2.638 inch
Height	27.5 mm	Height (inches)	1.083 inch
Wall thickness, max.	5 mm	Wall thickness, min.	1 mm
Net weight	358 g		

Temperatures

Operating temperature	-40 °C...70 °C	Storage temperature	
Installation temperature			

General data

Material cover	Polycarbonate PC	Material frame	Zinc diecast
Product type	Frame, Plastic cover, Lockable with key	Protection degree	IP65, in closed state

Standards

Certificate No. (GERMLLOYD)	13866-15
-----------------------------	----------

Classifications

ETIM 5.0	EC000456	ETIM 6.0	EC001031
UNSPSC	31-16-23-03	eClass 6.2	27-25-05-04
eClass 7.1	27-18-92-17	eClass 8.1	27-18-92-17
eClass 9.0	27-18-92-17	eClass 9.1	27-18-27-90

Approvals

Approvals



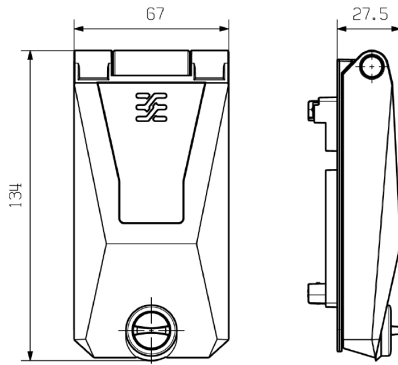
ROHS	Conform
------	---------

**Industrial Ethernet
IE-FC-SFP-KEY**

Weidmüller Interface GmbH & Co. KG
 Klingenbergstraße 16
 D-32758 Detmold
 Germany
 Fon: +49 5231 1429-0
 Fax: +49 5231 14292083
 www.weidmueller.com

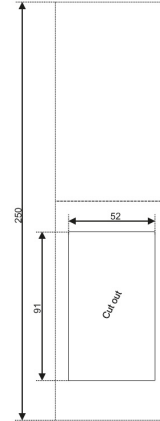
Drawings

Dimensioned drawing



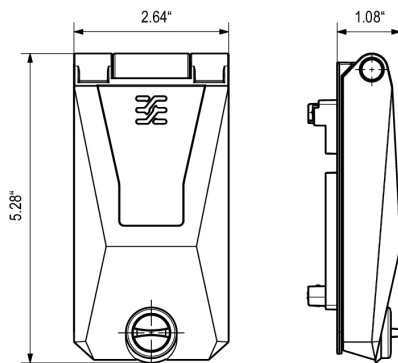
Unit: mm

Installation cut-out



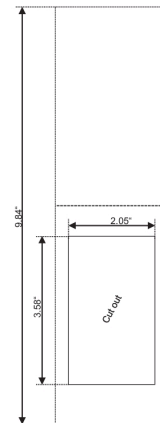
Unit: mm

Dimensioned drawing



Unit: in

Installation cut-out



Unit: in

**Industrial Ethernet
IE-FC-SFP-KEY**

Weidmüller Interface GmbH & Co. KG
 Klingenbergstraße 16
 D-32758 Detmold
 Germany
 Fon: +49 5231 1429-0
 Fax: +49 5231 14292083
 www.weidmueller.com

Accessories

Blank, adhesive backing



SM is a MultiCard marker for labelling control and signalling devices. The tags are clipped into the carriers or attached by means of the adhesive film already fitted to them. Customised tags can be created with the PrintJet PRO, MCP Plus plotter, MCP Basic or MC-Mobilo marking systems.

- Users can quickly produce tags to suit their needs
- No need to stock expensive standard tags
- Highly resistant printing quality when using the PrintJet as a substitute for engraving
- For extreme demands, we recommend the ETO SM protective film
- Holders can be used for the 22-mm-diameter push-buttons from Siemens, ABB, Moeller and Télémécanique

General ordering data

Type	Order No.	Version	GTIN (EAN)	Qty.
SM 27/18 K MC NE WS	1707270000	SwitchMark, Device markers, x 27 mm, White	4008190925116 80	pc(s).
SM 27/18 K MC NE GR	1073340000	SwitchMark, Device markers, x 27 mm, Grey	4032248831425 80	pc(s).
2014-12-31T08:00:00+01:00 SM 27/18 K MC NE SI	1713760000	SwitchMark, Device markers, x 27 mm, Silver	4008190331177 80	pc(s).

**Industrial Ethernet
IE-FC-SFP-KEY**

Weidmüller Interface GmbH & Co. KG
 Klingenbergstraße 16
 D-32758 Detmold
 Germany
 Fon: +49 5231 1429-0
 Fax: +49 5231 14292083
 www.weidmueller.com

Accessories
Blank


ESG is the tried-and-tested marker in MultiCard format for use on many well-known electrical devices. The result is high-quality device marking with a high-contrast appearance.

Various types are available for devices from the following manufacturers:

- Siemens
- Télémecanique
- ABB
- Beckhoff
- Lumberg
- Tags for all-purpose usage; self-adhesive or clip-on tags, depending on the type

Advantages at a glance:

- Tags for universal usage, self-adhesive or clip-on tags, depending on type
- For aligned equipment, e.g. circuit breakers, we supply ESG markers for clipping onto tag rails
- Individual laser-quality printing according to specifications

Please note that these markers are not intended for printing with the SpeedMarking laser.

General ordering data

Type	Order No.	Version	GTIN (EAN)	Qty.
ESG 7/20	1736181044	ESG, Device markers, 20	4008190985950	200 pc(s).
SIRIUS MC NE		x 7 mm, Polyamide 66,		
WS		Colour: White, pluggable		

Accessories

Accessories

FrontCom® Vario integrates multiple functions in only one single frame. The system is easy to install and you can select from a wide range of data, signal and power modules. In addition to being extremely compact, FrontCom® Vario offers a number of unique product features that will make your project planning and work activities secure, fast and future-proof. Furthermore, the FrontCom® Vario system has an attractive housing design that, by the way, offers highest impact-resistance and fully meets the requirements of IP 65 protection class.

General ordering data

Type	Order No.	Version	GTIN (EAN)	Qty.
IE-FC-PWPC	1450820000	FrontCom, Touch-safe protection	4050118255584	1 pc(s).
IE-FC-KEY	1465930000	FrontCom, Spare key	4050118272314	1 pc(s).

Industrial Ethernet IE-FC-IP-PWB/2ST

Weidmüller Interface GmbH & Co. KG
 Klingenbergstraße 16
 D-32758 Detmold
 Germany
 Fon: +49 5231 1429-0
 Fax: +49 5231 14292083
 www.weidmueller.com



FrontCom® Vario integrates multiple functions in only one single frame. The system is easy to install and you can select from a wide range of data, signal and power modules. In addition to being extremely compact, FrontCom® Vario offers a number of unique product features that will make your project planning and work activities secure, fast and future-proof. Furthermore, the FrontCom® Vario system has an attractive housing design that, by the way, offers highest impact-resistance and fully meets the requirements of IP 65 protection class.

General ordering data

Type	IE-FC-IP-PWB/2ST
Order No.	1450630000
Version	FrontCom, Insert plate, unshielded, 1x Power, 2x Data
GTIN (EAN)	4050118255515
Qty.	1 pc(s).

**Industrial Ethernet
IE-FC-IP-PWB/2ST**

Weidmüller Interface GmbH & Co. KG
 Klingenbergstraße 16
 D-32758 Detmold
 Germany
 Fon: +49 5231 1429-0
 Fax: +49 5231 14292083
 www.weidmueller.com

Technical data**Dimensions and weights**

Length	90 mm	Length (inches)	3.543 inch
Width	51 mm	Width (inches)	2.008 inch
Height	23 mm	Height (inches)	0.906 inch
Net weight	19 g		

Temperatures

Operating temperature	-40 °C...70 °C	Storage temperature	
Installation temperature			

General data

Material	Polycarbonate PC	Product type	Insert plate, unshielded
----------	------------------	--------------	--------------------------

Inserts

Insert Power large	1	Insert, data	2
--------------------	---	--------------	---

Standards

Certificate No. (GERMLLOYD)	13866-15	Certificate No. (cURus)	E223801
-----------------------------	----------	-------------------------	---------

Classifications

ETIM 5.0	EC000456	ETIM 6.0	EC000456
UNSPSC	31-16-23-03	eClass 6.2	27-25-05-04
eClass 7.1	27-18-92-17	eClass 8.1	27-18-92-17
eClass 9.0	27-18-92-17	eClass 9.1	27-18-92-90

Approvals

Approvals



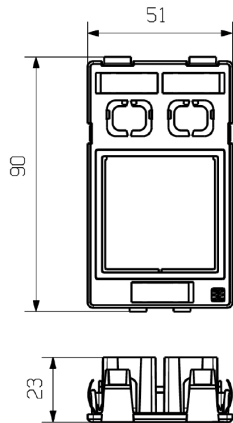
ROHS Conform

**Industrial Ethernet
IE-FC-IP-PWB/2ST**

Weidmüller Interface GmbH & Co. KG
Klingenbergstraße 16
D-32758 Detmold
Germany
Fon: +49 5231 1429-0
Fax: +49 5231 14292083
www.weidmueller.com

Drawings

Dimensioned drawing



Industrial Ethernet IE-FC-IP-PWB/2ST

Weidmüller Interface GmbH & Co. KG
Klingenbergstraße 16
D-32758 Detmold
Germany
Fon: +49 5231 1429-0
Fax: +49 5231 14292083
www.weidmueller.com

Accessories

USB



FrontCom® Vario integrates multiple functions in only one single frame. The system is easy to install and you can select from a wide range of data, signal and power modules. In addition to being extremely compact, FrontCom® Vario offers a number of unique product features that will make your project planning and work activities secure, fast and future-proof. Furthermore, the FrontCom® Vario system has an attractive housing design that, by the way, offers highest impact-resistance and fully meets the requirements of IP 65 protection class.

General ordering data

Type	Order No.	Version	GTIN (EAN)	Qty.
IE-BI-USB-A	1019570000	USB insert, Flange insert, type A	4032248731602	10 pc(s).
IE-BI-USB-AB	1131380000	USB insert, Flange insert, type AB	4032248911844	10 pc(s).
IE-BI-USB-3.0-A	1487920000	USB insert, Flange insert, type A	4050118298208	1 pc(s).

Power sockets



Power - sockets

FrontCom® Vario integrates multiple functions in only one single frame. The system is easy to install and you can select from a wide range of data, signal and power modules. In addition to being extremely compact, FrontCom® Vario offers a number of unique product features that will make your project planning and work activities secure, fast and future-proof. Furthermore, the FrontCom® Vario system has an attractive housing design that, by the way, offers highest impact-resistance and fully meets the requirements of IP 65 protection class.

General ordering data

Type	Order No.	Version	GTIN (EAN)	Qty.
IE-FCI-PWB-DE	1450730000	FrontCom, Insert Power large, Socket, DE	4050118255546	1 pc(s).
IE-FCI-PWS-IT	1450810000	FrontCom, Insert Power small, Socket, IT	4050118255720	1 pc(s).
IE-FCI-PWB-AU	1450830000	FrontCom, Insert Power large, Socket, AU, 15 A	4050118255591	1 pc(s).
IE-FCI-PWB-GB	1450770000	FrontCom, Insert Power large, Socket, GB	4050118255577	1 pc(s).
IE-FCI-PWS-EU	1450740000	FrontCom, Insert Power small, Socket, EU	4050118255379	1 pc(s).
IE-FCI-PWB-CH	1450780000	FrontCom, Insert Power large, Socket, CH	4050118255553	1 pc(s).
IE-FCI-PWB-CN	1450790000	FrontCom, Insert Power large, Socket, CN	4050118255386	1 pc(s).

**Industrial Ethernet
IE-FC-IP-PWB/2ST**

Weidmüller Interface GmbH & Co. KG
Klingenbergstraße 16
D-32758 Detmold
Germany
Fon: +49 5231 1429-0
Fax: +49 5231 14292083
www.weidmueller.com

Accessories

IE-FCI-PWB- AU-10A	1546590000	FrontCom, Insert Power large, Socket, AU, 10 A	4050118351842 1 pc(s).
IE-FCI-PWB- DE-OR	1554000000	FrontCom, Insert Power large, Socket, DE, orange	4050118360806 1 pc(s).
IE-FCI-PWB-FR	1450750000	FrontCom, Insert Power large, Socket, FR	4050118255706 1 pc(s).
IE-FCI-PWB- MC	1529570000	FrontCom, Insert Power large, Socket, Multi-contact, EU, US, CN, GB, IND	4050118334517 1 pc(s).

Blank



ESG is the tried-and-tested marker in MultiCard format for use on many well-known electrical devices. The result is high-quality device marking with a high-contrast appearance. Various types are available for devices from the following manufacturers:

- Siemens
- Télémecanique
- ABB
- Beckhoff
- Lumberg
- Tags for all-purpose usage; self-adhesive or clip-on tags, depending on the type

Advantages at a glance:

- Tags for universal usage, self-adhesive or clip-on tags, depending on type
- For aligned equipment, e.g. circuit breakers, we supply ESG markers for clipping onto tag rails
- Individual laser-quality printing according to specifications

Please note that these markers are not intended for printing with the SpeedMarking laser.

General ordering data

Type	Order No.	Version	GTIN (EAN)	Qty.
ESG 7/20	1736181044	ESG, Device markers, 20	4008190985950	200 pc(s).
SIRIUS MC NE		x 7 mm, Polyamide 66,		
WS		Colour: White, pluggable		

Industrial Ethernet IE-FC-IP-PWB/2ST

Weidmüller Interface GmbH & Co. KG
Klingenbergstraße 16
D-32758 Detmold
Germany
Fon: +49 5231 1429-0
Fax: +49 5231 14292083
www.weidmueller.com

Accessories

RCBO



RCBO

FrontCom® Vario integrates multiple functions in only one single frame. The system is easy to install and you can select from a wide range of data, signal and power modules. In addition to being extremely compact, FrontCom® Vario offers a number of unique product features that will make your project planning and work activities secure, fast and future-proof. Furthermore, the FrontCom® Vario system has an attractive housing design that, by the way, offers highest impact-resistance and fully meets the requirements of IP 65 protection class.

General ordering data

Type	Order No.	Version	GTIN (EAN)	Qty.
IE-FC-IP-PWB-RCBO	1534250000	FrontCom, Insert Power large, RCBO	4050118337938	1 pc(s).

RJ45



FrontCom® Vario integrates multiple functions in only one single frame. The system is easy to install and you can select from a wide range of data, signal and power modules. In addition to being extremely compact, FrontCom® Vario offers a number of unique product features that will make your project planning and work activities secure, fast and future-proof. Furthermore, the FrontCom® Vario system has an attractive housing design that, by the way, offers highest impact-resistance and fully meets the requirements of IP 65 protection class.

General ordering data

Type	Order No.	Version	GTIN (EAN)	Qty.
IE-BI-RJ45-C	1962840000	RJ45 insert, Bulkhead inserts coupler	4032248645046	10 pc(s).
IE-BI-RJ45-FJ-B	1963840000	RJ45 insert, Bulkhead inserts AWG 22, EIA / TIA 586 B, TIA-568B	4032248651894	10 pc(s).
IE-BI-RJ45-FJ-P	1963830000	RJ45 insert, Bulkhead inserts AWG 22, PROFINET, PROFINET	4032248646159	10 pc(s).
IE-BI-RJ45-FJ-A	1962850000	RJ45 insert, Bulkhead inserts AWG 22, EIA / TIA 586 A, TIA-568A	4032248645053	10 pc(s).

**Industrial Ethernet
IE-FC-IP-PWB/2ST**

Weidmüller Interface GmbH & Co. KG
 Klingenbergstraße 16
 D-32758 Detmold
 Germany
 Fon: +49 5231 1429-0
 Fax: +49 5231 14292083
 www.weidmueller.com

Accessories

Accessories



Accessories

FrontCom® Vario integrates multiple functions in only one single frame. The system is easy to install and you can select from a wide range of data, signal and power modules. In addition to being extremely compact, FrontCom® Vario offers a number of unique product features that will make your project planning and work activities secure, fast and future-proof. Furthermore, the FrontCom® Vario system has an attractive housing design that, by the way, offers highest impact-resistance and fully meets the requirements of IP 65 protection class.

General ordering data

Type	Order No.	Version	GTIN (EAN)	Qty.
IE-FC-PWPC	1450820000	FrontCom, Touch-safe protection	4050118255584	1 pc(s).

Industrial Ethernet IE-FCI-PWB-DE

Weidmüller Interface GmbH & Co. KG

Klingenbergstraße 16

D-32758 Detmold

Germany

Fon: +49 5231 1429-0

Fax: +49 5231 14292083

www.weidmueller.com



FrontCom® Vario integrates multiple functions in only one single frame. The system is easy to install and you can select from a wide range of data, signal and power modules. In addition to being extremely compact, FrontCom® Vario offers a number of unique product features that will make your project planning and work activities secure, fast and future-proof. Furthermore, the FrontCom® Vario system has an attractive housing design that, by the way, offers highest impact-resistance and fully meets the requirements of IP 65 protection class.

General ordering data

Type	IE-FCI-PWB-DE
Order No.	1450730000
Version	FrontCom, Insert Power large, Socket, DE
GTIN (EAN)	4050118255546
Qty.	1 pc(s).

**Industrial Ethernet
IE-FCI-PWB-DE**

Weidmüller Interface GmbH & Co. KG
 Klingenbergstraße 16
 D-32758 Detmold
 Germany
 Fon: +49 5231 1429-0
 Fax: +49 5231 14292083
 www.weidmueller.com

Technical data
Dimensions and weights

Weight	37 g	Net weight	35.2 g
--------	------	------------	--------

Temperatures

Operating temperature	-5 °C...50 °C	Storage temperature	-10 °C...70 °C
Installation temperature			

Technical data

Housing main material	Polycarbonate PC	Rated current	16 A
Rated voltage (AC)	250 V		

General data

Insert type	Insert Power large	Protection degree	IP20
-------------	--------------------	-------------------	------

Clampable conductors

Conductor connection cross-section, extremely flexible with wire end ferrule	1.5 ... 1.5 mm ²	Conductor connection cross-section, extremely flexible without wire end ferrule	1.5 ... 2.5 mm ²
Conductor connection cross-section, flexible with wire end ferrule	1.5 ... 1.5 mm ²	Conductor connection cross-section, flexible without wire end ferrule	1.5 ... 2.5 mm ²
Conductor connection cross-section, rigid	1.5 ... 2.5 mm ²	Stripping length	10 mm
Type of connection	PUSH IN		

Standards

Certificate No. (GERMLLOYD)	13866-15
-----------------------------	----------

Classifications

ETIM 5.0	EC000456	ETIM 6.0	EC001121
UNSPSC	31-16-23-03	eClass 6.2	27-26-12-90
eClass 7.1	27-18-92-17	eClass 8.1	27-18-92-17
eClass 9.0	27-18-92-17		

Approvals

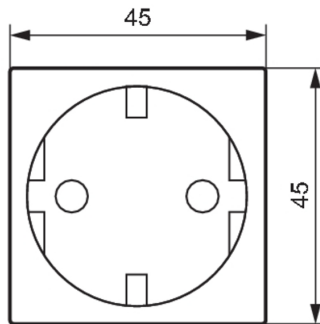
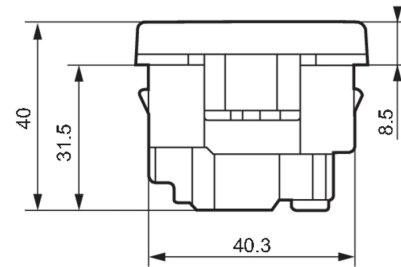
Approvals



ROHS	Conform
------	---------

**Industrial Ethernet
IE-FCI-PWB-DE**

Weidmüller Interface GmbH & Co. KG
Klingenbergstraße 16
D-32758 Detmold
Germany
Fon: +49 5231 1429-0
Fax: +49 5231 14292083
www.weidmueller.com

Drawings**Dimensioned drawing****Dimensioned drawing**

**Industrial Ethernet
IE-BI-USB-A**

Weidmüller Interface GmbH & Co. KG
Klingenbergstraße 16
D-32758 Detmold
Germany
Fon: +49 5231 1429-0
Fax: +49 5231 14292083
www.weidmueller.com



FrontCom® Vario integrates multiple functions in only one single frame. The system is easy to install and you can select from a wide range of data, signal and power modules. In addition to being extremely compact, FrontCom® Vario offers a number of unique product features that will make your project planning and work activities secure, fast and future-proof. Furthermore, the FrontCom® Vario system has an attractive housing design that, by the way, offers highest impact-resistance and fully meets the requirements of IP 65 protection class.

General ordering data

Type	IE-BI-USB-A
Order No.	1019570000
Version	USB insert, Flange insert, type A
GTIN (EAN)	4032248731602
Qty.	10 pc(s).

**Industrial Ethernet
IE-BI-USB-A**

Weidmüller Interface GmbH & Co. KG
Klingenbergstraße 16
D-32758 Detmold
Germany
Fon: +49 5231 1429-0
Fax: +49 5231 14292083
www.weidmueller.com

Technical data

Dimensions and weights

Net weight 15.6 g

Temperatures

Humidity	0...93 % rel. humidity	Operating temperature	-40 °C...70 °C
Storage temperature		Installation temperature	

Technical data

Contact resistance	≤ 30 mΩ	Housing main material	PC UL 94 V0
Insulation resistance	≥ 1000 MΩ		

General data

Insert type	Insert data SteadyTec	Product type	USB insert
Protection degree	IP67 with housing		

General Info

Connection 1	USB A	Connection 2	USB A
Description of article	Flange insert, type A	Wiring	Type A
Colour	Black	Humidity	0...93 % rel. humidity
Housing main material	PC UL 94 V0	Shielding	360° all-round enclosure
Protection degree	IP67 with housing	Plugging cycles	≥ 1500

Electrical properties

Contact resistance	≤ 30 mΩ	Current-carrying capacity at 50 °C	1 A
Dielectric strength, contact / shield	≥ 500 V DC	Insulation resistance	≥ 1000 MΩ

Standards

Connector standard	IEC 61076-3-107	Certificate No. (GERMLLOYD)	13866-15
--------------------	-----------------	-----------------------------	----------

Classifications

ETIM 3.0	EC000674	ETIM 4.0	EC000674
ETIM 5.0	EC000674	ETIM 6.0	EC001121
eClass 5.1	27-25-05-04	eClass 6.2	27-25-05-04
eClass 7.1	27-25-05-04	eClass 8.1	19-17-01-25
eClass 9.0	19-17-01-25	eClass 9.1	27-44-09-90

Approvals

Approvals



ROHS Conform

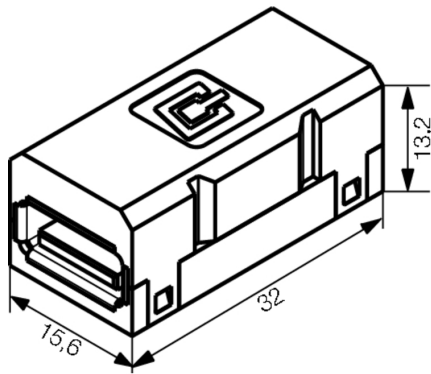
Data sheet

**Industrial Ethernet
IE-BI-USB-A**

Weidmüller Interface GmbH & Co. KG
Klingenbergstraße 16
D-32758 Detmold
Germany
Fon: +49 5231 1429-0
Fax: +49 5231 14292083
www.weidmueller.com

Drawings

Dimensioned drawing



Industrial Ethernet IE-BI-RJ45-C

Weidmüller Interface GmbH & Co. KG

Klingenbergstraße 16

D-32758 Detmold

Germany

Fon: +49 5231 1429-0

Fax: +49 5231 14292083

www.weidmueller.com



FrontCom® Vario integrates multiple functions in only one single frame. The system is easy to install and you can select from a wide range of data, signal and power modules. In addition to being extremely compact, FrontCom® Vario offers a number of unique product features that will make your project planning and work activities secure, fast and future-proof. Furthermore, the FrontCom® Vario system has an attractive housing design that, by the way, offers highest impact-resistance and fully meets the requirements of IP 65 protection class.

General ordering data

Type	IE-BI-RJ45-C
Order No.	1962840000
Version	RJ45 insert, Bulkhead inserts coupler
GTIN (EAN)	4032248645046
Qty.	10 pc(s).

**Industrial Ethernet
IE-BI-RJ45-C**

Weidmüller Interface GmbH & Co. KG
 Klingenbergstraße 16
 D-32758 Detmold
 Germany
 Fon: +49 5231 1429-0
 Fax: +49 5231 14292083
 www.weidmueller.com

Technical data**Dimensions and weights**

Net weight	23 g
------------	------

Temperatures

Operating temperature	-40 °C...70 °C	Storage temperature	
Installation temperature			

Technical data

Contact surface	Gold over nickel, Au ≥ 0.8 µm	Housing main material	Zinc diecast
-----------------	-------------------------------	-----------------------	--------------

General data

Insert type	Insert data SteadyTec	Product type	RJ45 insert
Protection degree	IP67 with housing		

General data

Connection 1	RJ45	Connection 2	RJ45
Description of article	Bulkhead inserts coupler	Colour	Miscellaneous
Housing main material	Zinc diecast	Speed	10 GBit/s
Category	Cat.6A / Class EA (ISO/IEC 11801:2010)	Contact surface	Gold over nickel, Au ≥ 0.8 µm
Shielding	360° all-round enclosure	Protection degree	IP67 with housing
Plugging cycles	750		

Electrical properties

PoE / PoE+	conforming to IEEE 802.3af
------------	----------------------------

Standards

Generic communication cable facilities	ANSI / TIA / EIA-568-B.2-10, DIN EN 61918 Draft 02.2007, EN 50173-1:2007, ISO / IEC 11801:2002, ISO / IEC 24702:2006	IP protection classes	IEC 60529
Connector standard	IEC 60603-7-51	UL standard for communication accessories	UL 1863
Certificate No. (GERMLLOYD)	13866-15	Certificate no. (cULus)	E316369

Downloads

Attestation of conformity ISO/IEC EN & TIA/EIA Screened Class E Category 6, 3 connector permanent link	ac107534.pdf	Attestation of conformity ISO/IEC EN & TIA/EIA Screened Class E Category 6, 4 connector channel	ac107533.pdf
Attestation of conformity ISO/IEC EN & TIA/EIA Screened Class EA Category 6A, 2 connector channel	ac107535.pdf	Attestation of conformity ISO/IEC EN & TIA/EIA Screened Class EA Category 6A, 4 connector channel	z1755b-07-E.pdf
CC-Link certification	CC-Link IE-BI-RJ45-C.PDF	GOST Approval	POCC DE.ME25.B01411.pdf
PROFINET Manufacturer's Declaration	PN Manufacturer Declaration.pdf	UL Approval	DUXR.E316369.pdf

Data sheet

**Industrial Ethernet
IE-BI-RJ45-C**

Weidmüller Interface GmbH & Co. KG
 Klingenbergstraße 16
 D-32758 Detmold
 Germany
 Fon: +49 5231 1429-0
 Fax: +49 5231 14292083
 www.weidmueller.com

Technical data

Classifications

ETIM 3.0	EC001121	ETIM 4.0	EC001121
ETIM 5.0	EC001121	ETIM 6.0	EC001121
UNSPSC	30-21-18-01	eClass 5.1	27-14-40-17
eClass 6.2	27-25-05-04	eClass 7.1	27-25-05-04
eClass 8.1	19-17-01-25	eClass 9.0	19-17-01-25
eClass 9.1	27-44-09-90		

Approvals

Approvals



ROHS

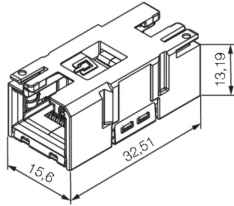
Conform

**Industrial Ethernet
IE-BI-RJ45-C**

Weidmüller Interface GmbH & Co. KG
Klingenbergstraße 16
D-32758 Detmold
Germany
Fon: +49 5231 1429-0
Fax: +49 5231 14292083
www.weidmueller.com

Drawings

Dimensioned drawing



**Industrial Ethernet
IE-FC-PWPC****Weidmüller Interface GmbH & Co. KG**

Klingenbergstraße 16

D-32758 Detmold

Germany

Fon: +49 5231 1429-0

Fax: +49 5231 14292083

www.weidmueller.com



FrontCom® Vario integrates multiple functions in only one single frame. The system is easy to install and you can select from a wide range of data, signal and power modules. In addition to being extremely compact, FrontCom® Vario offers a number of unique product features that will make your project planning and work activities secure, fast and future-proof. Furthermore, the FrontCom® Vario system has an attractive housing design that, by the way, offers highest impact-resistance and fully meets the requirements of IP 65 protection class.

General ordering data

Type	IE-FC-PWPC
Order No.	1450820000
Version	FrontCom, Touch-safe protection
GTIN (EAN)	4050118255584
Qty.	1 pc(s).

Data sheet

**Industrial Ethernet
IE-FC-PWPC**

Weidmüller Interface GmbH & Co. KG
 Klingenbergstraße 16
 D-32758 Detmold
 Germany
 Fon: +49 5231 1429-0
 Fax: +49 5231 14292083
 www.weidmueller.com

Technical data

Dimensions and weights

Length	47.5 mm	Length (inches)	1.87 inch
Width	47.5 mm	Width (inches)	1.87 inch
Height	45 mm	Height (inches)	1.772 inch
Net weight	19.18 g		

Temperatures

Operating temperature	Storage temperature
Installation temperature	

General data

Material	PC	Product type	Touch-safe protection
----------	----	--------------	-----------------------

Standards

Certificate No. (GERMLLOYD)	13866-15
-----------------------------	----------

Classifications

ETIM 5.0	EC000456	ETIM 6.0	EC002498
UNSPSC	31-16-23-03	eClass 6.2	27-25-92-07
eClass 7.1	27-18-92-17	eClass 8.1	27-18-92-17
eClass 9.0	27-18-92-17	eClass 9.1	27-18-92-90

Approvals

Approvals	
ROHS	Conform

**Industrial Ethernet
IE-FC-PWPC**

Weidmüller Interface GmbH & Co. KG
Klingenbergstraße 16
D-32758 Detmold
Germany
Fon: +49 5231 1429-0
Fax: +49 5231 14292083
www.weidmueller.com

Drawings

Dimensioned drawing

