

SAIE-M12B-4-H12TL-PG9

Weidmüller Interface GmbH & Co. KG

Klingenbergstraße 16

D-32758 Detmold

Germany

Fon: +49 5231 1429-0

Fax: +49 5231 14292083

www.weidmueller.com

Similar to illustration



Weidmüller is now one of the industry's leading international providers of connectors. An important mainstay in this product family are the circular connectors, which Weidmüller groups under the product name SAI. In the development of SAI products, Weidmüller engineers have always concentrated on achieving rational, cost-effective installation concepts, and – in cooperation with major users – have supplied the markets with well-conceived products which set standards in terms of functionality and quality across the globe. The best examples are the new power distributors with S and T coded M12. These modules are characterised by particularly high currents and voltages. This enables them to also be used, for example, with three-phase motors.

General ordering data

Type	SAIE-M12B-4-H12TL-PG9
Order No.	2421950000
Version	Built-in plugs, M12, PG 9, No. of poles: 4
GTIN (EAN)	4050118430578
Qty.	10 pc(s).

SAIE-M12B-4-H12TL-PG9

Weidmüller Interface GmbH & Co. KG
 Klingenbergstraße 16
 D-32758 Detmold
 Germany
 Fon: +49 5231 1429-0
 Fax: +49 5231 14292083
 www.weidmueller.com

Technical data
Dimensions and weights

Net weight 20 g

Technical data of PCB plug-in connector

Coding	A	Mounting thread	PG9
No. of poles	4	Type of mounting	Rear panel mounting
Rated voltage		Rated voltage (text)	250 V (4-pole) / 60 V (5-pole) / 30 V (8-pole)
	250 V	Rated current	4 A (4- and 5-pole) / 2 A (8-pole)
Rated current	4 A	Protection degree	IP67
Temperature range	-30...+80 °C	Housing main material	CuZn, nickel-plated
Contact surface	Au (Gold)	Tightening torque	M12: 0.8 Nm
connection thread	M12	Mounting torque range	1.2 Nm
Mounting thread	PG 9	Pollution severity	3 (2 within the sealed area)
Insulation resistance	100 MΩ	Contact material	CuZn
Plugging cycles	≥ 100	Material of the flange-mounted housing	Nickel-plated CuZn
Lock nut material	Nickel-plated CuZn		

Material data

Contact material CuZn Contact surface Au (Gold)

System parameters

Insulation resistance	100 MΩ	No. of poles	4
Pin series quantity	1	Plugging cycles	≥ 100
Protection degree	IP67		

Classifications

ETIM 6.0 EC002638 eClass 6.2 27-26-07-02
 eClass 9.1 27-44-03-09

Approvals

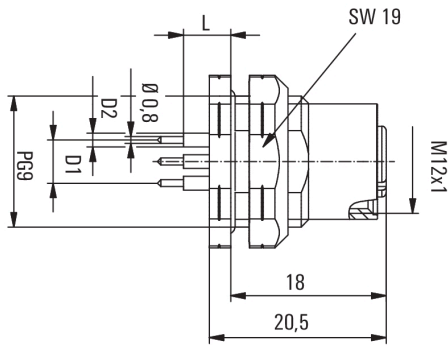
ROHS Conform

SAIE-M12B-4-H12TL-PG9

Weidmüller Interface GmbH & Co. KG
 Klingenbergstraße 16
 D-32758 Detmold
 Germany
 Fon: +49 5231 1429-0
 Fax: +49 5231 14292083
 www.weidmueller.com

Drawings

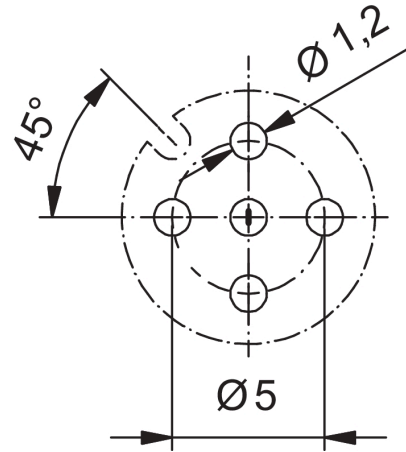
Dimensioned drawing



L(board-to-board distance) = 12mm

Front panel section D1 = 5,0 mm
 D2 = 1,6 mm

PCB design



Pole scheme

