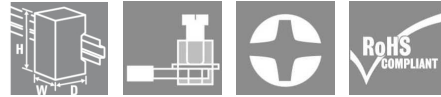


ACT20P
ACT20P-AI-AO-DC-S

Weidmüller Interface GmbH & Co. KG
Klingenbergstraße 16
D-32758 Detmold
Germany
Fon: +49 5231 1429-0
Fax: +49 5231 14292083
www.weidmueller.com

**General ordering data**

Type	ACT20P-AI-AO-DC-S
Order No.	1477420000
Version	ACT20P, Signal converter/insulator
GTIN (EAN)	4050118284959
Qty.	1 pc(s).

ACT20P
ACT20P-AI-AO-DC-S

Weidmüller Interface GmbH & Co. KG
 Klingenbergstraße 16
 D-32758 Detmold
 Germany
 Fon: +49 5231 1429-0
 Fax: +49 5231 14292083
 www.weidmueller.com

Technical data**Dimensions and weights**

Width	12.5 mm	Width (inches)	0.492 inch
Height	117.2 mm	Height (inches)	4.614 inch
Depth	113.7 mm	Depth (inches)	4.476 inch
Weight	270 g	Net weight	80 g

Temperatures

Humidity	10...90 % (no condensation)	Operating temperature	-20 °C...60 °C
Storage temperature	-25 °C...70 °C		

Input

Number of inputs	1	Sensor supply	24 V DC
Input voltage	configurable, 0...11 V (min. measurement range 2V)	Input resistance, voltage	≥ 1 MΩ
Input current	configurable, 0...22 mA (min. measurement range 4 mA)	Input resistance, current	100 Ω
Resolution	3.5 μA / 1.76 mV per bit		

Output

Number of outputs	1	Output voltage, note	adjustable, 0...11 V, min. output range 2V
Output current	adjustable, 0...22 mA, min. output range 4 mA	load impedance voltage	≥ 500 kΩ
load impedance current	≤ 1kΩ	Offset voltage	≤ 20 mV

General data

Configuration	DIP switch, Keys and LED display	Galvanic isolation	3-way isolator, between input/output/supply
Linearity	< ± 0.1 % of signal range, Typ. ± 0.05 % of signal range	Long-term drift	0.1 % / 10.000 h
Mounting rail	TS 35	Power consumption, typ.	3 W
Step response time	350 ms	Supply voltage	12...60 V DC
Temperature coefficient	< 0.05 % / °C	Type of connection	Screw connection: pluggable

Insulation coordination

EMC standards	IEC 61326-1	Galvanic isolation	3-way isolator, between input/output/supply
Impulse withstand voltage	4 kV (1.2/50 μs)	Insulation voltage	2 kV inputs / outputs
Standards	IEC 61326-1:2012, UL 61010-1:2012, 3rd Edition	Surge voltage category	III

Connection data

Type of connection	Screw connection: pluggable	Clamping range, rated connection	1.5 mm ²
Clamping range, rated connection, min.	1 mm ²	Clamping range, rated connection, max.	2.5 mm ²

Data sheet**ACT20P
ACT20P-AI-AO-DC-S**

Weidmüller Interface GmbH & Co. KG
Klingenbergstraße 16
D-32758 Detmold
Germany
Fon: +49 5231 1429-0
Fax: +49 5231 14292083
www.weidmueller.com

Technical data**Classifications**

ETIM 6.0	EC002653	eClass 6.2	27-21-01-20
eClass 9.1	27-21-01-20		

Approvals

ROHS	Conform
------	---------

Downloads

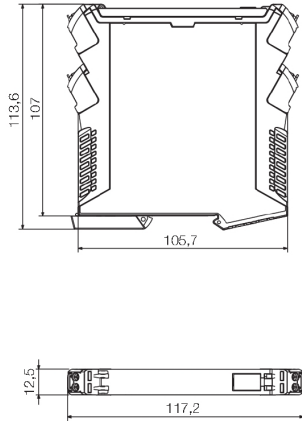
Package insert	instruction sheet
Declaration of Conformity	Declaration of Conformity

Data sheet

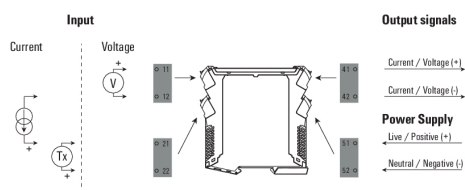
**ACT20P
ACT20P-AI-AO-DC-S**

Weidmüller Interface GmbH & Co. KG
 Klingenbergstraße 16
 D-32758 Detmold
 Germany
 Fon: +49 5231 1429-0
 Fax: +49 5231 14292083
 www.weidmueller.com

Drawings



terminal coding



ACT20P ACT20P-AI-AO-DC-S

Weidmüller Interface GmbH & Co. KG
 Klingenbergstraße 16
 D-32758 Detmold
 Germany
 Fon: +49 5231 1429-0
 Fax: +49 5231 14292083
 www.weidmueller.com

Accessories

markers



The new standard for integrating innovative electronics on the DIN rail.

Trend-setting flexibility and design freedom.

Flexibility, efficiency, functionality and security.

CH20M (Component Housing IP20 Modular) –

Weidmüller's new housing standard fits perfectly with customised electronics applications. This "standard tailor-made fit" combines the design freedom made possible by a pioneering concept of modularity with the minimized overhead and optimised planning security of a standard system.

From development to production, the CH20M represents efficiency. It covers all of the requirements for a modern electronics platform built with the future in mind. The system has several outstanding features, including its scalability, flexibility, high security level and innovative application functionality. Overall, the product line covers all common pitches, from the 6.1-mm sliced design to the 22.5-mm and 67-mm large-scale housings.

The application-centred design was developed from real world experience for the real world. It is designed with the market, the application and the future in mind. The essential features speak for themselves:

- Systematic modularity- from head (plate) to (clip-on) foot
- Excellent scalability – 7 different widths, from 6.1 - 67.5 mm!
- Maximized security: with leading-pin contact and captive coding system
- Unlimited continuity - a unified design for all pitch widths
- Very compact size – up to 4 connection levels and with release lever
- Complete process security - SMT/THR connection components packaged in Tape-on-Reel and an optimised PCB design
- Maximized efficiency - with the optimised use of PCB surface space

CH20M - offering the best performance with the least effort. A quantum leap for your application!

General ordering data

Type	Order No.	Version	GTIN (EAN)	Qty.
ESG 6.6/11	1082490000	ESG, Device markers, 11	4032248845330	200 pc(s).
BHZ 5.00/02		x 6.6 mm, Polyamide 66, Colour: White		

Data sheet

**ACT20P
ACT20P-AI-AO-DC-S**

Weidmüller Interface GmbH & Co. KG
 Klingenbergstraße 16
 D-32758 Detmold
 Germany
 Fon: +49 5231 1429-0
 Fax: +49 5231 14292083
 www.weidmueller.com

Accessories

ESG	1912130000	ESG, Device markers, 13.5	40322485411645 pc(s).
8/13.5/43.3		x 8 mm, Polyamide 66,	
SAI AU		Colour: Transparent	

Configuration interfaces



CBX 100/CBX 200 USB interfaces for PC-based configuration and calibration of the universal signal isolating converters ITXPlus, WAVE TTA and the ACT20 series. CBX 100/200 USB interface adapters have a status LED for displaying the transmit/receive mode. The driver software is an integral part of the Weidmüller DTM Library and is available for download at our website.

General ordering data

Type	Order No.	GTIN (EAN)	Qty.
CBX200 USB	8978580000	4032248813759	1 pc(s).