

# LIMIT & SAFETY SWITCHES

## 30mm Wide Pre-wired Limit Switches

- 30mm width
- Pre wired. 1M cable standard
- For 2M cable add suffix /2
- Metal casing
- IP67
- Snap action contacts
- cULus, approved

CE 70



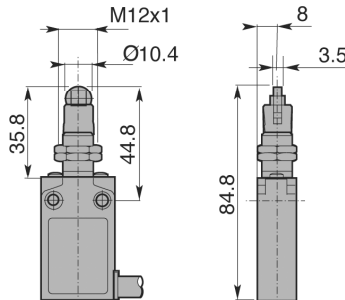
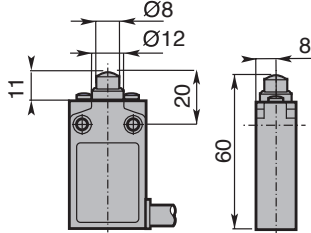
### SPECIFICATION

Rating	400V
Cable	PVC 1m 4x0.75mm <sup>2</sup>
Impulse withstand voltage	4kV
Working temperature	-25°C to +70°C
Switching frequency	3600 cycles/h
Load factor	0.5
Short circuit protection	6A gG fuse

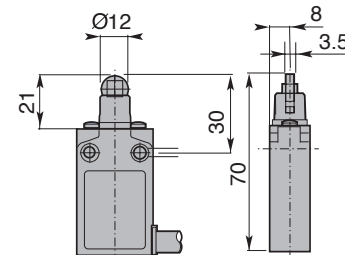
TYPE NO.	PLUNGER TYPE	MAX ACTUATION SPEED	ACTUATION/NC OPERATION
CE70.0.AM	Plain Plunger	0.5ms <sup>-1</sup>	15N/30N
CE70.0.BLM	Roller Plunger With Fixing Nut	0.1ms <sup>-1</sup>	10N/30N
CE70.0.BM	Roller Plunger	0.1ms <sup>-1</sup>	10N/30N
CE70.0.EM	Roller Lever	1.5ms <sup>-1</sup>	0.08Nm/0.28Nm
CE70.0.FM	Adjustable Nylon Roller Lever	1.5ms <sup>-1</sup>	0.08Nm/0.28Nm
CE70.0.GM	Adjustable Rod Lever	1.5ms <sup>-1</sup>	0.08Nm/0.28Nm
CE70.0.HM	Adjustable Rod Lever	1.5ms <sup>-1</sup>	0.08Nm/0.28Nm

### Roller Plunger With Fixing Nut

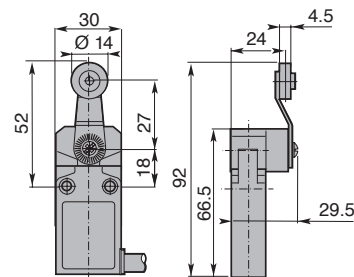
#### Plain Plunger



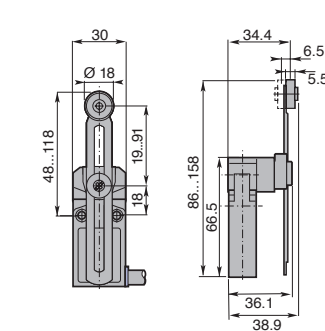
#### Roller Plunger



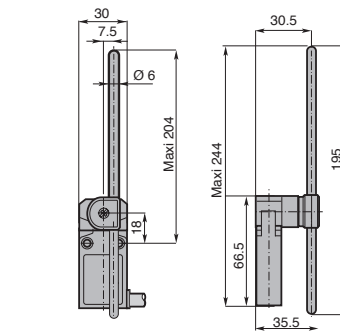
#### Roller Lever



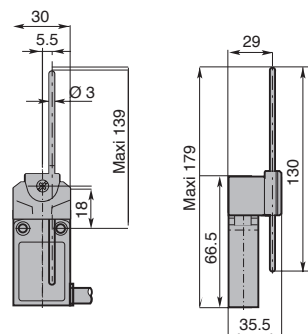
#### Adjustable Nylon Roller Lever



#### Adjustable Rod Lever



#### Adjustable Rod Lever



PCB  
TERMINAL  
BLOCKS

INTER-  
CONNECTION

FUSES &  
FUSE-  
HOLDERS

LEDs &  
INDICATORS

MINIATURE  
SWITCHES

LIMIT &  
SAFETY  
SWITCHES

CONTROL  
PRODUCTS

INTERFACE  
MODULES &  
SUPPORTS

RELAY  
BASES

ENCLOSURES

BATTERIES

TRANS-  
FORMERS