



Data Sheet - TRU Components Cat6a Keystone Jack

Last updated: 8 February 2024

Technical Data

Product type	: RJ45 Connector, IFE 750 times min
Specification	: CAT 6A
Insert material	: Flame retardant PBT, stamp pin T=0.30 mm
Contact material	: Phosphor bronze T=0.50 mm with tin plating
IDC Contact material	: Phosphor bronze
No. of pins	: 8
Wire	: AWG 22-26
IDC life	: 200 times min
Storage temperature	: -40 °C to +85 °C
Operating temperature	: 0 °C to +70 °C
Current rating	: 1.5 AMP
Voltage rating	: 125 VAC RMS
Contact resistance	: 100 mΩ
Insulation resistance	: 100 MΩ Min @500 VDC
Dielectric strength	: 750 VAC RMS 60 Hz, 1 Min

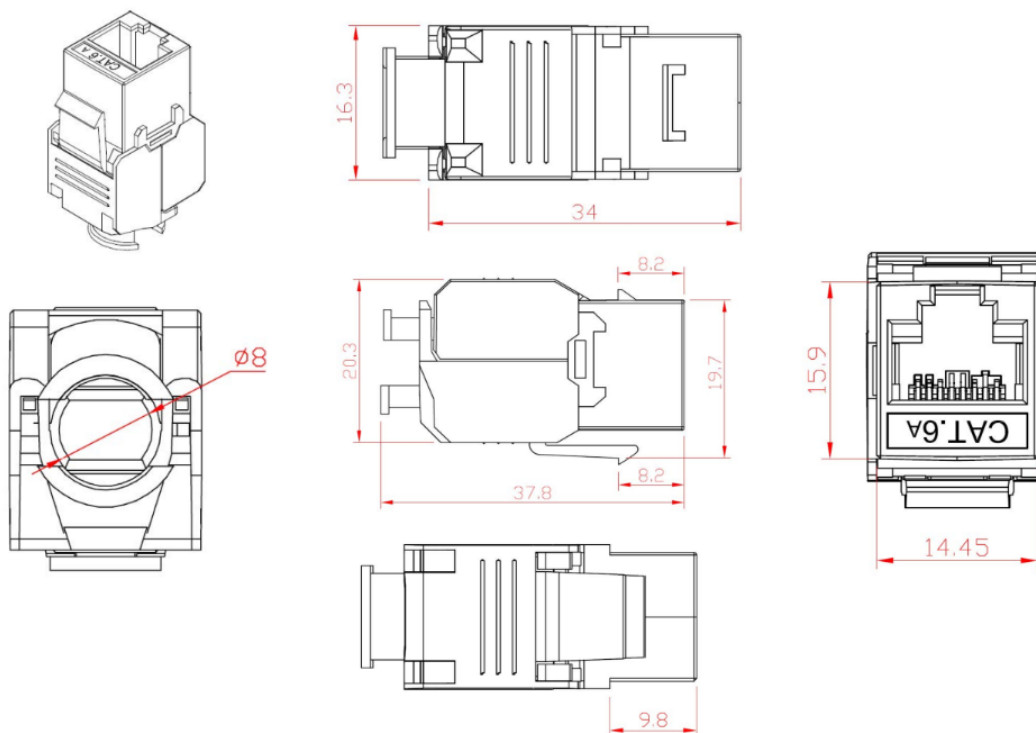
Technical Table Cat6a Keystone Jack

Article number	Housing material	Shielded enclosure	Dimensions (L x W x H)	Color
1515264	Zinc alloy	Yes	26.2 x 41.1 x 35 mm	metal
1515265	PC	No	35.2 x 17.1 x 25.3 mm	black, white
1515266	Zinc alloy	Yes	14.45 x 37.8 x 20.3 mm	metal
1515267	PC	No	14.45 x 37.8 x 20.3 mm	white
1515268	PC	No	16.6 x 30.4 x 22.4 mm	white, orange
1515269	PC	No	14.5 x 35 x 16.2 mm	white, black

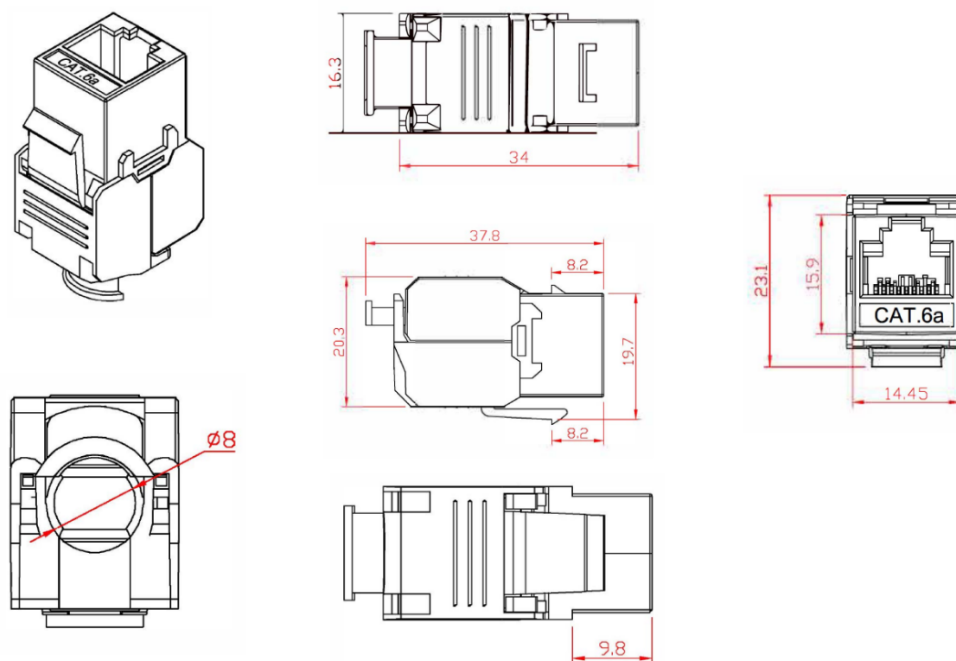


Data Sheet - TRU Components Cat6a Keystone Jack

Article No. 1515266



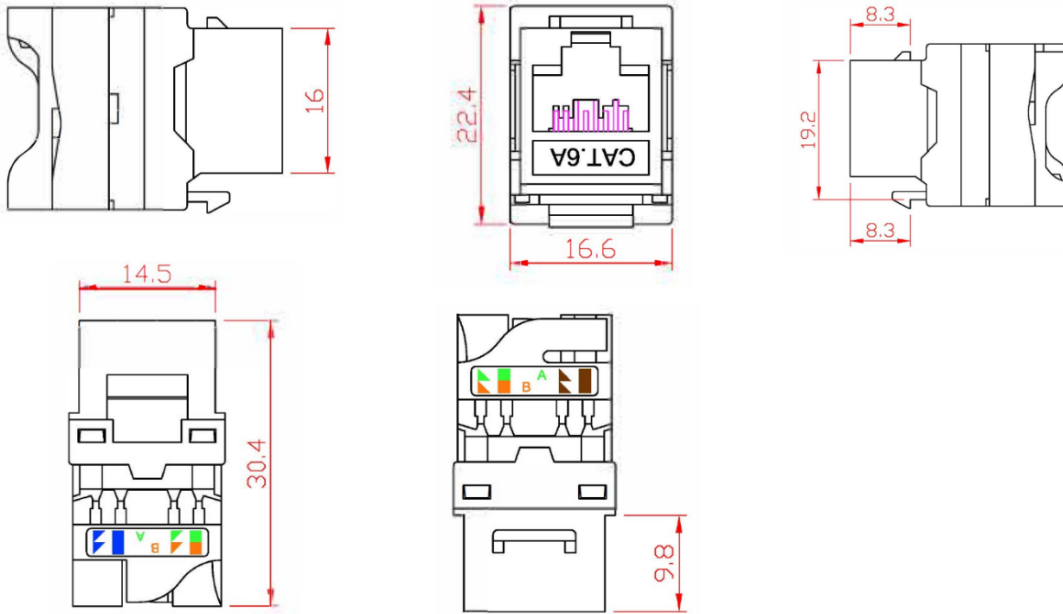
Article No. 1515267





Data Sheet - TRU Components Cat6a Keystone Jack

Article No. 1515268



Article No. 1515269

