



Data Sheet - TRU Components Cat6 Keystone Jack

Last updated: 8 February 2024

Technical Data

Product type	: RJ45 Connector, IFE 750 times min
Specification	: CAT 6
Insert material	: Flame retardant PBT
Contact material	: Phosphor bronze, stamp pin T=0.30 mm
IDC Contact material	: Phosphor bronze T=0.50 mm with tin plating
No. of pins	: 8
Wire	: AWG 22-26
IDC life	: 200 times min
Storage temperature	: -40 °C to +85 °C
Operating temperature	: 0 °C to +70 °C
Current rating	: 1.5 AMP
Voltage rating	: 125 VAC RMS
Contact resistance	: 100 mΩ
Insulation resistance	: 100 MΩ Min @500 VDC
Dielectric strength	: 750 VAC RMS 60 Hz, 1 Min

Technical Table Cat6 Keystone Jack

Article number	Housing material	Shielded enclosure	Color
1515270	Zinc alloy	Yes	metal
1515271	PC	No	black, white
1515272	Zinc alloy	Yes	metal
1515273	PC	No	white
1515275	PC	No	white
1515277	PC	No	grey

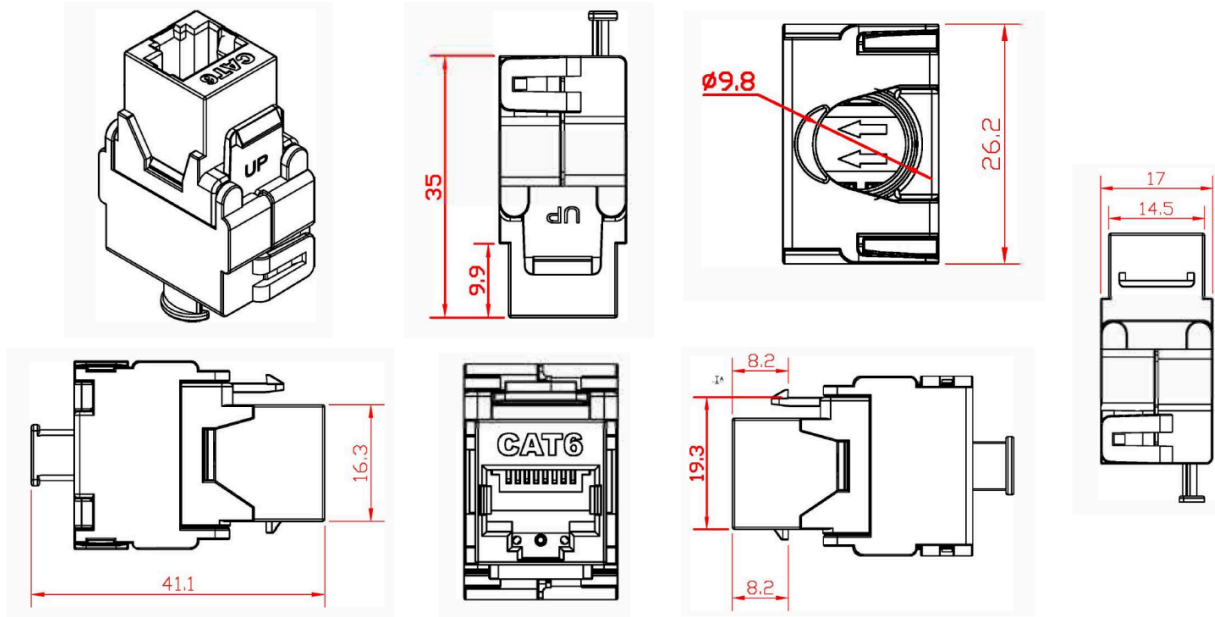
Please find dimensions with line drawing below



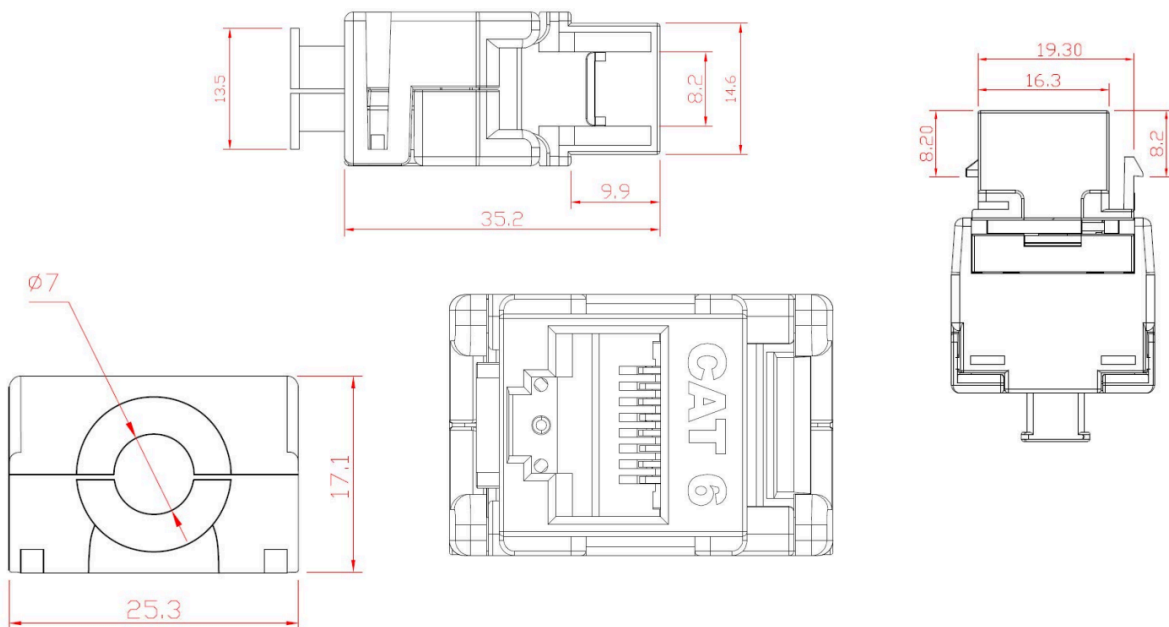
Data Sheet - TRU Components Cat6 Keystone Jack

Line Drawing (in mm)

Article No. 1515270



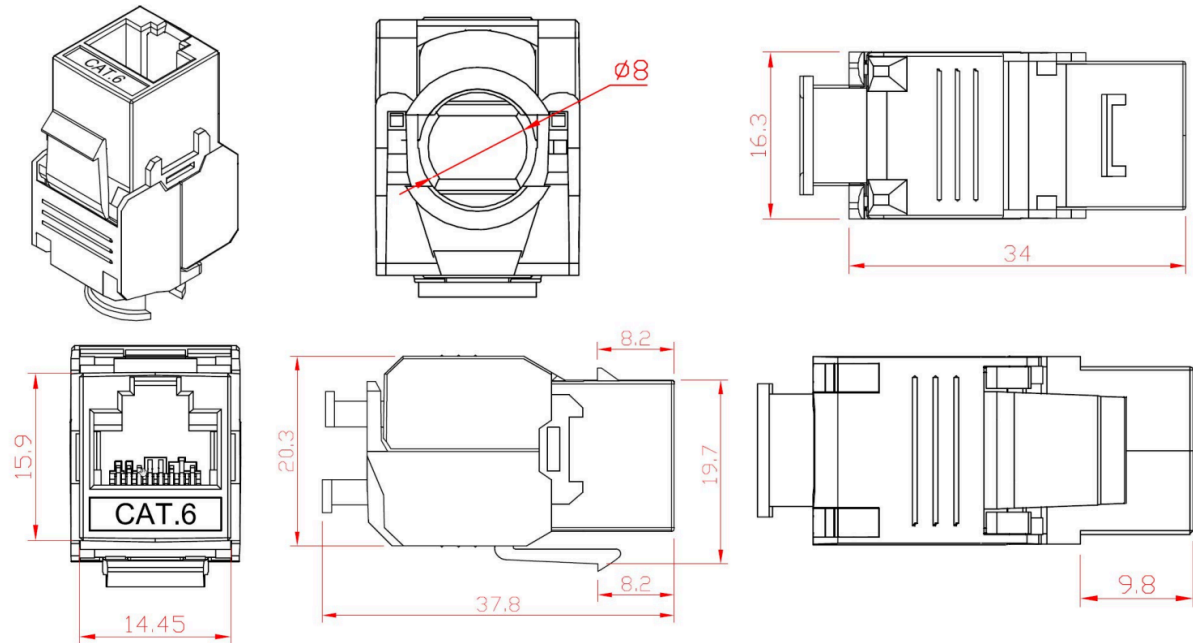
Article No. 1515271



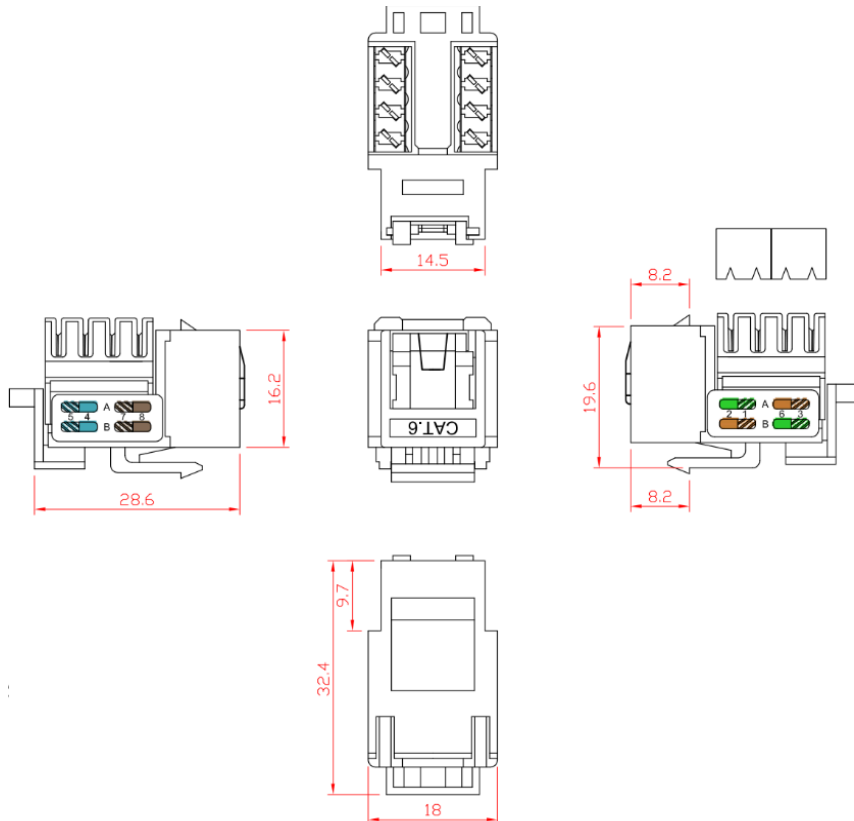


Data Sheet - TRU Components Cat6 Keystone Jack

Article No. 1515272



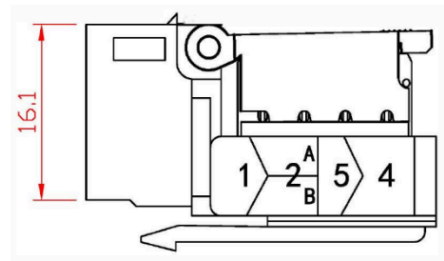
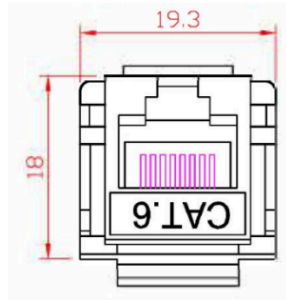
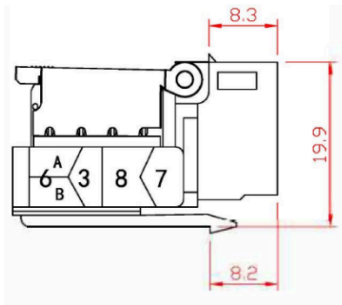
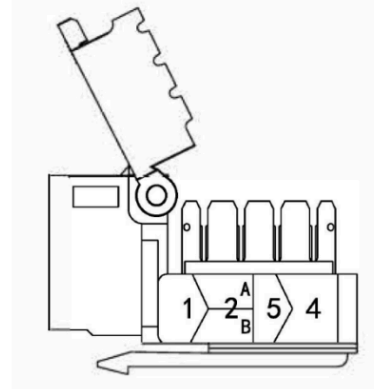
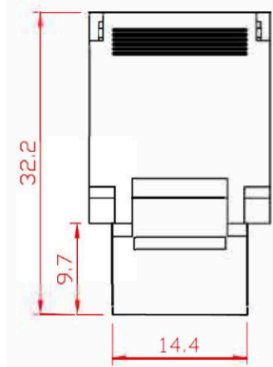
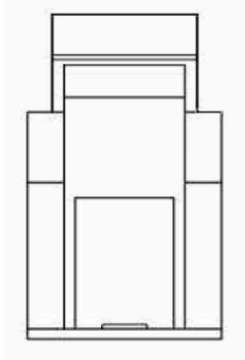
Article No. 1515273





Data Sheet - TRU Components Cat6 Keystone Jack

Article No. 1515275



Article No. 1515277

