

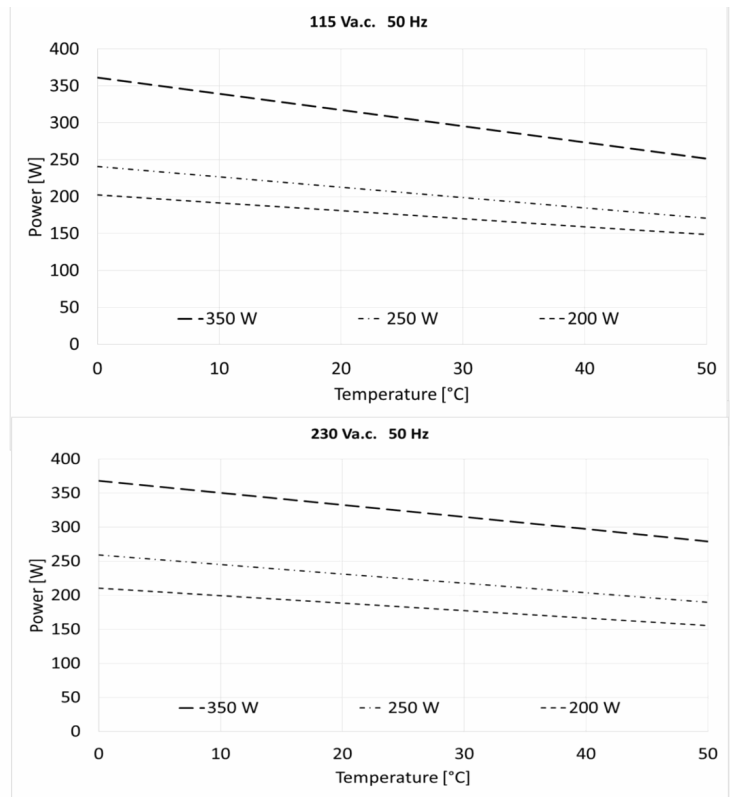
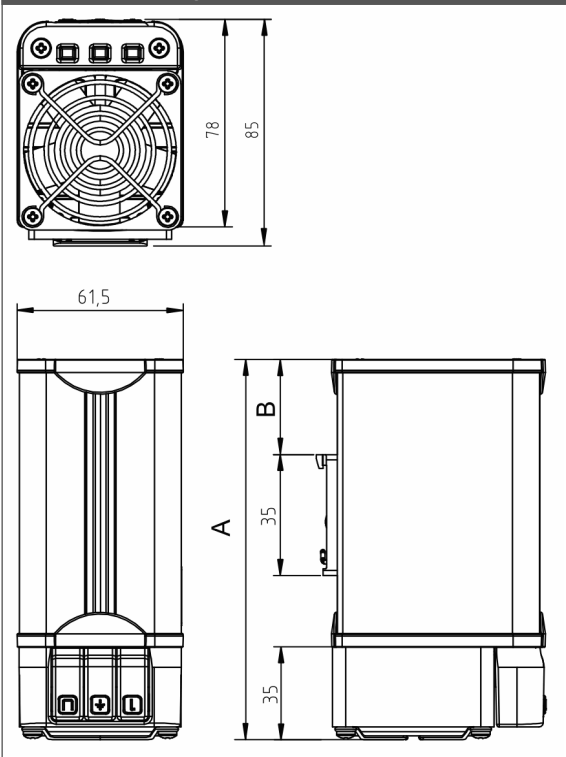
**"HVMS-T(HP)" VENTILATED HEATERS**

Description: **metal cover TP**  
**200/250/350W**



<b>Heating element:</b>	PTC thermistor, self regulating
<b>Overheat protection</b>	Integrated bi-metal thermal protector
<b>Heat sink:</b>	black anodised extruded aluminium profile
<b>Cover material:</b>	black anodised aluminium
<b>Method of mounting:</b>	snap-on fixing on RAIL 35mm EN 50022
<b>Fitting position</b>	Vertical
<b>Rated temperature range:</b>	from -10°C to +50°C
<b>Storage temp. range</b>	from -40°C to +70°C
<b>Protection degree by heaters:</b>	IP20
<b>Electrical connection:</b>	by 3 poles terminal L-N-PE 3 clamps for solid or fine stranded wire 0.5 ÷ 2.5mm <sup>2</sup> (20 ÷ 16 AWG)
<b>Appliance class:</b>	class I
<b>Rated frequency:</b>	50/60 Hz
<b>Max voltage:</b>	125 Va.c. for 115 Va.c. models; 250 Va.c. for 230 Va.c. models
<b>Applicable standards:</b>	EN 60335-1
<b>Approvals:</b>	CE; cURus certified till max 50°C

**technical drawing**



Model	Dimension		Heating Power [W]	Absorbed Current* [mA]	Rated voltage [V]	Weight [Kg]	Approvals
	A [mm]	B [mm]					
HVMS200THP-115	143	40	200	1,500	115 V a.c.	0.550	CE;
HVMS200THP-230	143	40	200	820	230 V a.c.	0.550	CE;
HVMS250THP-115	193	65	250	1,760	115 V a.c.	0.700	CE;
HVMS250THP-230	193	65	250	980	230 V a.c.	0.700	CE;
HVMS350THP-115	243	90	350	2,580	115 V a.c.	0.900	CE;
HVMS350THP-230	243	90	350	1,400	230 V a.c.	0.900	CE;

\*The values of absorbed current were obtained at 50Hz and at ambient temperature condition of 25±5°C at steady state. These values have an uncertainty of 10%.

All specifications, data and drawing are subject to change without notice and are approximate. Please refer to our terms of sales including our warranty and limited liabilities clause.