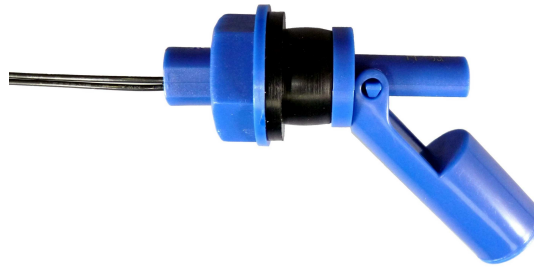
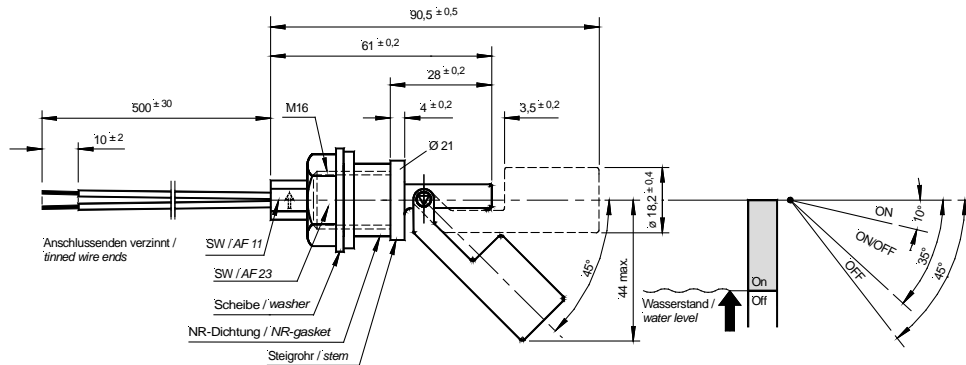


Art.-Nr. 17188



Abmessungen und Anschlüsse (Maße in mm)
Dimensions and terminals (measurements in mm)



MATERIALS		ELECTRICAL DATA	
stem	Polypropylen, blau	switching power	[W] 40
float	Polypropylen, blau	switching current	[A/DC] 1,0
stopper	Polypropylen, blau	switching voltage	[V/DC] 200
nut	Polypropylen, blau		

GENERAL DATA	
pressure	[kg/cm ²]
working temperature	[°C] - 10 ... +80
specific gravity of fluid	[kg/dm ³]
connecting cable	FEP-wire, UL - style 1332, black, 2 x AWG 22
cable length	500mm

REMARK

- In the mounting position shown above, the contact closes at rising liquid and opens at falling liquid.
- The used liquid has to be free of dirt particles and and fluss ball.
- Suitable for low viscose and clean liquids.
- The float switch is shock-sensitive.
- The switching function will work reversely with the float switch set upside down.