



Model Number

UB400-F77-E2-V31

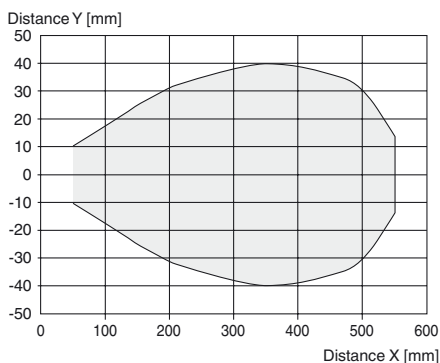
Ultrasonic direct detection sensor

Features

- **Miniature design**
- **Program input**
- **Degree of protection IP67**
- **Switching status indicator, yellow LED**

Diagrams

Characteristic response curve



Technical data

General specifications

Sensing range	25 ... 400 mm
Adjustment range	40 ... 400 mm
Dead band	0 ... 25 mm
Standard target plate	20 mm x 20 mm
Transducer frequency	approx. 300 kHz

Nominal ratings

Time delay before availability t_v	≤ 150 ms
--------------------------------------	---------------

Limit data

Permissible cable length	max. 300 m
--------------------------	------------

Indicators/operating means

LED yellow	switching state and flashing: Teach-In
------------	--

Electrical specifications

Rated operating voltage U_e	24 V DC
Operating voltage U_B	20 ... 30 V DC , ripple 10 % _{SS} ; 12 ... 20 V DC sensitivity reduced to 90 %
No-load supply current I_0	≤ 20 mA

Input

Input type	1 program input
Level	low level : 0 ... 0.7 V (Teach-In active) high level : U_B or open input (Teach-In inactive)
Input impedance	16 k Ω
Pulse length	≥ 3 s

Output

Output type	1 switch output PNP, NO
Rated operating current I_o	200 mA , short-circuit/overload protected
Voltage drop U_d	≤ 2 V
Switch-on delay t_{on}	≤ 75 ms
Repeat accuracy	± 1 mm
Switching frequency f	5 Hz
Range hysteresis H	typ. 4 mm
Off-state current I_r	≤ 0.01 mA
Temperature influence	+ 0.17 %/K

Ambient conditions

Ambient temperature	-25 ... 70 °C (-13 ... 158 °F)
Storage temperature	-40 ... 85 °C (-40 ... 185 °F)
Shock resistance	30 g , 11 ms period
Vibration resistance	10 ... 55 Hz , Amplitude ± 1 mm

Mechanical specifications

Connection type	M8 x 1 connector , 4-pin
Degree of protection	IP67
Material	
Housing	Polycarbonate
Transducer	epoxy resin/hollow glass sphere mixture; polyurethane foam
Installation position	any position
Mass	10 g
Tightening torque, fastening screws	max. 0.2 Nm

Compliance with standards and directives

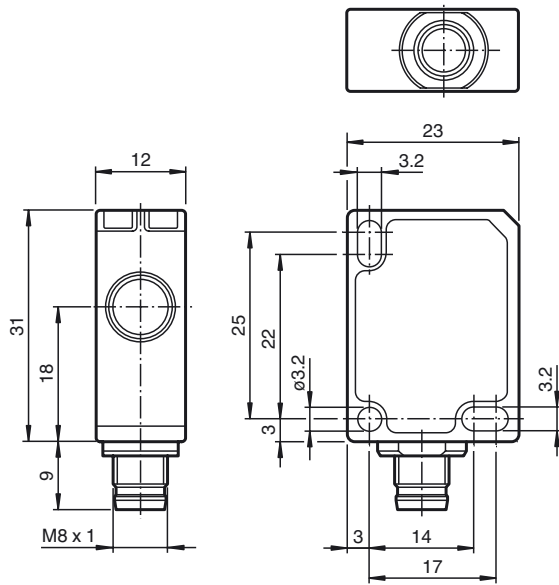
Standard conformity	
Standards	EN 60947-5-2:2007 + A1:2012 IEC 60947-5-2:2007 + A1:2012

Approvals and certificates

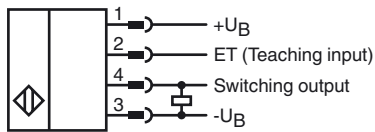
UL approval	cULus Listed, General Purpose
CSA approval	cCSAus Listed, General Purpose
CCC approval	CCC approval / marking not required for products rated ≤ 36 V

Release date: 2016-02-12 15:20 Date of issue: 2016-02-12 233240_eng.xml

Dimensions



Electrical Connection



Pinout



Wire colors in accordance with EN 60947-5-2

1	BN	(brown)
2	WH	(white)
3	BU	(blue)
4	BK	(black)

Release date: 2016-02-12 15:20 Date of issue: 2016-02-12 233240_eng.xml

Accessories

UB-PROG4-V31

Programming unit for ultrasonic sensors with Teach-in input at pin 2

OMH-ML7-01

Mounting aid for ML7 and ML8 series, Mounting bracket

V31-GM-2M-PVC

Female cordset, M8, 4-pin, PVC cable

V31-WM-2M-PVC

Female cordset, M8, 4-pin, PVC cable

Description of Sensor Function

The ultrasonic sensor transmits ultrasonic packets in quick succession and responds to their reflection off the detected object. The sensor has a switch output. The switching point is programmable (Teach-In). Objects beyond the taught-in switching point are not detected (background suppression).

Teach-In of Switching Point SP

To teach in a switching point, proceed as follows:

1. Connect the sensor and turn on the operating voltage.
2. Place the object to be detected at the required distance.
3. Connect the teach-in input (ET) to $-U_B$. This can be done using the pushbutton or the controller.
The LED will start flashing after 3 seconds to indicate that the sensor is ready to start the teach-in process (*).
4. Disconnect the teach-in input (ET) with $-U_B$. The switching point SP has now been taught in (*).

(*) If no object is detected within the sensing range of the sensor, the sensor will start flashing at a faster rate. The switching point remains unchanged.

Switching characteristics and display LED

unusable area	Sensing range		Output	LED
	Adjustment range			
		●	$-U_B$	Off
	●		$+U_B$	On
●			Undefined	

● = Object position

Mounting instruction

If the sensor is operated at temperatures below 0 °C, use the supplied distance plate. Only use the two rearmost mounting holes (located opposite to the transducer) for mounting the sensor.

Safety Note



The use of this device in applications, where the safety of persons depends from the devices function, is not allowed!

Release date: 2016-02-12 15:20 Date of issue: 2016-02-12 233240_eng.xml