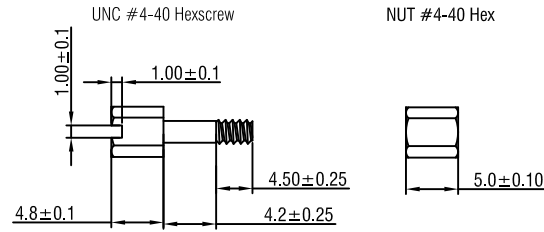
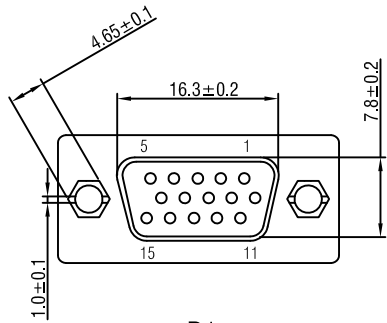
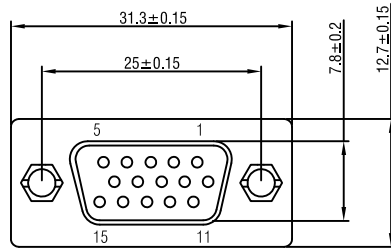
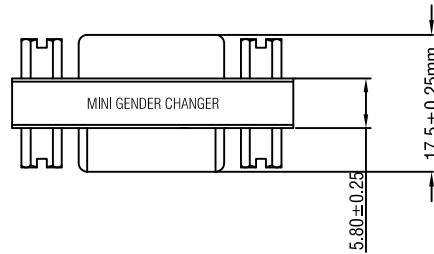
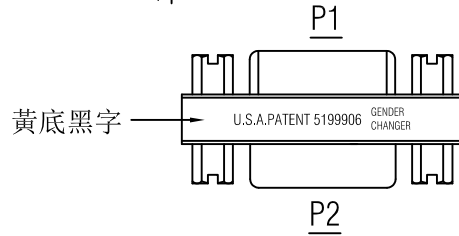


RoHS Compliant



WIRE ADDRESS

P1	P2
1	1
2	2
3	3
4	4
5	5
6	6
7	7
8	8
9	9
10	10
11	11
12	12
13	13
14	14
15	15
SHELL	SHELL



Electrical Test:

- 1.100% TEST OPEN SHORT MIS-WIRE.
- 2.CONTACT RESISTANCE:3Ω MAX.
- 3.INSULATION RESISTANCE:5MΩ MIN.
- 4.HI-POT:300V DC/10MS.

D		
C		
B		
VER.A	REVISE	DATE
Company: CONRAD		<b>REALLYUSEFUL ELECTRONICS INC.</b>
Item		
Draw	Kobe Date: 2016.10.21	
Approval		
Duty	F16	
Sample NO.	29039c233	Drawings of 1 (1) Proportion: 1:1 Unit(mm)

1	HBD 15F-HBD 15F Mini ADAPTER(Black Insulator,Nickel Plated)	1	PCS
NUMBER	PRODUCT SPECIFICATIONS	Quantity	Unit