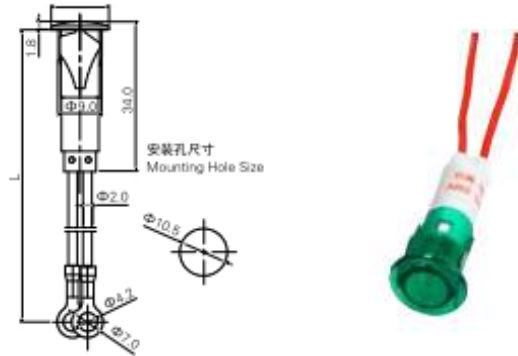


## Neon Signal lamp, Green



Voltage.....	230 V , 50 / 60 Hz
Current.....	2 mA
Light.....	Neon
Mounting hole.....	Ø 10.5 mm
Mounting panel thickness.....	0.8 - 3 mm
H05S-K wire heat resistance.....	180 °C
Life time.....	Less than 25000 h
Color.....	Green
Terminal.....	Connection: open end
Material of lamp base.....	PC
Material of lamp holder.....	Nylon / PBT
Operating& Storage temperature.....	0 to 100 °C; Storage -20 to 120 °C
Operating& Storage humidity.....	10 - 80 % RH