



General description

The WD style is a range of high quality, high stability Aluminium housed power resistors designed for direct heat sink attachment. A wide range of resistance values is available in 5 to 300 W. Design of higher wattage resistors for special applications can be done with ease.

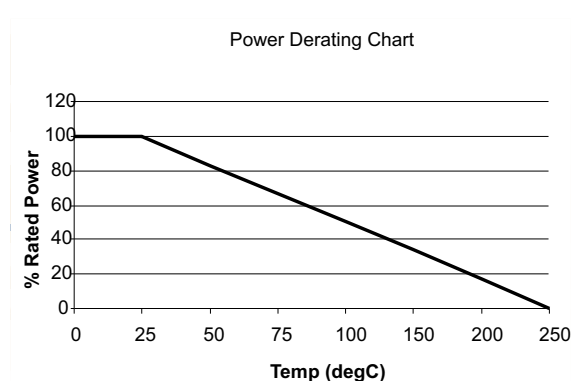
Features

- Excellent heat transfers and small dimensions
- Good electrical stability, reliability and mechanically very rigid
- Non inductive version available
- Values from R01 to 150K
- Custom terminations, mounting arrangements possible
- RoHS compliant

General series characteristics

Characteristic	Condition	Compliance
Tolerance (Tighter tolerance available on request)	For values less than 1 Ω For values greater than 1 Ω	$\pm 5\%$ ± 0.25 to $\pm 5\%$
Temperature co-efficient (Lower TCR available on request)	For values less than 100 Ω For values greater than 100 Ω	60 ppm / $^{\circ}\text{C}$ 30 ppm / $^{\circ}\text{C}$
Insulation resistance	Dry / Normal	10G Ω min
Change in resistance - short time overload - shelf life	10x rated voltage für 5 sec After 3 years	$\pm 0.5\%$ < $\pm 1\%$
Incombustibility	16x rated wattage for 5 sec	No flame
Operating temperature	From - 25 $^{\circ}\text{C}$ to 250 $^{\circ}\text{C}$	

Power derating



Aluminium housed wire-wound resistors series WD

Data sheet

widap

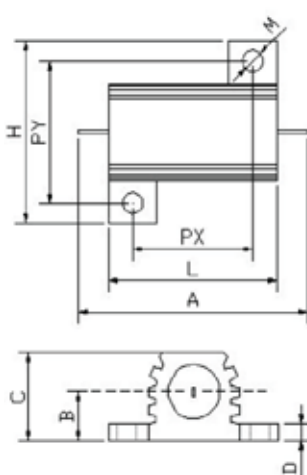


Electrical specifications

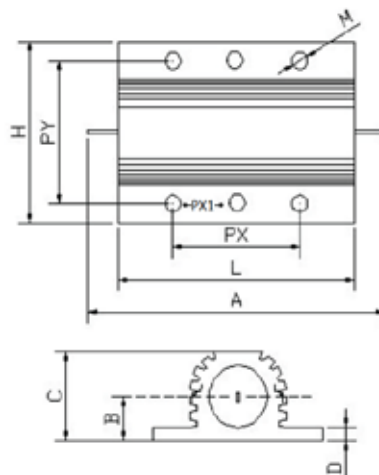
Series	Power rating on standard heat sink @ 25 °C	Power rating with no heat sink @ 25°C	Resistance range	Limiting element voltage (DC / AC rms)	Dielectric strength (AC peak)	Weight approx. (g)	Standard heat sink	
							Area (cm ²)	Thickness (mm)
WD5	10	5	R01 - 10K	160	1'400	5	400	1
WD10	15	8	R01 - 15K	260	1'400	7	400	1
WD25	25	12.5	R01 - 35K	550	2'500	15	550	1
WD50	50	20	R01 - 100K	1'250	2'500	30	550	1
WD75	75	45	R01 - 50K	1'400	5'000	85	1'000	3
WD100	100	50	R01 - 100K	1'900	5'000	115	1'000	3
WD150	150	55	R01 - 100K	2'500	5'000	175	1'000	3
WD200	200	50	R01 - 50K	1'900	5'000	475	3'750	3
WD250	250	60	R01 - 65K	2'200	5'000	600	4'800	3
WD300	300	75	R01 - 80K	2'500	5'000	700	5'800	3

Mechanical specifications

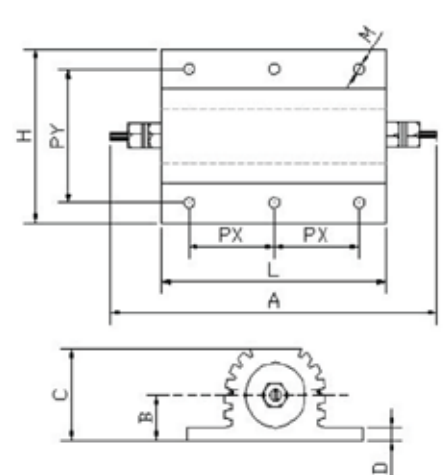
Series	L ± 0.5	A max.	H	PX ± 0.3	PX1	PY ± 0.3	M ± 0.5	B max.	C max.	D
WD5	16.8	31	17	11.3	-	12.4	2.4	4.5	9	2.5
WD10	20.1	36.5	21	14.3	-	15.9	2.4	5.5	11	2.5
WD25	27.3	51.8	28	18.3	-	19.8	3.2	7.5	15	3
WD50	50.1	72.5	30	39.7	-	21.4	3.2	8.5	17	3
WD75	48.9	71	48	29	-	37.0	4.4	12	26	4
WD100	65.4	87.5	48	35	-	37.0	4.4	12	26	4
WD150	97	122	48	29	29	37.0	4.4	12	26	4
WD200	89	143	73	35	-	57.2	5.1	20.5	45	5.5
WD250	114	163	73	44.5	-	57.2	5.1	20.5	45	5.5
WD300	127	180	73	52	-	59.0	6.6	20.5	45	5.5



WD5 - 50



WD75 - 150



WD200 - 300