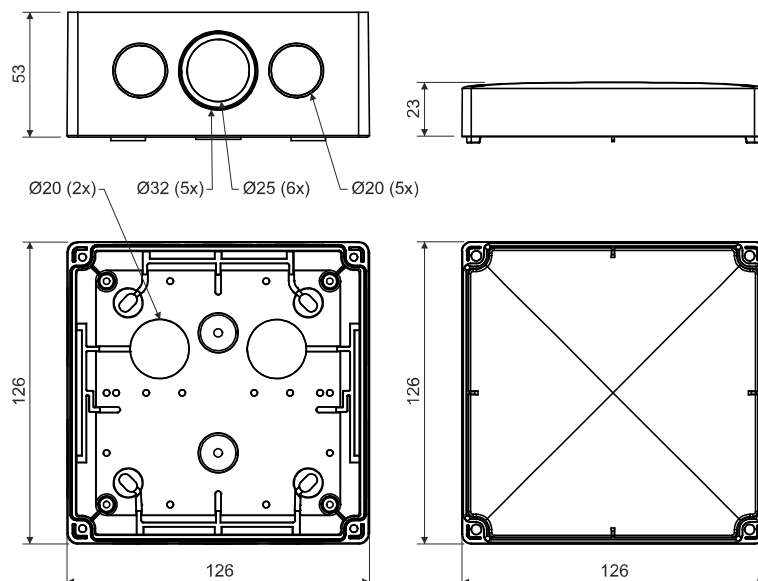


## KSK 125



## product description:

- intended for installation in environments that require IP 66 protection
- integrated knockouts for mounting on base
- perfect sealing of cables and pipes
- integrated O-ring to install cable glands
- intended for direct installation on the surface without having to support with insulating pad
- stainless steel screws for lid installation
- the option to install special terminal block
- 7x inlets with Ø20 mm; 6x Ø25 mm; 5x Ø32 mm

material - box: PP (halogen-free, Pb-free material)

material - cover: PC (halogen-free, Pb-free material)

color: light gray RAL 7035

self-snuffing: yes, within 30 s

temperature resistance: -25 - +60 °C

flaming loop test: 850 °C

fire class for underlying material: A1-F

protection types: IP 66

weight: 236 g

certification: EN 60 670-1

storage: ČSN 64 0090

configuration: KA - plugs and lid screws inserted in the box, each box packed in shrink foil and labelled; 36 pcs boxes in cardboard

accessories:

- terminal plate S-66; S-96; SP-96
- terminal plate S-KSK-2
- screwless terminal plates TYP015, TYP016, TYP017, TYP018
- support trunking TS35