

# NanoPi NEO Air

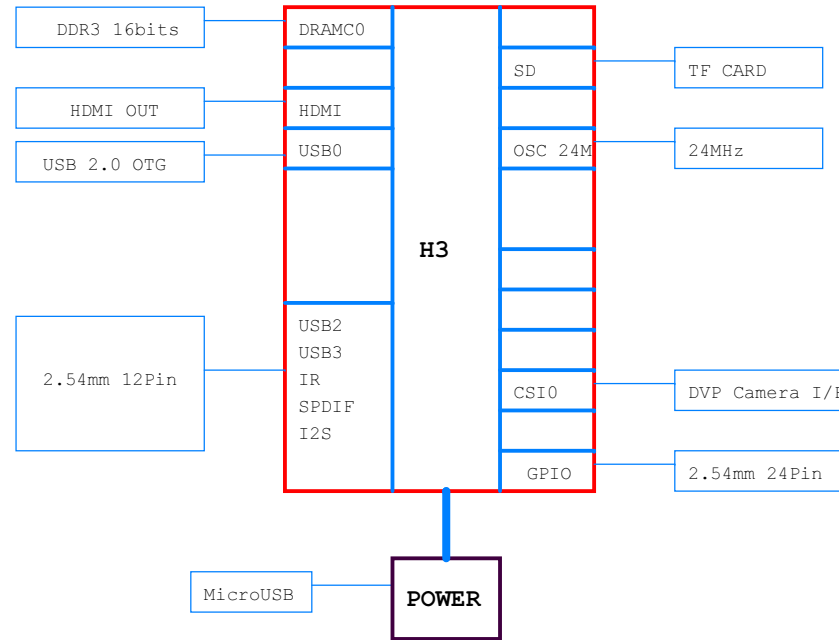
Revision

1608 , First Release

**FRIENDLYARM**

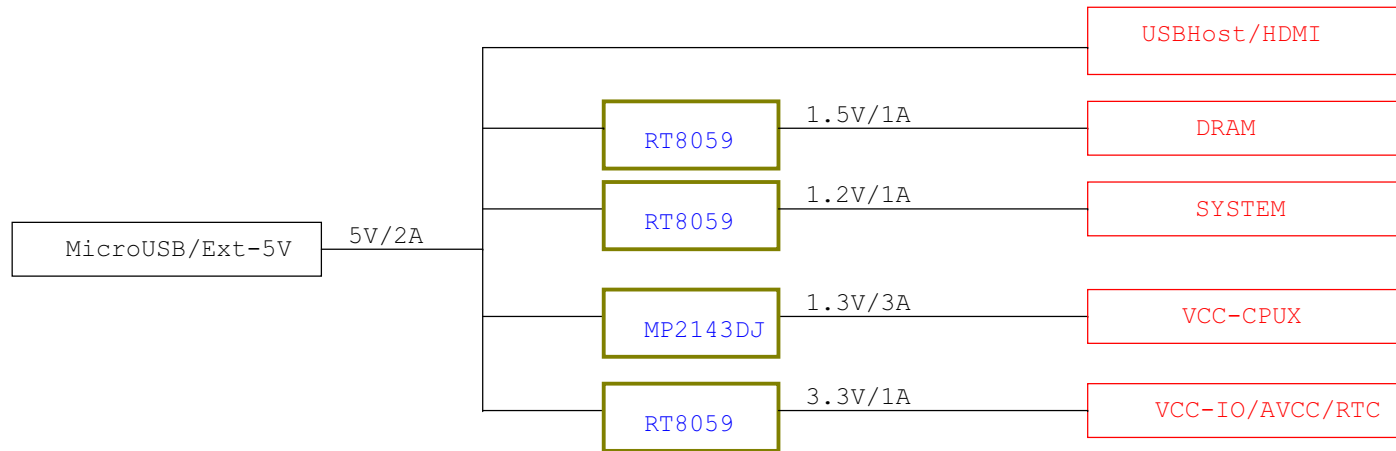
NanoPi NEO Air		
Size A3	Document Number 01:Title	Rev 1608
Date:	Wednesday, September 28, 2016	Sheet 1 of 13

# BLOCK



**FRIENDLYARM**

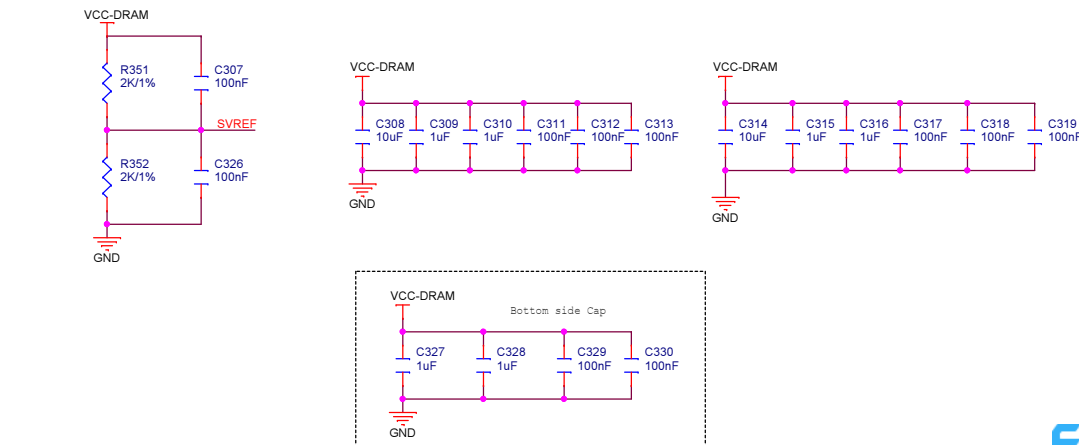
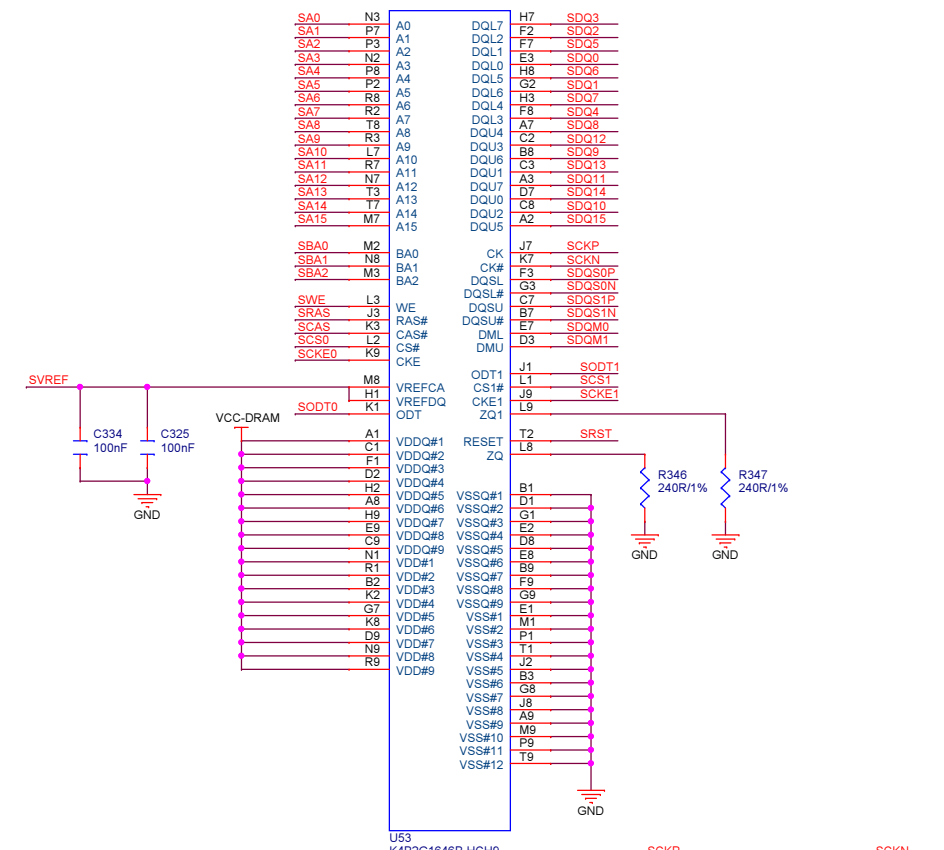
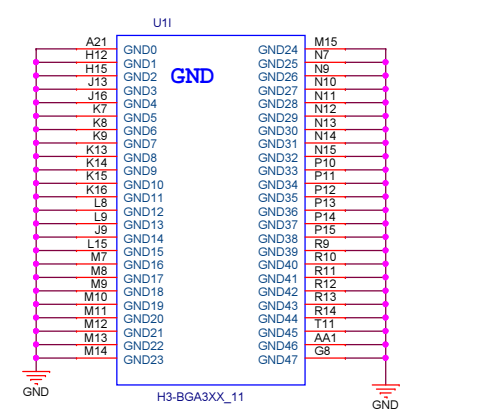
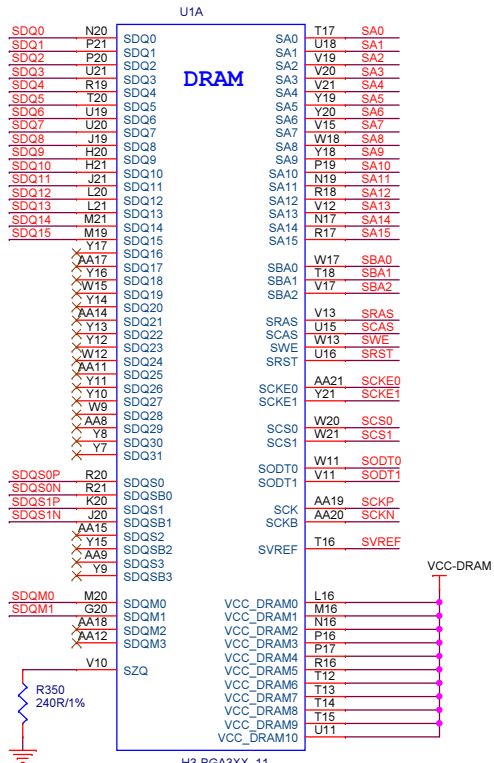
# POWER TREE



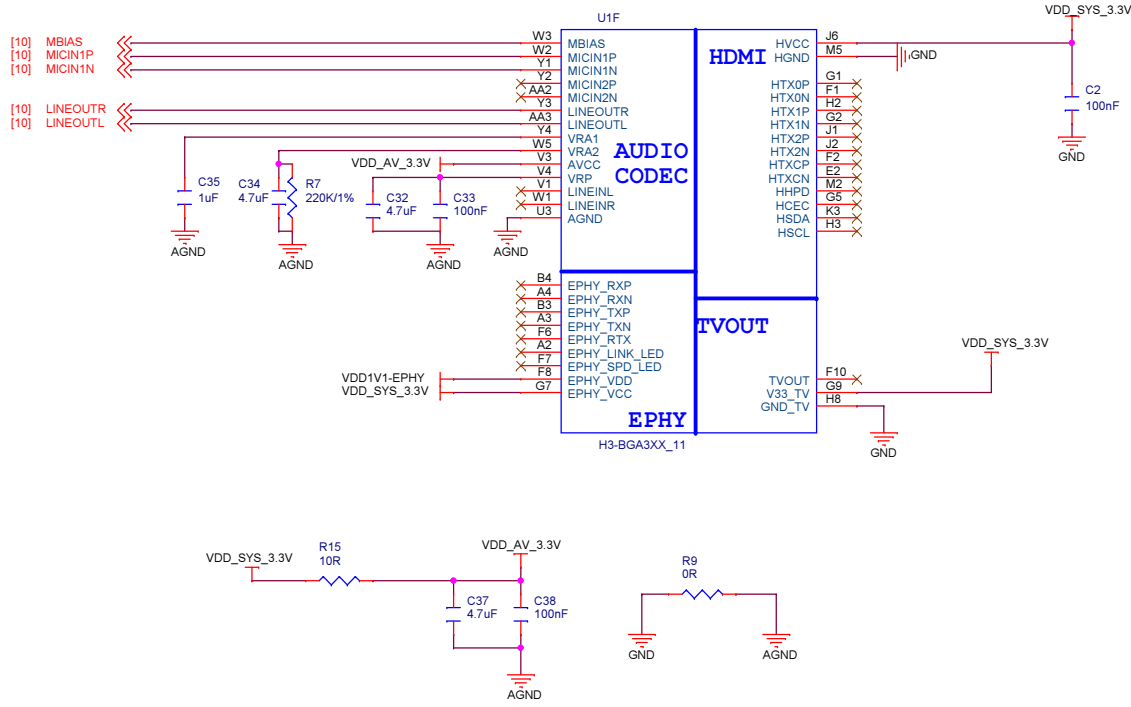
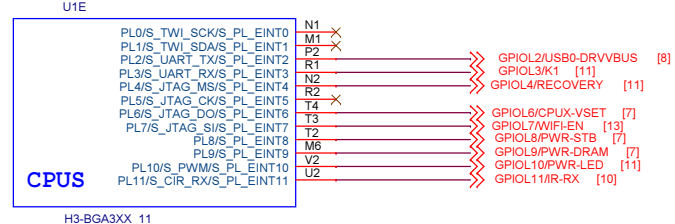
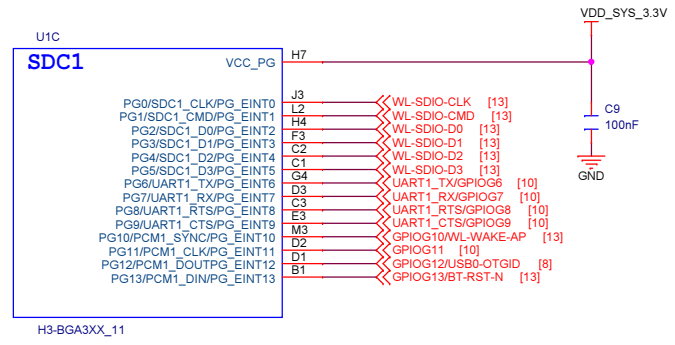
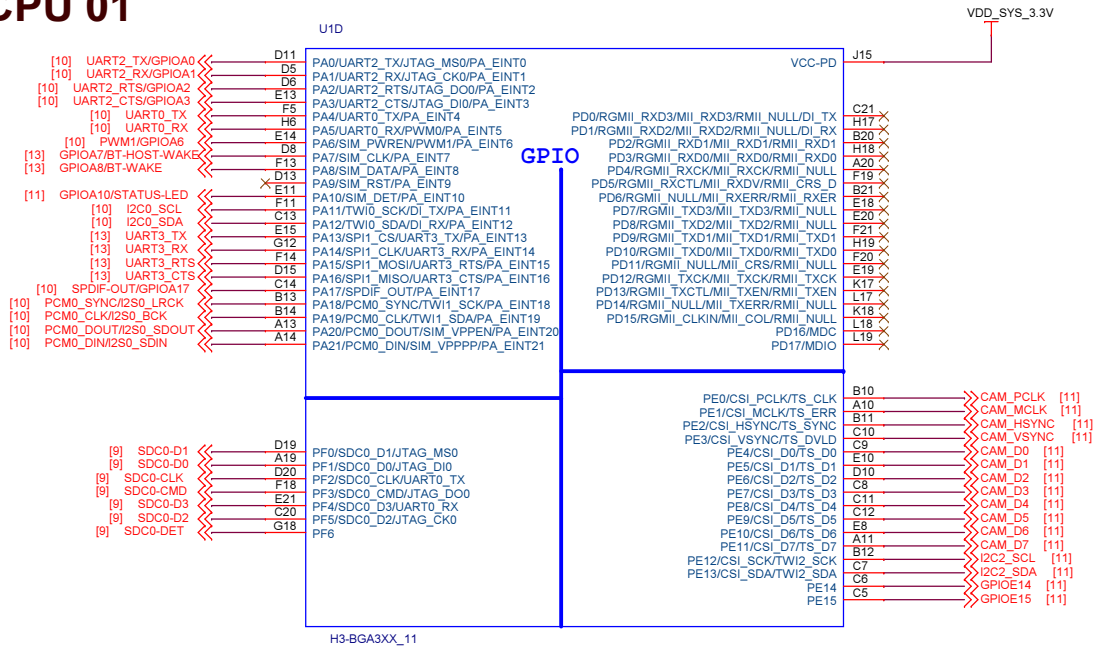
**FRIENDLYARM**

NanoPi NEO Air		
Size A3	Document Number 03:Power Tree	Rev 1608
Date:	Wednesday, September 28, 2016	Sheet 3 of 13

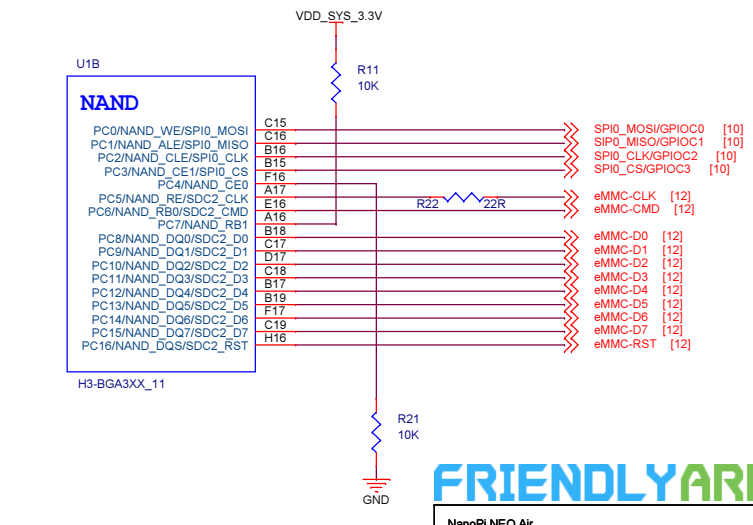
# DDR3 16x1



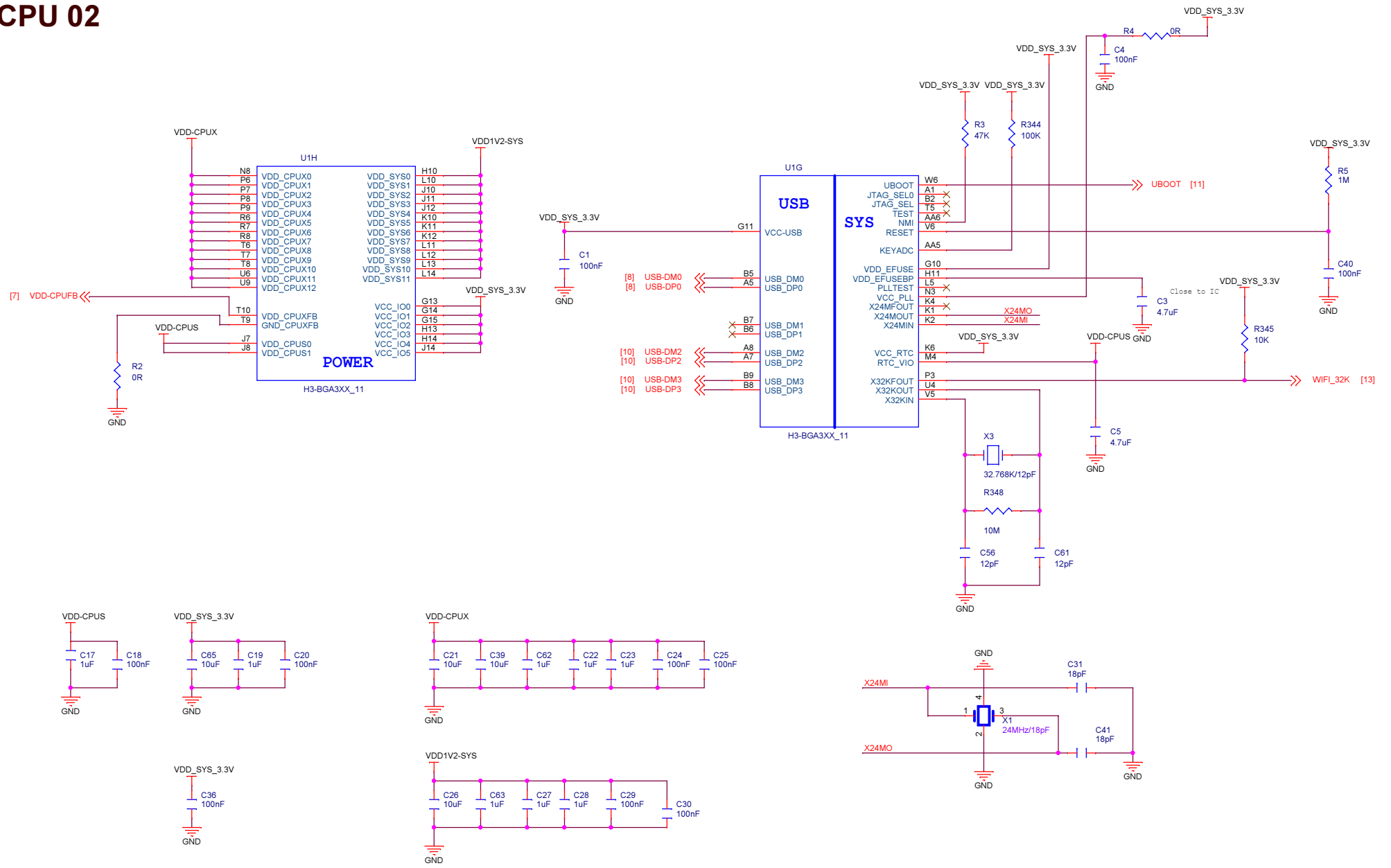
# CPU 01



	PWRON/WORX	STANDBY	PWROFF
PWR-STB	1	0	0
PWR-DRAM	1	1	0

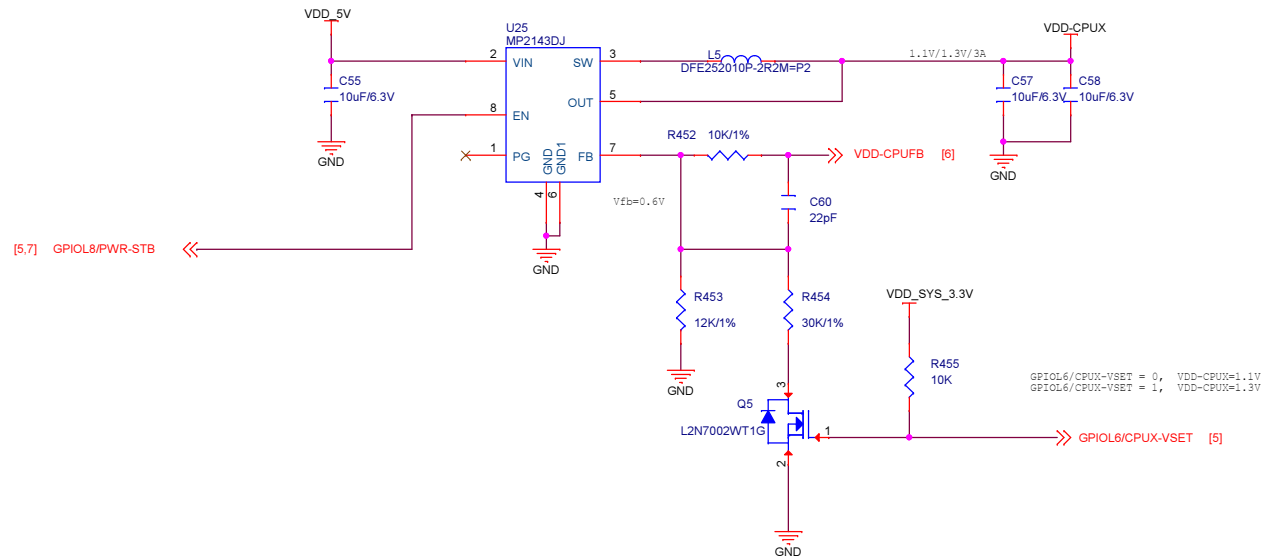
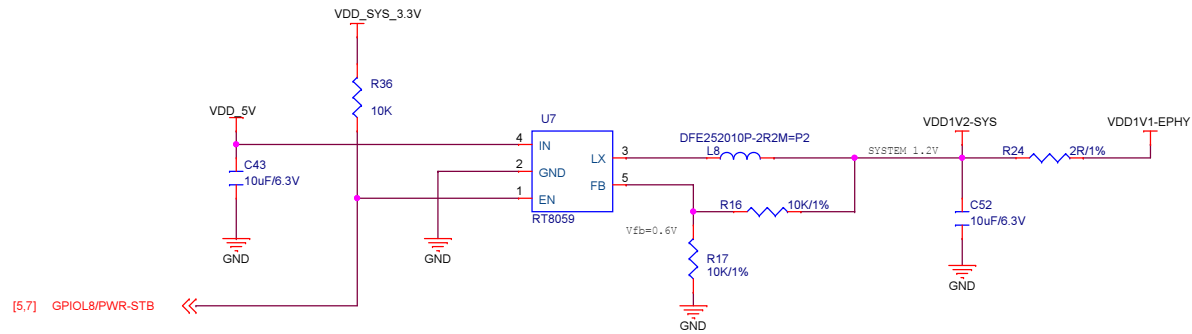
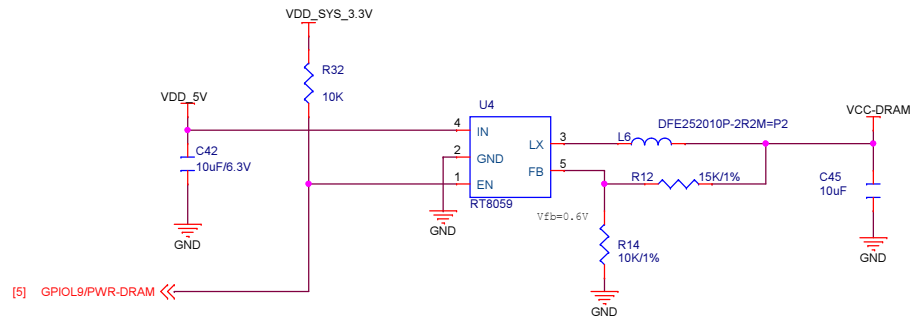


# CPU 02



NanoPi NEO Air		
Size A3	Document Number 06:CPU-H3-02	Rev 1608
Date: Wednesday, September 28, 2016	Sheet 6	of 13

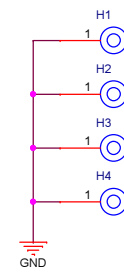
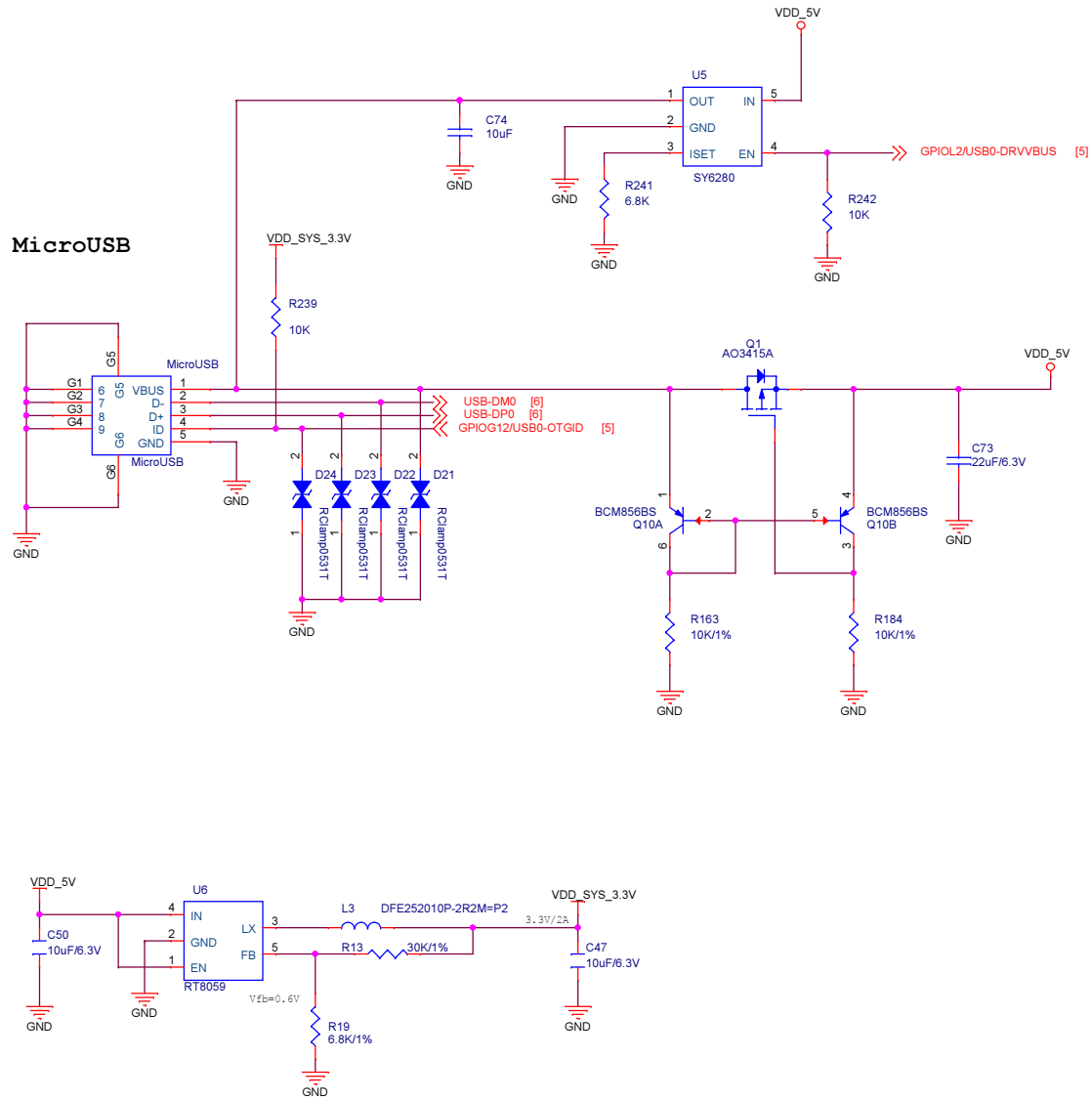
# POWER 01



**FRIENDLYARM**

NanoPi NEO Air		
Size A3	Document Number 07:Power-01	Rev 1608
Date: Wednesday, September 28, 2016	Sheet 7	of 13

# POWER 02

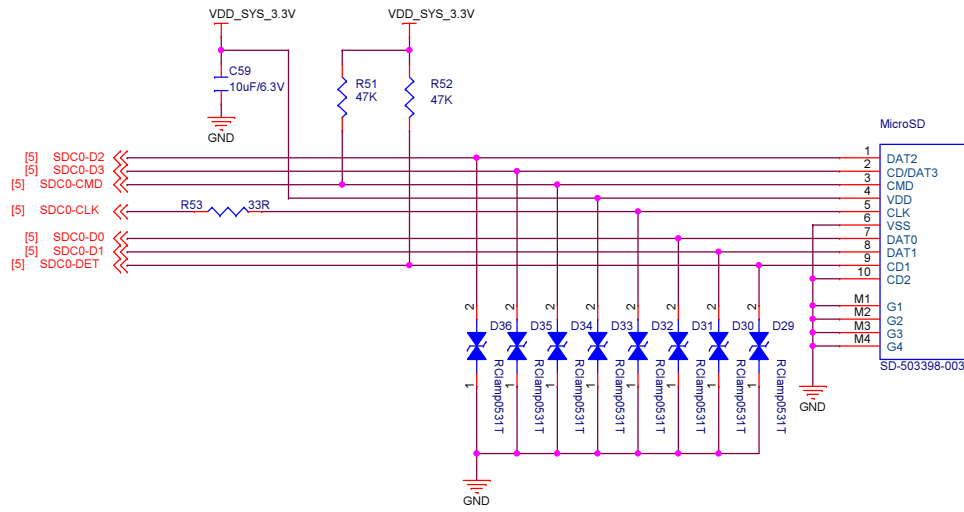


**FRIENDLYARM**

NanoPi NEO Air		
Size A3	Document Number 08:Power-02	Rev 1608
Date:	Wednesday, September 28, 2016	Sheet 8 of 13



# MicroSD

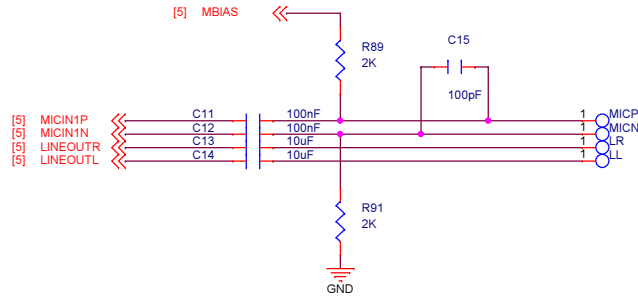
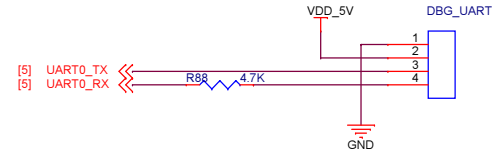
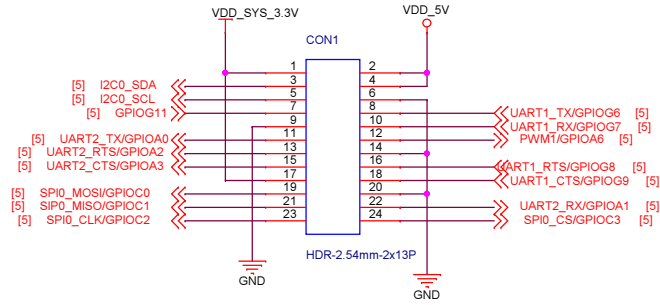


**FRIENDLYARM**

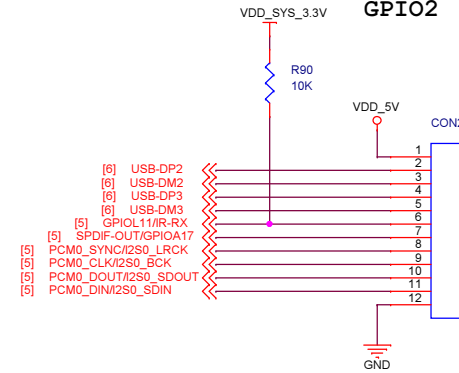
NanoPi NEO Air		
Size A3	Document Number 09:MicroSD	Rev 1608
Date:	Wednesday, September 28, 2016	Sheet 9 of 13

# GPIO

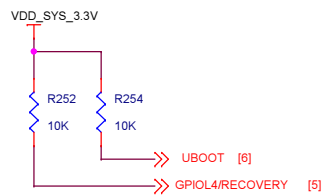
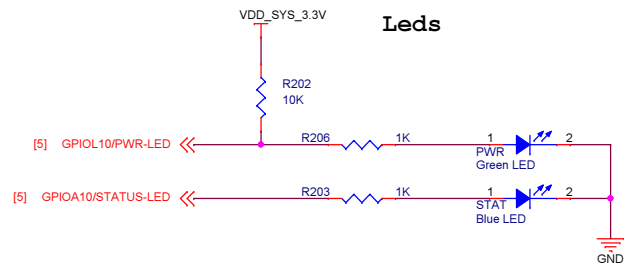
## GPIO1



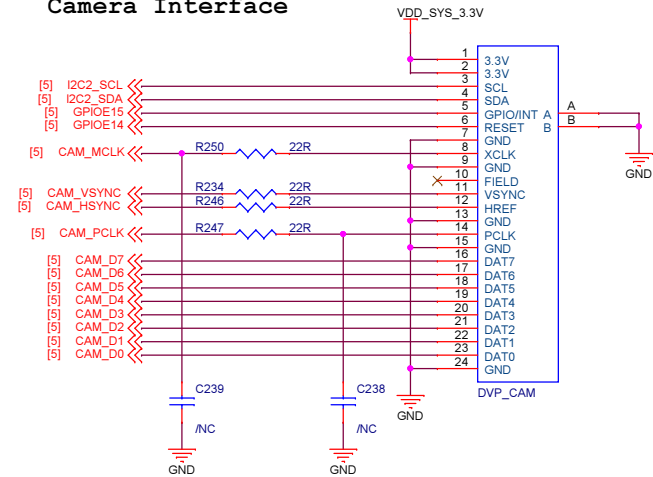
## GPIO2



# LEDs, LAN, Keys



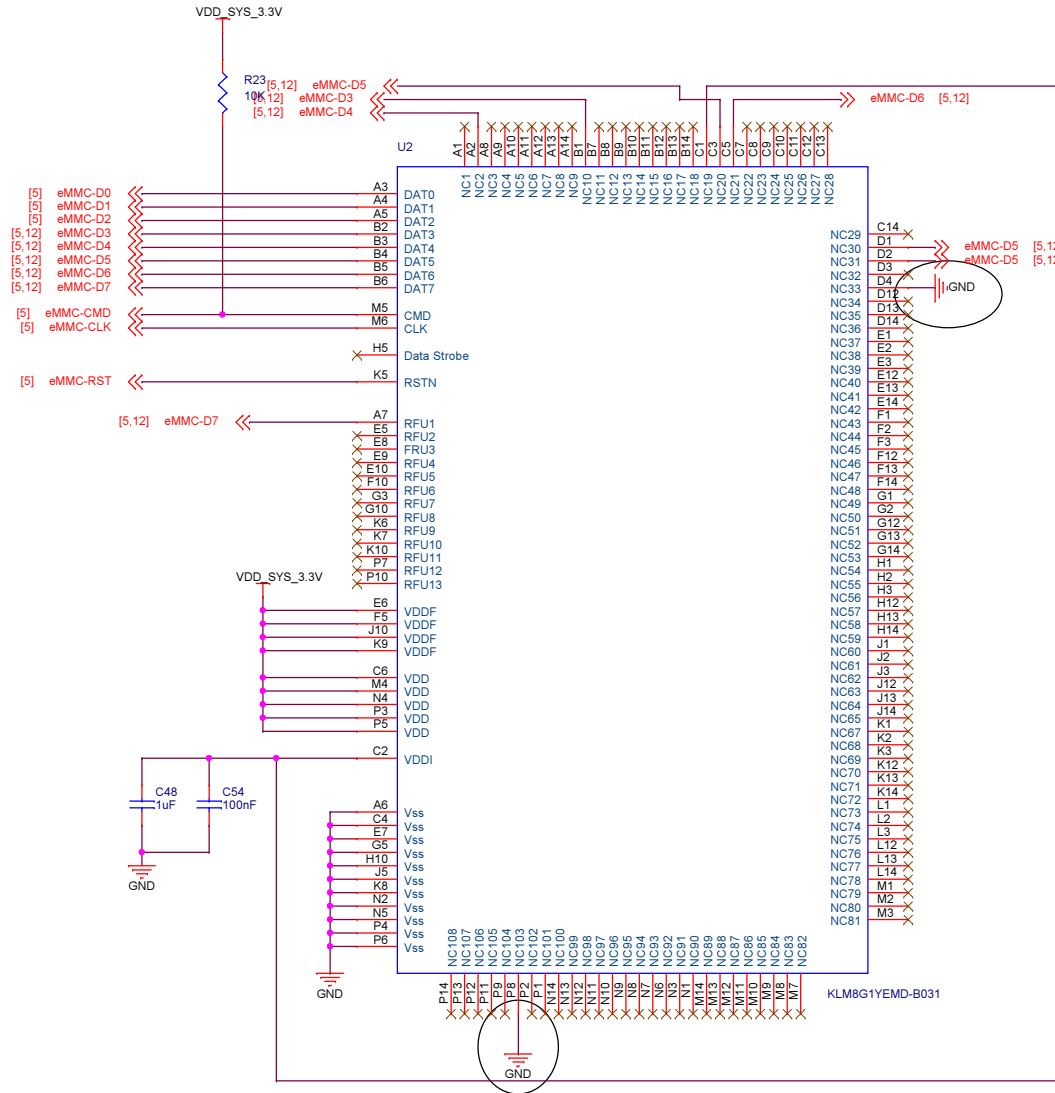
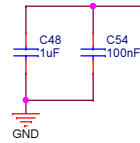
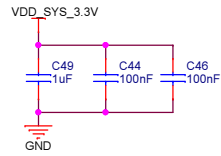
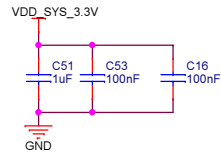
## Camera Interface



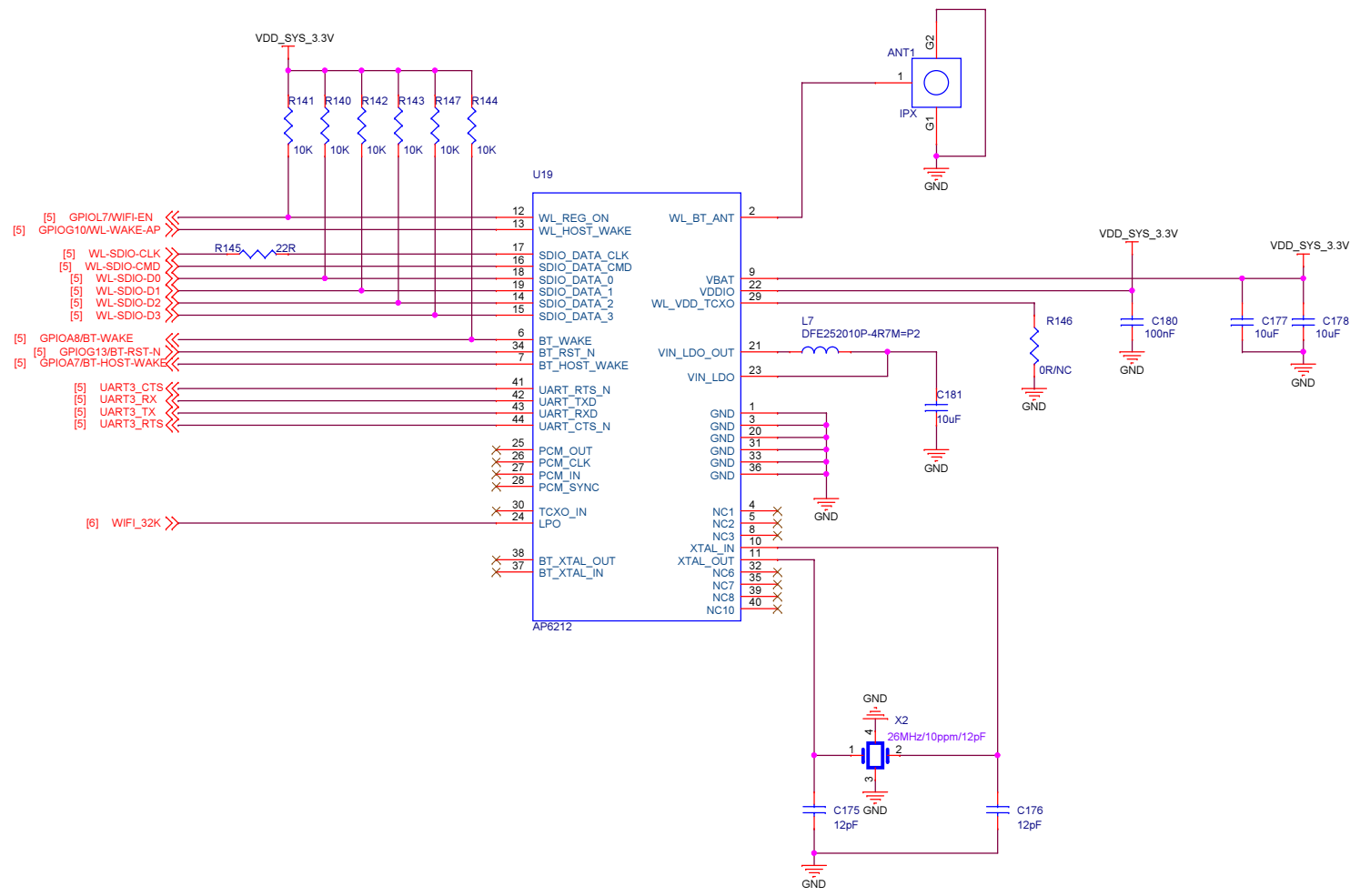
**FRIENDLYARM**

NanoPi NEO Air		
Size A3	Document Number 12:LEDs, Camera, Keys	Rev 1608
Date:	Wednesday, September 28, 2016	Sheet 11 of 13

# eMMC



NanoPi NEO Air		
Size A3	Document Number 13:eMMC	Rev 1608
Date:	Wednesday, September 28, 2016	Sheet 12 of 13



NanoPi NEO Air		
Size A3	Document Number 14-AP6212	Rev 1608
Date: Wednesday, September 28, 2016	Sheet 13	of 13