

LogiLink®

USB Table Charger 8 Port, 44W

Art. No.: PA0140



PA0140 provides multiple charging solution for households and office. It will solve the need to charge multiple electronics simultaneously, bringing the convenience to your life.

Features:

- » Input: 100-240V AC
- » Output: 5V8.8A (44W) max
- » Supports: OCP, OVP, OTP short circuit protection
- » Built in intelligent IC, compatible with iPhone/iPad/mobile devices/Tablet PC/power banks and other 5V devices
- » LED indication
- » Able to charge 8 devices at the same time
- » Suitable for family gatherings, office meetings and school's classrooms



Specification:

Input	100V~240VAC 50/60Hz
Output	5V2.4A x8 (5V8.8A max)
Ripple & Noise	≤150mV
USB Port	8 ports
Efficiency	≥84.48%
Operating Temperature Range	0~35°C
Storage Temperature Range	-20°C ~ 80°C
Storage Relative Humidity	10% ~ 90% RH
Output Over Current Protection	2.4A port: 2.5A ~ 3.0A (max)
Color	Black
Dimension	124mm x 65.4mm x 33mm
Weight	300g



RoHS
compliant



* The specifications and pictures are subject to change without notice.
*All trade names referenced are the registered namework of their respective owners.



PA0140



Made in China

Best Connectivity

LogiLink®

USB Table Charger 8 Port, 44W

Art. No.: PA0140

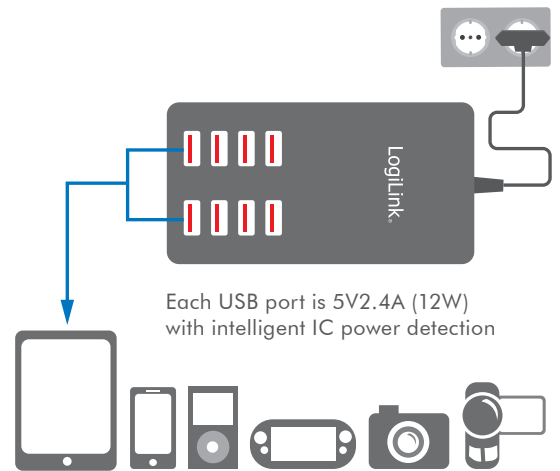


Package Contents:

- » 1 x USB Table Charger
- » 1 x Power Cable
- » 1 x User Manual

Package Informations:

- » Packing Dimension: 170 x 150 x 50mm
- » Packing Weight: kg
- » Carton Dimension: mm
- » Carton Q'ty: pcs
- » Carton Weight: kg



Best Connectivity



RoHS
compliant



* The specifications and pictures are subject to change without notice.
* All trade names referenced are the registered trademark of their respective owners.



PA0140



Made in China