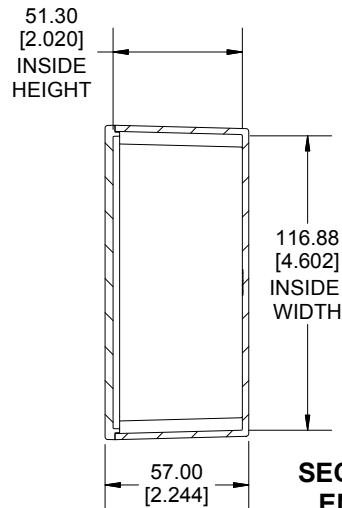
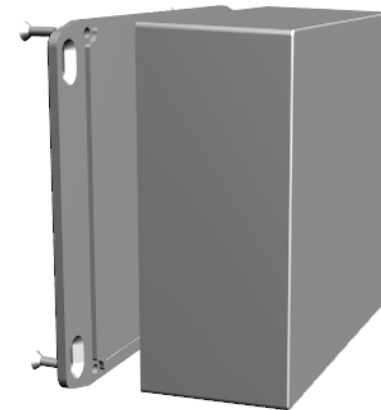


TOP VIEW



**SECTION A-A
END VIEW**



Enclosures can be Factory Modified (Milling, Drilling, Printing etc.)
 Contact Factory mjm@hammondmfg.com for quotes
 Solid models of this enclosure available in STEP or IGES.
 (Part number and text placement/orientation on our products are subject to change,
 we do not recommend using them as a locating reference for modification purposes)

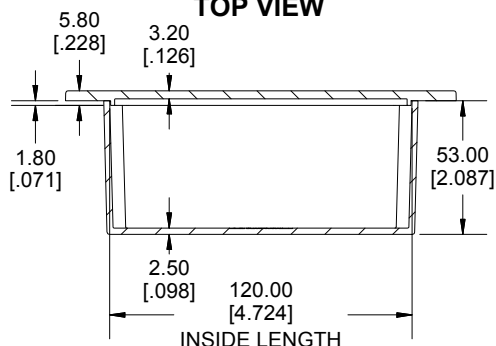
NOTE

Purchased assembly includes box, lid and 4 cover screws.
 Box and lid are made from Diecast Aluminum Alloy.
 Silicone Gasket supplied with liquid resistant enclosure.

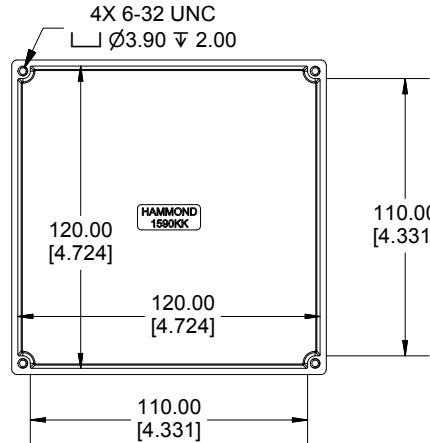
Recommended Torque: 50-55 cN.m [71-78 ozf.in]

Recommended Torque with Gasket : 25-30 cN.m [36-43 ozf.in]

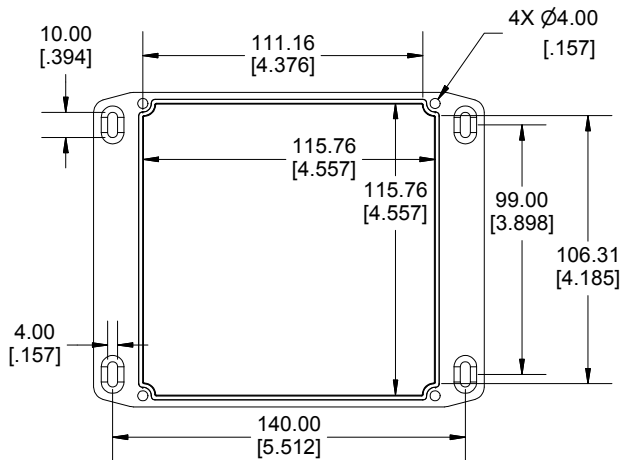
PART NUMBERS	
1590KKFL Enclosure	
Natural Finish Enclosure	1590KKFL
Black Textured Enclosure	1590KKFLBK
1590KKFL Liquid Resistant Enclosure (Silicone Gasket)	
Natural Finish Enclosure	1590WKKFL
Black Textured Enclosure	1590WKKFLBK
ACCESSORIES	
Liquid Resistant Cover Screws	
Stainless Steel Cover Screws (Pkg 100) [6-32 x 1/2" With O-Ring]	1590WMS100
Black Stainless Steel Cover Screws (Pkg 100) [6-32 x 1/2" With O-Ring]	1590WMS100BK
Standard Cover Screws	
Plated Cover Screws (Pkg 100) [6-32 x 1/2"]	1590MS100
Black Cover Screws (Pkg 100) [6-32 x 1/2"]	1590MS100BK



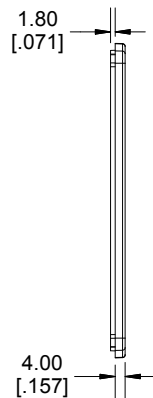
**SECTION B-B
SIDE VIEW**



INSIDE BOX



INSIDE LID



Dimensions:
mm
[inches]

**HAMMOND
MANUFACTURING®**

1590KKFL

www.hammondmfg.com