

EKMC (VZ) series

Current consumption **170μA**

Digital output

EKMB series



Standard detection type



Long distance detection type



Wall installation type

> Economy type suitable for a wide range of applications

Recommended applications

Lighting control, lighting equipment, heaters, ventilators or air conditioners, security equipment for IP cameras, intrusion alarms, digital signage, vending machines, multi-function printers, display panels for meeting rooms, PCs

Lensless type available

170μA type: EKMC1600100

EKMC series

Specifications

Detection performance	Model no.	Current consumption	Lens color	Output type	Detection distance	Detection area		Detection zones
						Horizontal	Vertical	
Standard detection type 	EKMC1601111	170μA	White	Digital	5m	94° (106°)	82° (97°)	64
	EKMC1601112		Black					
	EKMC1601113		Pearl white					
Long distance detection type 	EKMC1603111		White		12m	102° (108°)	92° (99°)	92
	EKMC1603112		Black					
	EKMC1603113		Pearl white					
Wall installation type 	EKMC1604111		White		12m (1st step lens) 6m (2nd step lens) 3m (3rd step lens)	40° (55,6°)	105° (112°)	68
	EKMC1604112		Black					
	EKMC1604113		Pearl white					

Ordering information

EKMC16 **1**

● PaPIRs motion sensor

● Detection (Lens)

00: Lensless / 01: 5m distance standard /
03: 12m long distance / 04: Wall installation type

● Lens color

0: Lensless / 1: White /
2: Black / 3: Pearl white

● Lens

0: Lensless / 1: with lens

AMN series

Characteristics

> Maximum rated values

Items	Value
Power supply voltage	-0.3 to 7V
Ambient temperature	-20 to +60°C (no frost, no condensation)
Storage temperature	-20 to +70°C

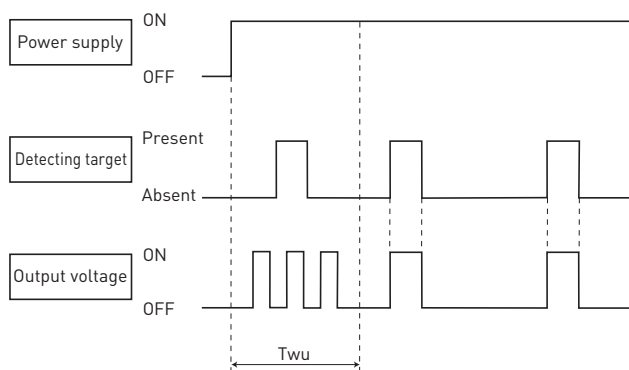
> Electrical characteristics

Items	Symbol	EKMC(VZ) type	Conditions
Operating voltage	Max	Vdd	6.0V
	Min		3.0V
Current consumption (in standby mode) Note 1)	Ave	Iw	170μA Ambient temperature: 25°C Iout=0 Vdd: 5V
Output current (during detection) Note 2)	Max	Iout	100μA Ambient temperature: 25°C Vout ≧ Vdd-0.5
Output voltage (during detection period)	Min	Vout	Vdd · 0.5V Ambient temperature: 25°C Open at no detection
Circuit stability time (when voltage is applied)	Max	Twu	30 sec Ambient temperature: 25°C Iout=0 Vdd: 5V

Note 1) Current consumption during detection period is the total value of current consumption in standby mode add to output current.

Note 2) Please select an output resistors (pull-down concept) in accordance with Vout so that the output current is lower than or equal to 100μA. If the output current is more than 100μA, this may cause false alarms.

Timing chart



[Explanation of the timing]

Twu: Circuit stability time: max. 30 sec

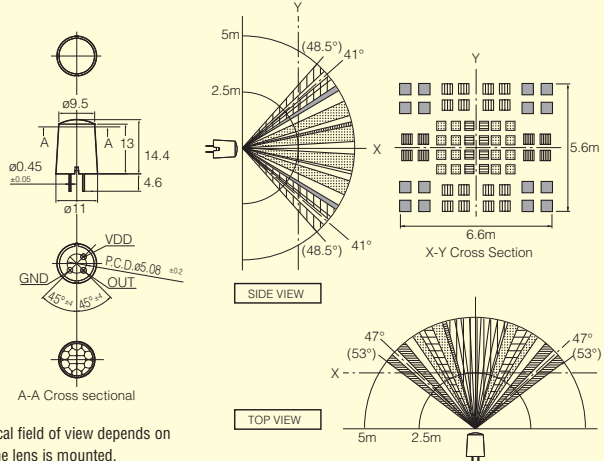
During this stage, the output's status is undefined (ON/OFF) and detection is therefore not guaranteed.

Lenses for the EKMB/EKMC series

Dimension (mm)	Detection zone	Detection characteristics
----------------	----------------	---------------------------

Standard detection type

CAD data



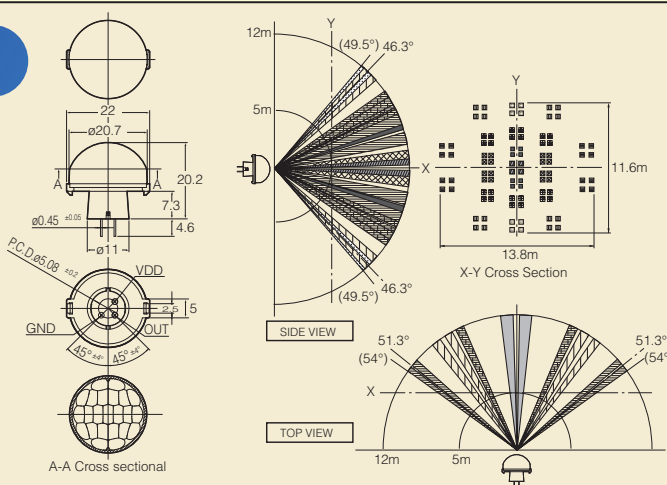
Please note that the horizontal and vertical field of view depends on the position of the metal tab on which the lens is mounted.

Detection distance	Max. 5m*
Field of view	94°x82° (106°x97°)
Detection zone	64 beams
Detection condition ▲	<ul style="list-style-type: none"> The temperature difference between the target and the surroundings must be higher than 4°C. Movement speed: 1.0m/s Target concept: Human body with an approx. size of 700x250mm Target moving direction: Crossing the detection beam.

* Under specified detection conditions
▲ Please refer to "Caution for use" (page 13) and "Basic principles" (page 13, point 5), for more details

Long distance detection type

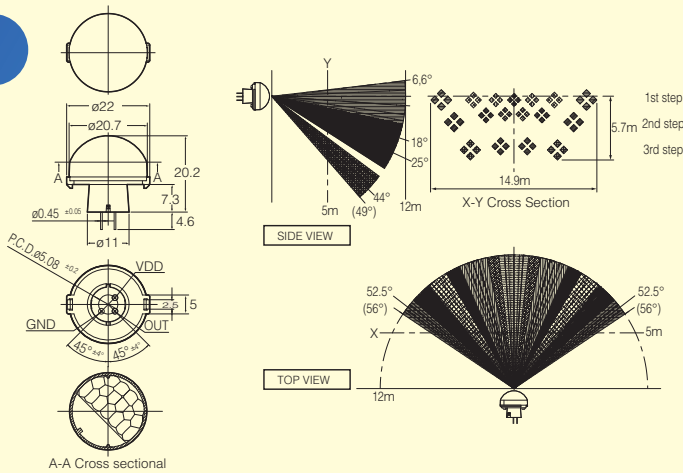
CAD data



Detection distance	Max. 12m*
Field of view	102°x92° (108°x99°)
Detection zone	92 beams
Detection condition ▲	<ul style="list-style-type: none"> The temperature difference between the target and the surroundings must be higher than 4°C. Movement speed: 1.0m/s Target concept: Human body with an approx. size of 700x250mm Target moving direction: Crossing the detection beam.

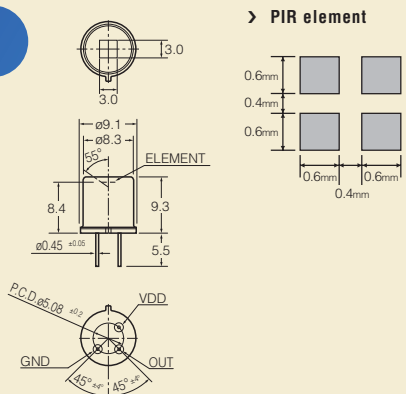
Wall installation type

CAD data

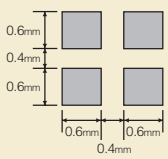


Detection distance	1st step lens	Max. 12m*
	2nd step lens	Max. 6m*
	3rd step lens	Max. 3m*
Field of view	40°x105° (55.6°x112°)	
Detection zone	68 beams	
Detection condition	<ul style="list-style-type: none"> The temperature difference between the target and the surroundings must be higher than 4°C. Movement speed: 1.0m/s Target concept: Human body with an approx. size of 700x250mm Target moving direction: Crossing the detection beam. 	

Lensless type



> PIR element



Please contact your local sales representative for detailed specifications.

Detection sensitivity	<p>Average: 5.6μW/cm²</p> <p>Maximum: 7.6μW/cm²</p>
-----------------------	---

* Detection sensitivity is measured by following system

> Test setup

