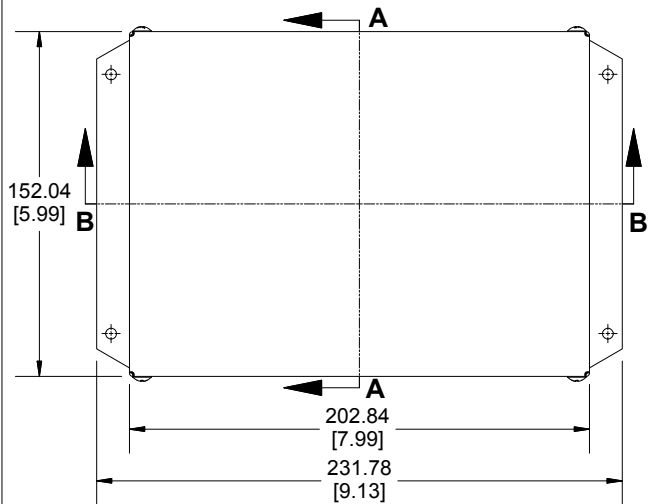
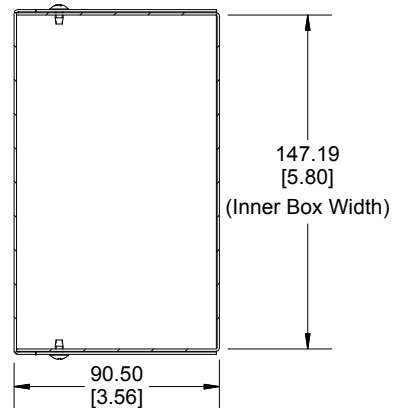


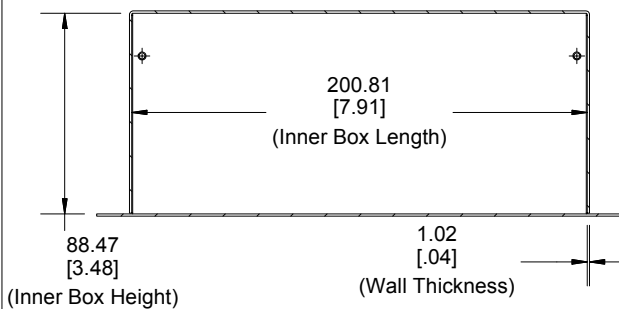
Top View of Assembly



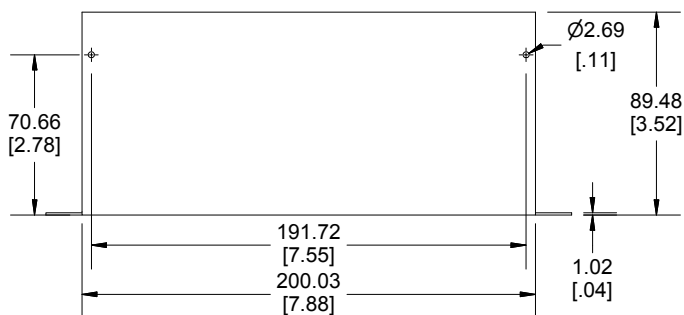
**SECTION A-A
End View of Assembly**



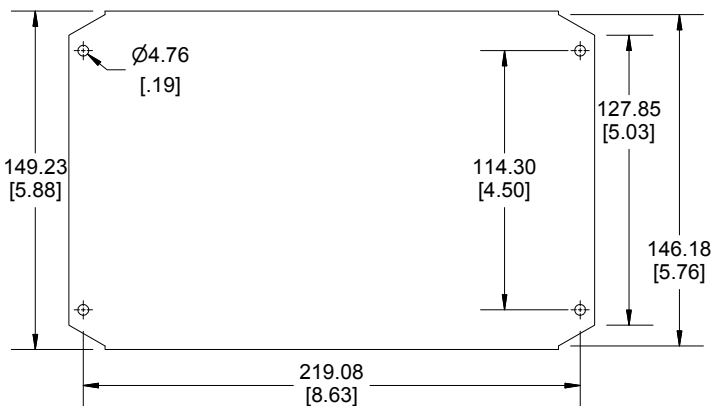
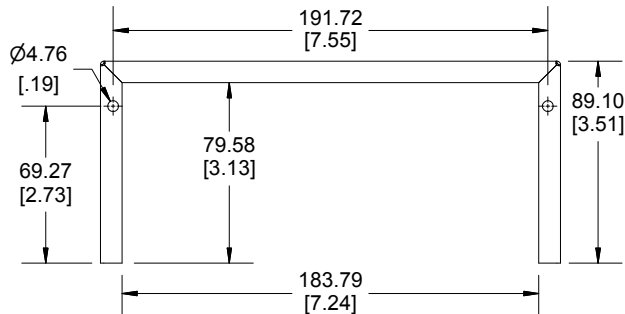
**SECTION B-B
Side View of Assembly**



Side View of Flanged Bottom



Side View of Cover



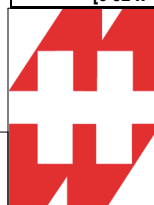
Enclosures can be Factory Modified (Milling, Drilling, Printing etc.)
Contact Factory mjm@hammondmfg.com for quotes
Solid models of this enclosure available in STEP or IGES.

NOTE

Purchased assembly includes flanged bottom, cover and 4 cover screws.
Bottom and cover are made from 0.04" Aluminum Panels.

PART NUMBERS

1411FBR Enclosure	
Natural Finish Enclosure	1411FBRU
Black Enclosure	1411FBRBK
ACCESSORIES	
Plated Cover Screws (Pkg 6)	1421J6
[6-32 x 1/4" Self-Tapping Screws]	
Black Cover Screws (Pkg 6)	1421J6BK
[6-32 x 1/4" Self-Tapping Screws]	



**HAMMOND
MANUFACTURING™**

1411FBR

www.hammondmfg.com

Dimensions:
mm
[inches]