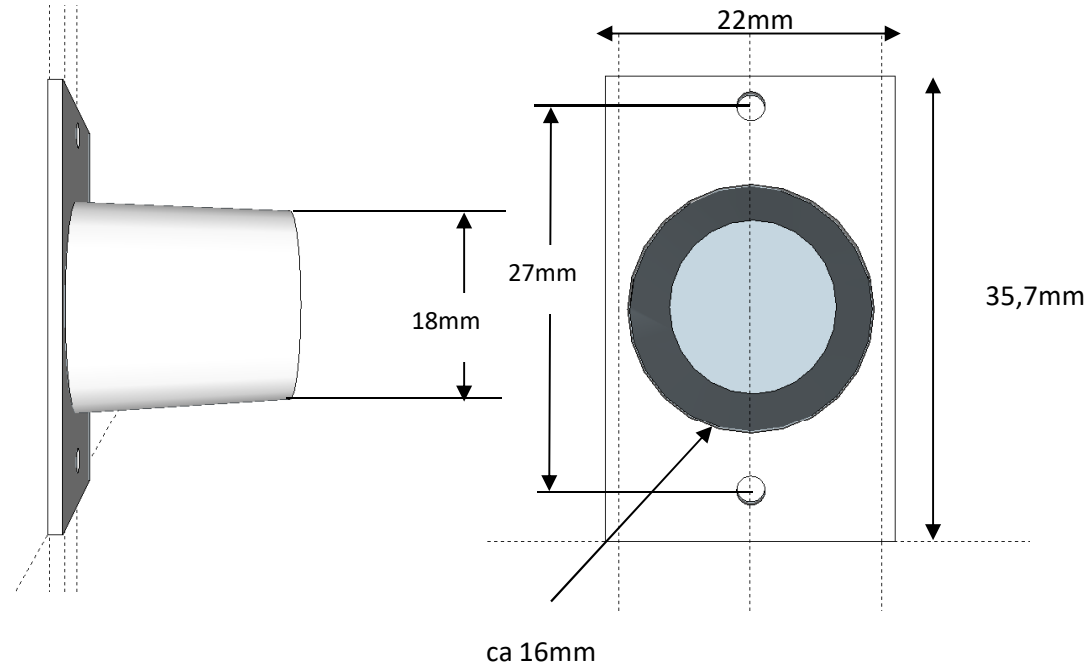


	REVISED	DR	APP



1	CONNECTORS	CANNON XLR PLUG PANEL MOUNT
2	MOLDING	
3	CABLE	
NO	PART NAME	



DESCRIPTION		CANNON XLR PLUG PANEL MOUNT					
SIZE	A4	DATE	13.01.2016	CHECKED		TOL	55001
UNIT	MM	DRAWN	R.Hueller	APPROVED			