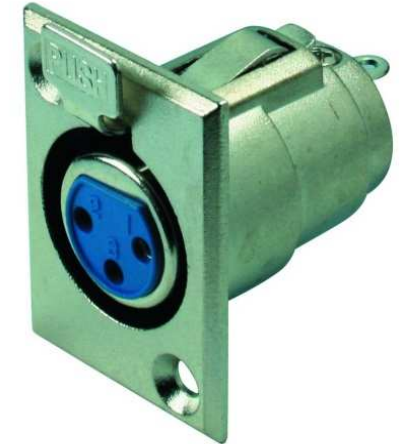
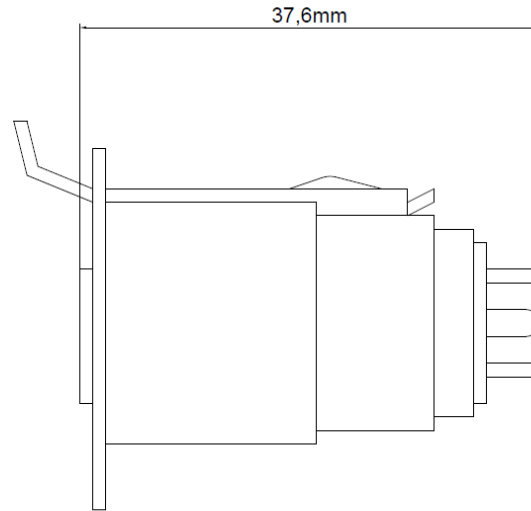
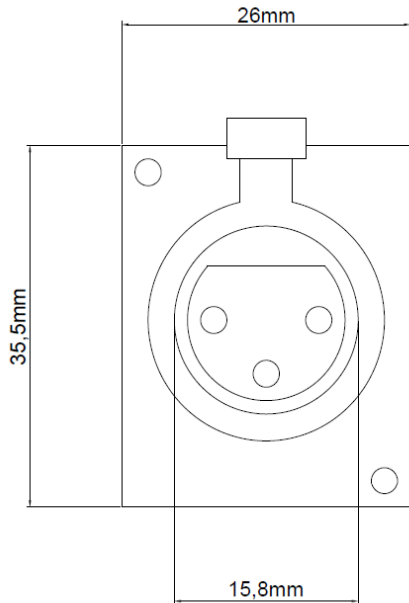


	REVISED	DR	APP



1	CONNECTORS	CANNON / XLR JACK PANEL MOUNT, SOLDERING TYPE
2	MOLDING	
3	CABLE	
NO	PART NAME	



DESCRIPTION		CANNON / XLR JACK PANEL MOUNT, SOLDERING TYPE					
SIZE	A4	DATE	13.01.2016	CHECKED		TOL	
UNIT	MM	DRAWN	R.Hueller	APPROVED			55021