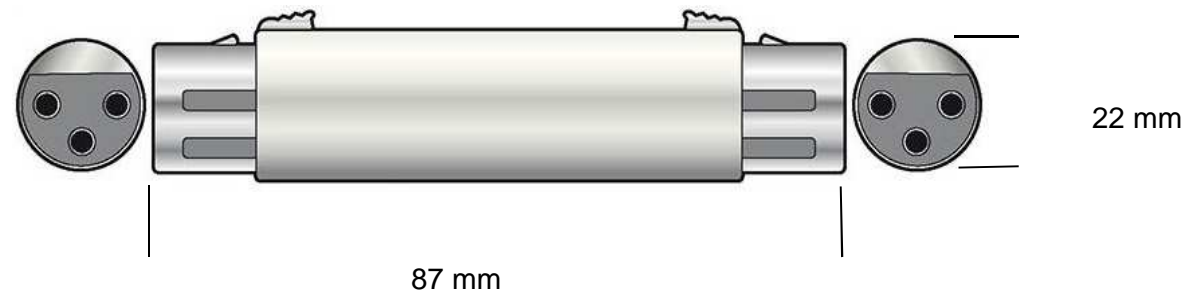


	REVISED	DR	APP



1	CONNECTORS	CANNON XLR JACK - CANNON XLR JACK
2	MOLDING	
3	CABLE	
NO	PART NAME	



DESCRIPTION		CANNON XLR JACK - CANNON XLR JACK					
SIZE	A4	DATE	13.01.2016	CHECKED		TOL	
UNIT	MM	DRAWN	R.Hueller	APPROVED			55071