

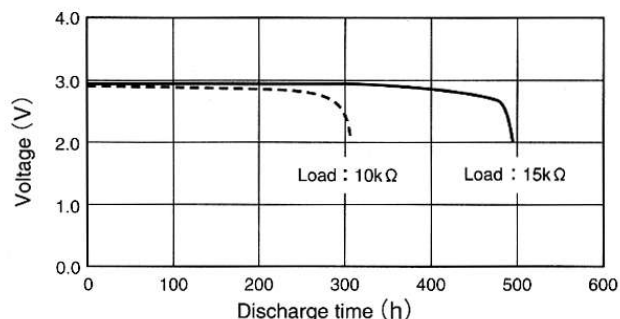
# GP Batteries

## Data Sheet

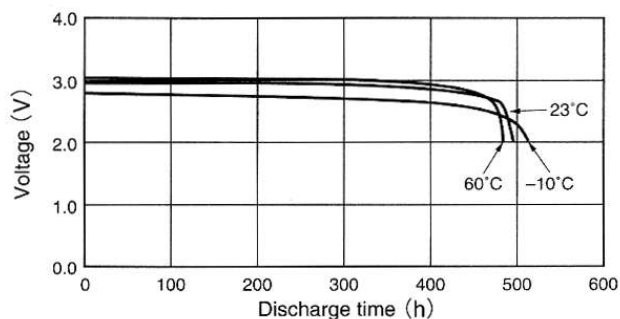
Model No.: CR2016

Description : Flat Lithium Battery  
 Chemical system : Lithium Manganese Dioxide  
 Nominal voltage : 3 Volts  
 Nominal capacity : 90mAh  
 Dimensions :  $\varnothing 20.0 \times 1.6\text{mm}$   
 Shelf life : 5 years at room temperature  
 Average weight : 1.7 grams  
 Applications : Computer memory back up,  
 photo

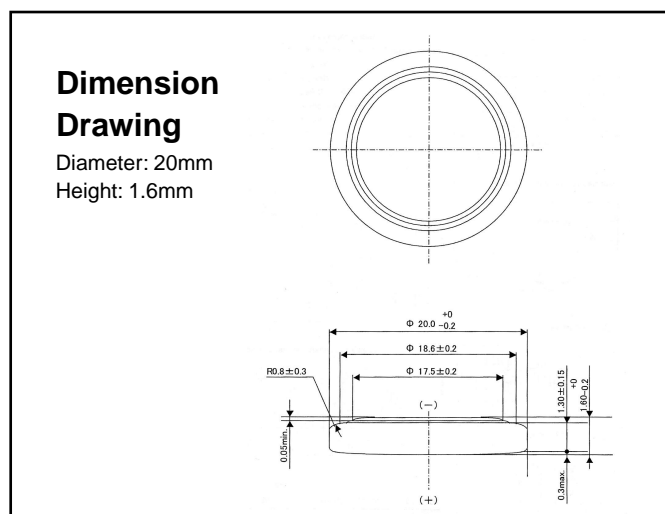
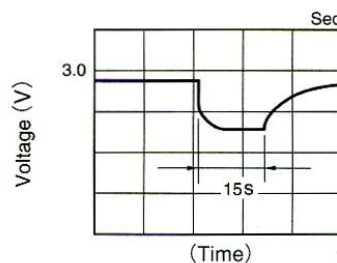
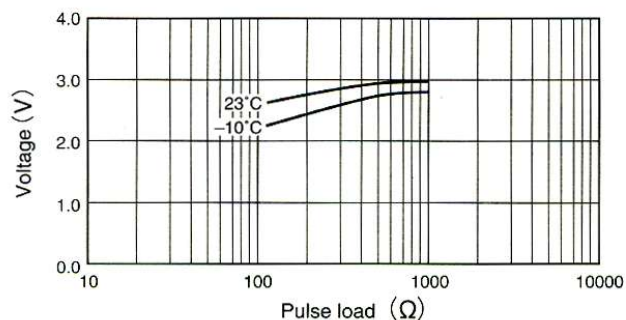
### Discharge Characteristics on Load



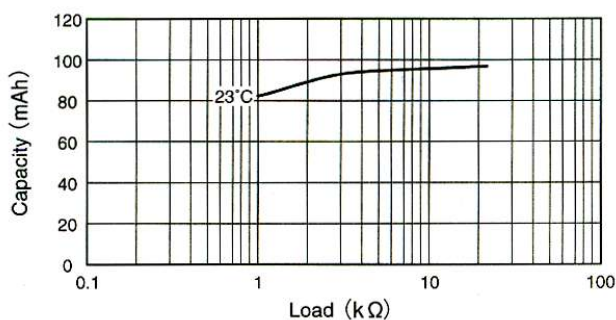
### Discharge Characteristics on Temperature



### Discharge Characteristics on Pulse Load



### Discharge Load vs. Discharge Capacity



### Cross References:

IEC	JIS	Eveready	Varta	Duracell
CR2016	CR2016	ECR2016	CR2016	DL2016