

Safety Instructions

1, 2, 3, 4, 5, 6, 7, 9, 10, 11, 12,
13, 14, 17, 18, 19, 20, 21, 25,
26, 29, 32, 33, 34



Info Hotline



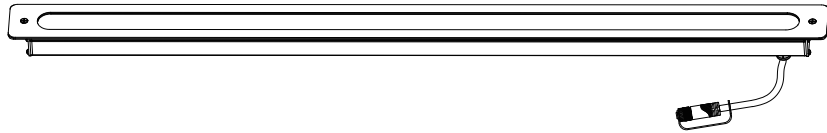
+49 (0) 5041 998 389

Mon. - Do. 7⁰⁰ - 20⁰⁰
Fr. 7⁰⁰ - 17⁰⁰

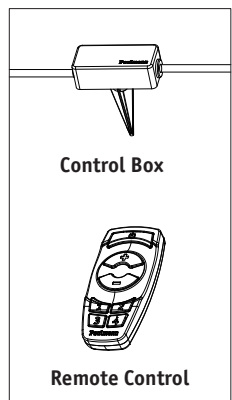
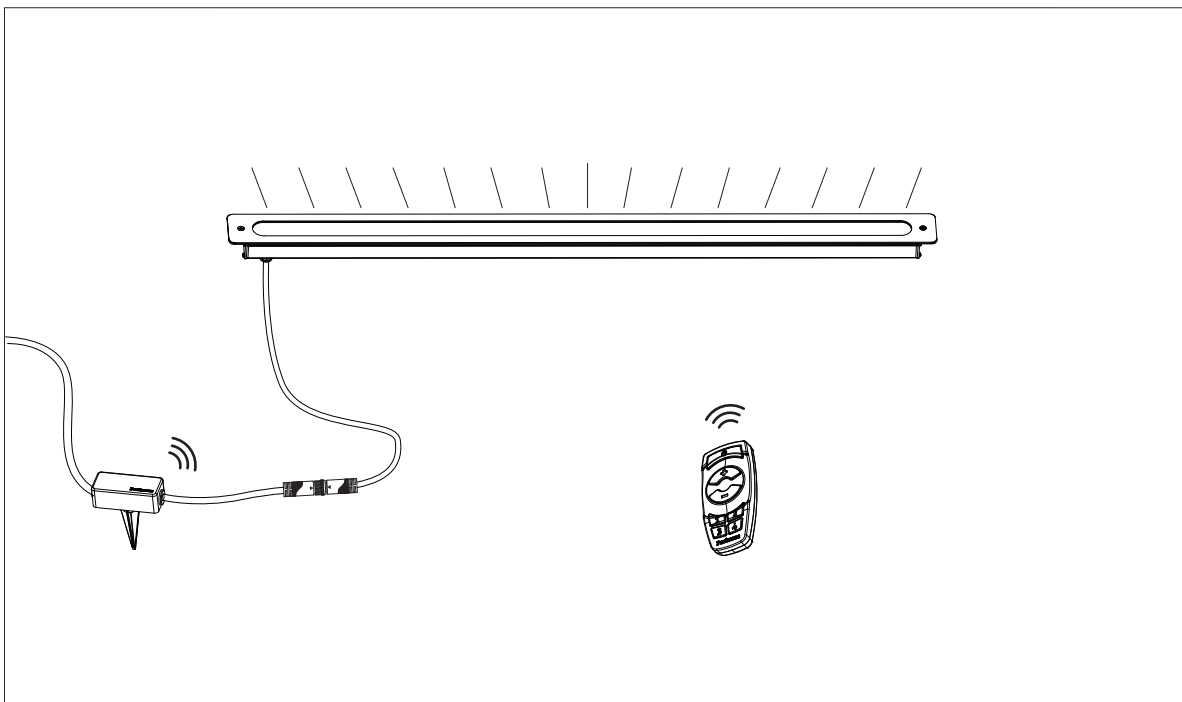
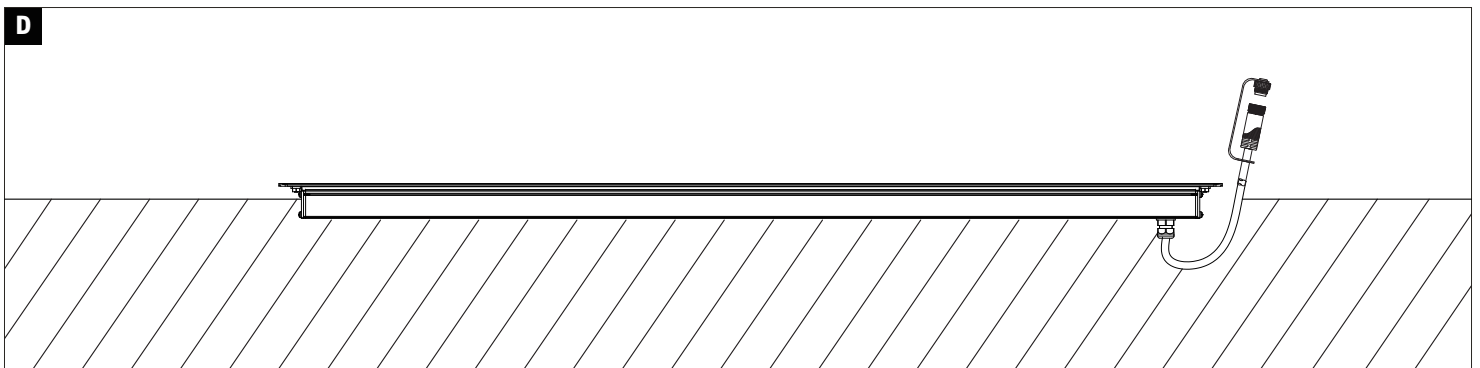
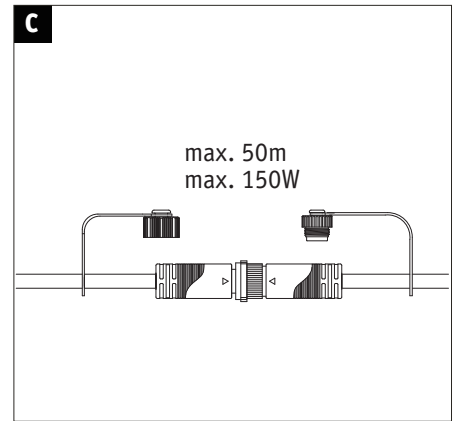
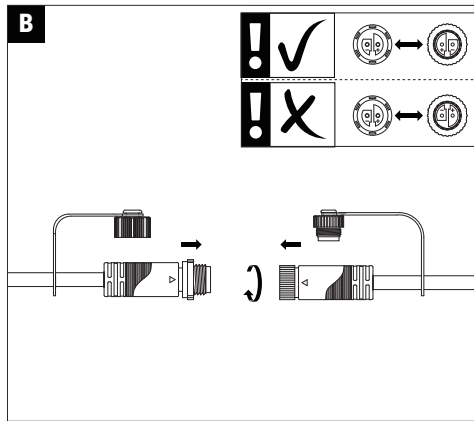
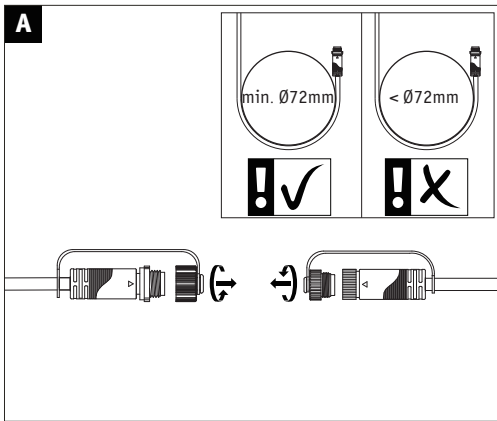
Paulmann Licht GmbH
Quezinger Feld 2
31832 Springe
Germany

www.paulmann.com

Art.-Nr.: **939.21**
(+MA 326) PH01/17



1x



not incl.

Paulmann
Art.-Nr. 180.11