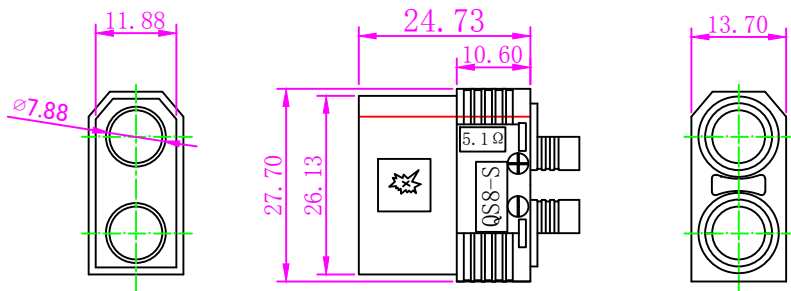
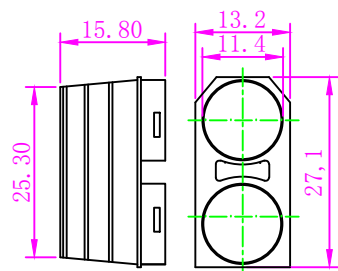
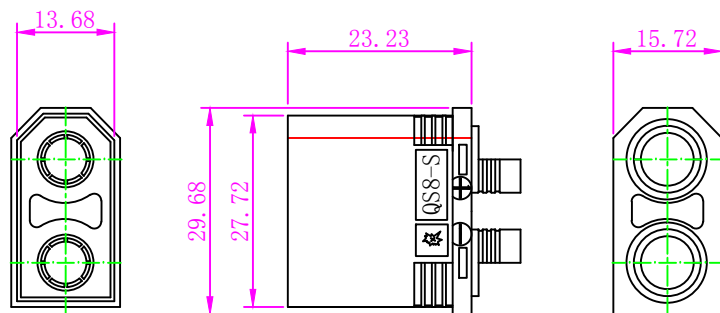


Female



Male



Part No. : QS8-S
 Max Current : 180A
 Resistance : 0.51mΩ

Color: Black Blue
 Rated Current : 110A
 Nominal Voltage : 500V

REV.	CHANGE	DATE
[]		

序号	料号	品名	规格	QYY
客户确认 user		核准 Approve	审核 Checking	绘图 Drawing
			周华盛 16/11/10	CODE: QS8-S 防打火插头

UNIT	SCALE	VERSION		ALL DIMENSIONS ARE IN MM, UNLESS OTHERWISE SPECIFIED. TOL. ARE: (ON DECIMAL PLC) ±0.5 . X (DECIMAL PLC) ±0.10 . XX (DECIMAL PLC) ±0.05 X, (NO DECIMAL PLC) ±1, XX, (1. DECIMAL PLC) ±0.20,
MM	FREE	A0	SIZE:A4	
规格描述				
DESCRIPTION				