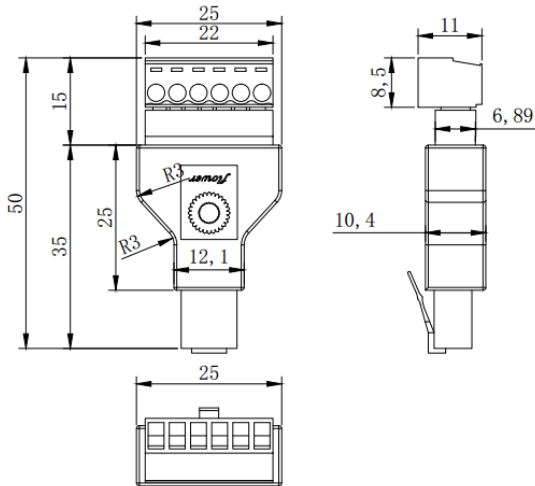
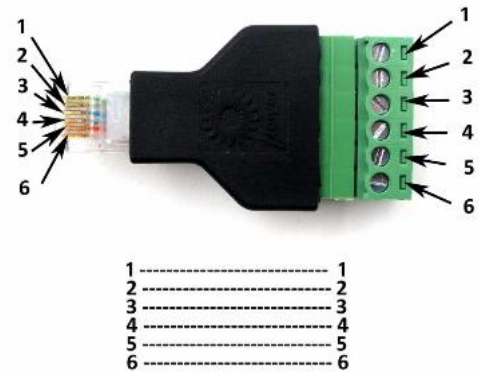


RJ12 to 6pin Connector, 6P6C



RJ12 Terminal Connection



Voltage Rating:	12 V/ DC
Current Rating:	1.5 A
Contact Resistance:	Max. 50 m Ohm
Insulating Resistance:	1000 M Ohm / 500 V/DC
Wire Cross Section:	Max 2.5 mm ²
Operating Temperature:	-20°C to +70°C
Operating Humidity:	0-90% RH
Storage Temperature	0°C to +70°C
Storage Humidity:	0-80% RH