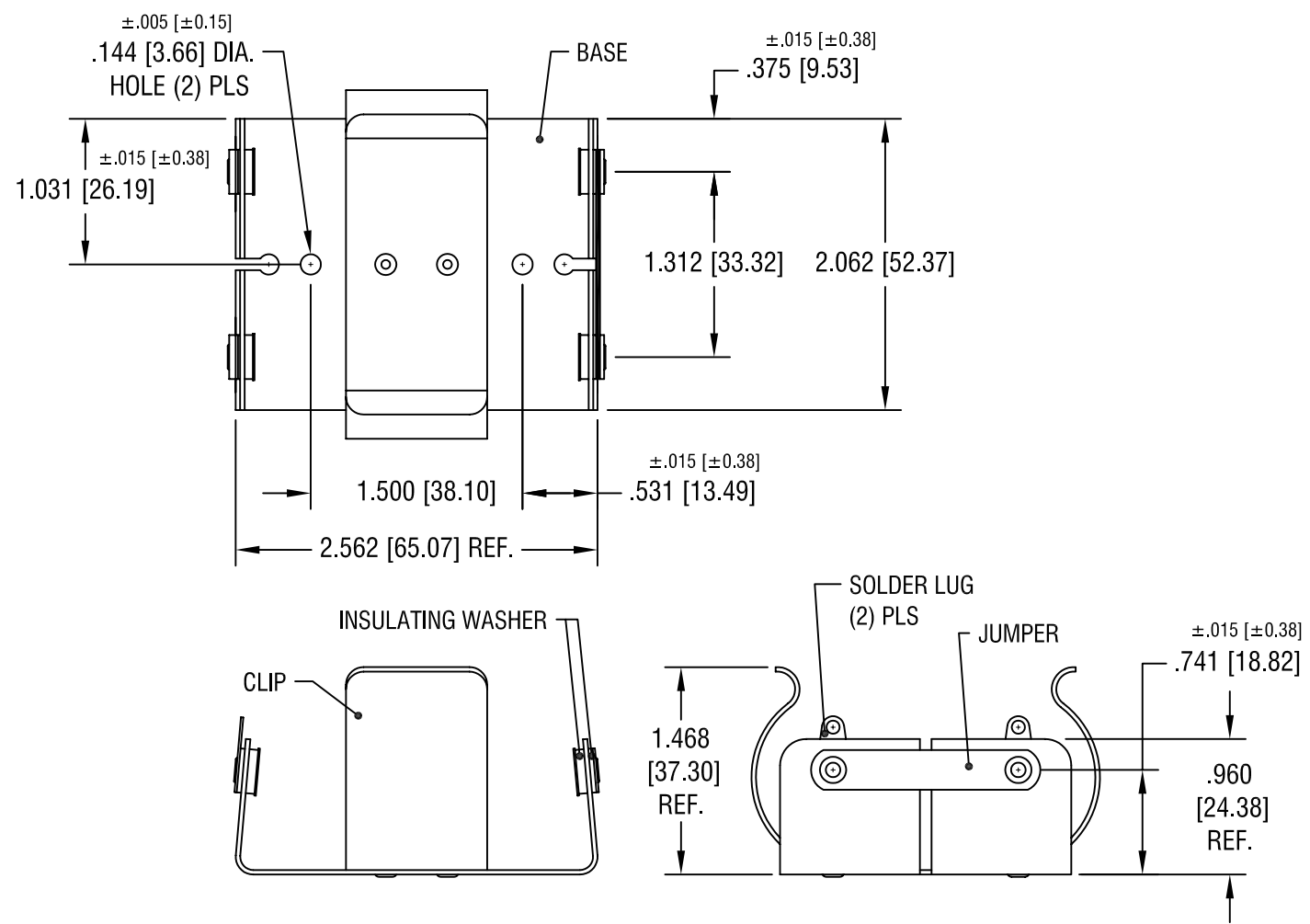


DATE	DESCRIPTION	REV.



- NOTES:
- 1. BASE: MAT'L - $.032 [0.81]$ TH'K ALUMINUM
 - CLIP: MAT'L - $.032 [0.81]$ TH'K ALUMINUM
 - SOLDER LUG: MAT'L - BRASS
FINISH - TIN PLATE
 - JUMPER: MAT'L - BRASS
FINISH - TIN PLATE

THIS DOCUMENT IS THE PROPERTY OF KEYSTONE ELECTRONICS CORP. AND SHALL NOT BE REPRODUCED, DISTRIBUTED OR USED AS A BASIS FOR MANUFACTURE WITHOUT PRIOR WRITTEN PERMISSION FROM KEYSTONE ELECTRONICS CORP.

KEYSTONE ELECTRONICS CORP.			
ASTORIA, N.Y. 11105-2017			
PART NAME			
BATTERY HOLDER, (2) 'D' CELLS			
MATERIAL			
AS NOTED			
FINISH		DRN BY	DATE
AS NOTED		BOONE	7.10.07
		APPD	SCALE
		LN	.8X
TOLERANCES	INCH [MM]	CODE	DWG NO.
DECIMAL	$\pm .010 [\pm 0.25]$	C	152
ANGULAR	$\pm 1^\circ$		
UNLESS OTHERWISE SPECIFIED			