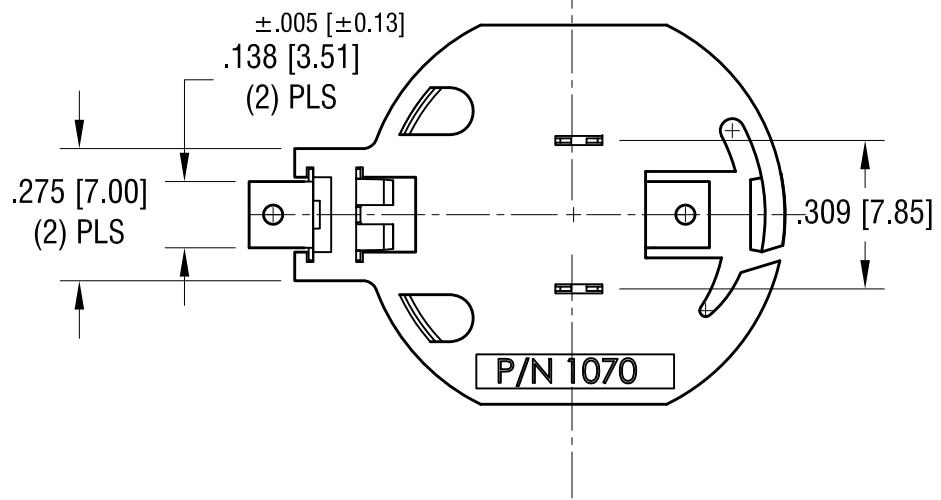
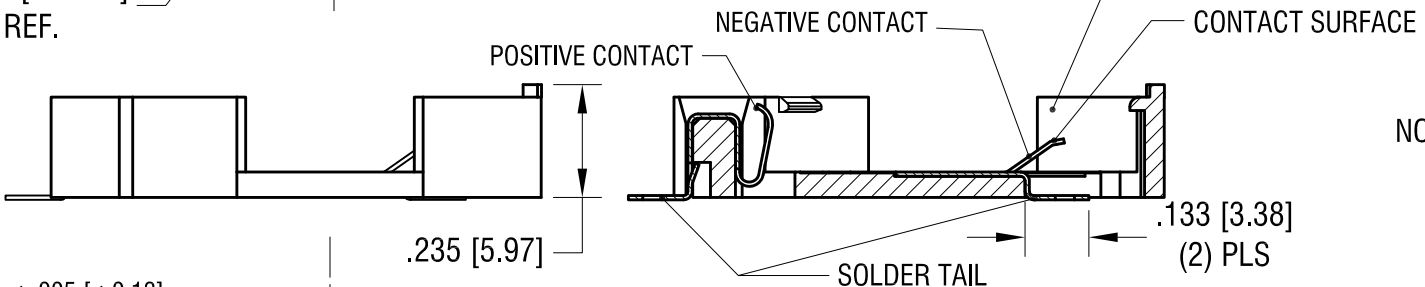
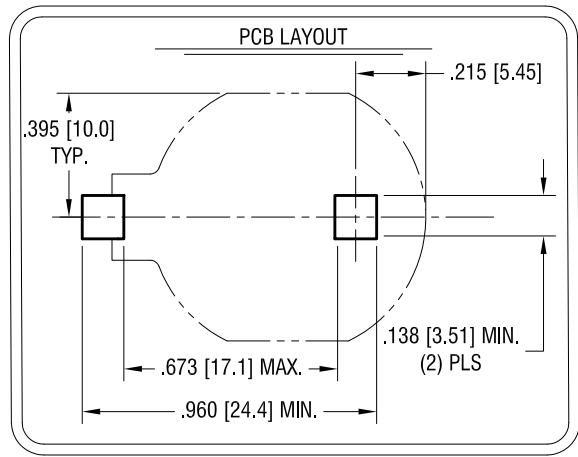
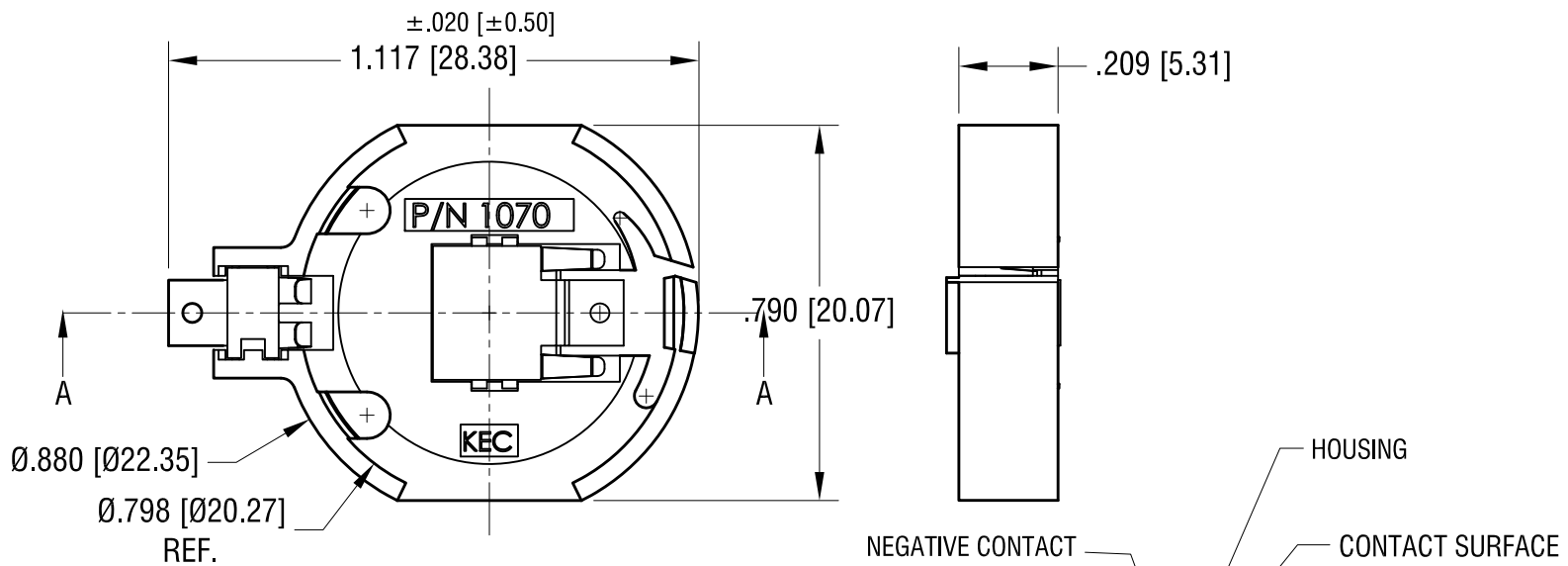
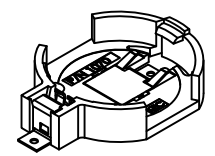


DATE	DESCRIPTION	REV.
4.28.14	CHANGE AS PER ECN 14-049	A



- NOTES:
1. BASE:
MAT'L - NYLON 46, UL 94V-0, BLACK COLOR
 2. POSITIVE CONTACTS:
MAT'L - .009 [0.23] TH'K PHOSPHOR BRONZE
FINISH: GOLD FLASH , OVER NICKEL PLATING
 2. NEGATIVE CONTACTS:
MAT'L - .009 [0.23] TH'K STAINLESS STEEL
FINISH: GOLD FLASH , OVER NICKEL PLATING



ACTUAL SIZE

THIS DOCUMENT IS THE PROPERTY OF KEYSTONE ELECTRONICS CORP. AND SHALL NOT BE REPRODUCED, DISTRIBUTED OR USED AS A BASIS FOR MANUFACTURE WITHOUT PRIOR WRITTEN PERMISSION FROM KEYSTONE ELECTRONICS CORP.

KEYSTONE ELECTRONICS CORP.			
www.keyelco.com • ASTORIA, N.Y. 11105-2017 • Tel (718) 956-8900			
PART NAME 2032 BATTERY HOLDER, SMT			
MATERIAL AS NOTED			
FINISH AS NOTED	DRN BY NT	DATE 11.07.13	
	APPD	SCALE 2.5X	
TOLERANCES INCH [MM] DECIMAL ±.010 [±0.25] ANGULAR ± 1° UNLESS OTHERWISE SPECIFIED	CODE C	DWG NO. 1070	