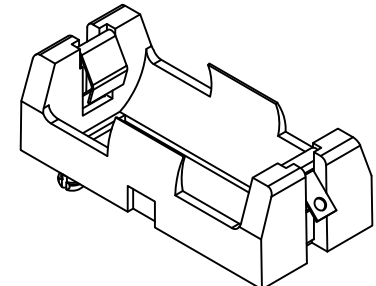
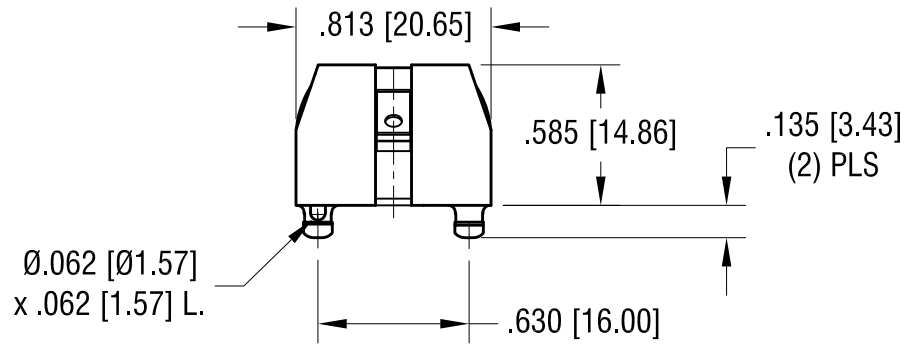
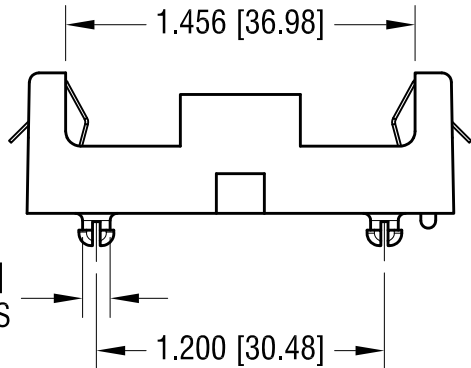
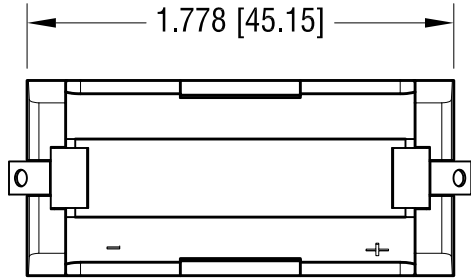
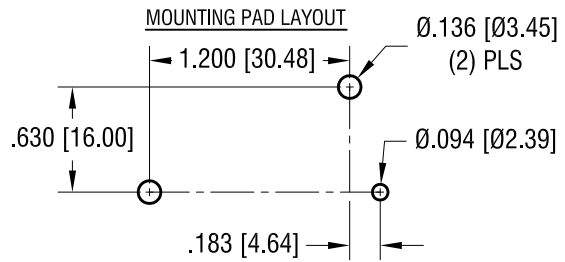


DATE	DESCRIPTION	REV.



NOTE:
 1. BASE:
 MAT'L: HEAT RESISTANCE NYLON STANYL 46 OR EQUIVALENT
 2. CONTACT:
 MAT'L: .012 THK STAINLESS STEEL
 FINISH: NICKEL PLATE.

KEYSTONE ELECTRONICS CORP.			
www.keyelco.com • ASTORIA, N.Y. 11105-2017 • Tel (718) 956-8900			
PART NAME SOLDER TAIL BATTERY HOLDER , 18350			
MATERIAL AS NOTED			
FINISH AS NOTED	DRN BY NT	DATE 1.23.15	
	APPD LN	SCALE 1.25X	
TOLERANCES INCH [MM] DECIMAL ±.010 [±0.25] ANGULAR ± 1° UNLESS OTHERWISE SPECIFIED	CODE C	DWG NO. 1101	

THIS DOCUMENT IS THE PROPERTY OF KEYSTONE ELECTRONICS CORP. AND SHALL NOT BE REPRODUCED, DISTRIBUTED OR USED AS A BASIS FOR MANUFACTURE WITHOUT PRIOR WRITTEN PERMISSION FROM KEYSTONE ELECTRONICS CORP.