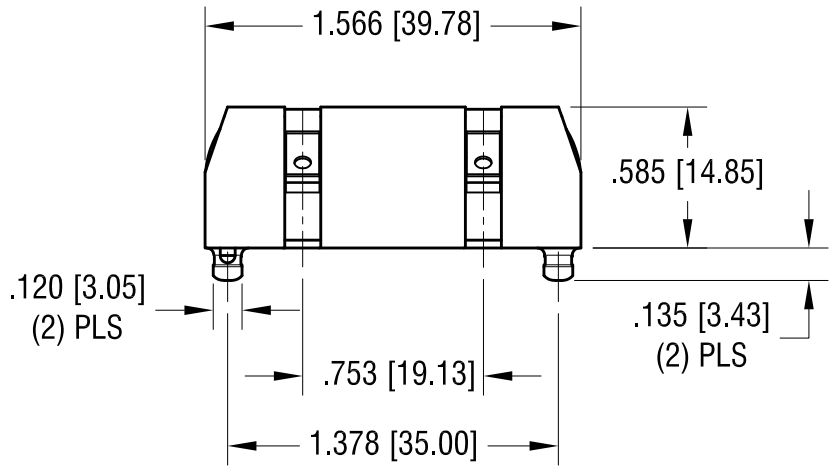
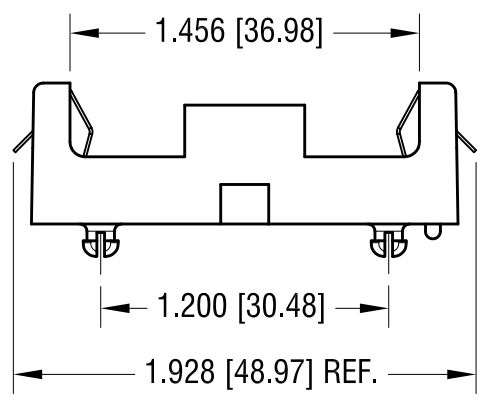
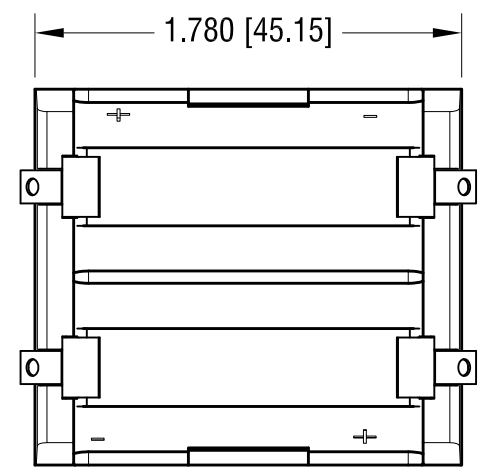
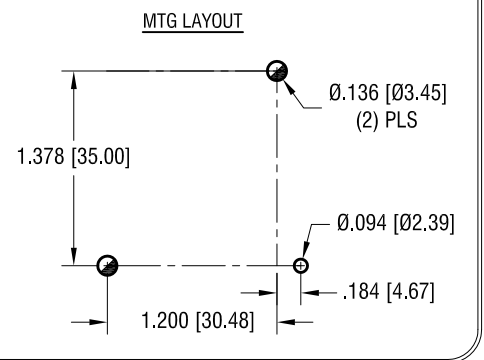
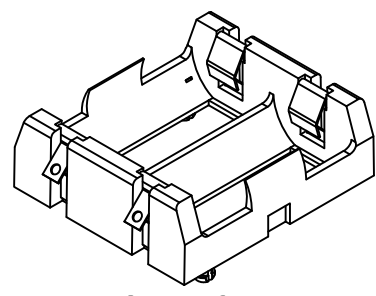


DATE	DESCRIPTION	REV.



NOTE:
 1. BASE:
 MAT'L: HEAT RESISTANCE NYLON
 STANYL 46 OR EQUIVALENT
 2. CONTACT:
 MAT'L: .012 THK STAINLESS STEEL
 FINISH: NICKEL PLATE.



THIS DOCUMENT IS THE PROPERTY OF KEYSTONE ELECTRONICS CORP. AND SHALL NOT BE REPRODUCED, DISTRIBUTED OR USED AS A BASIS FOR MANUFACTURE WITHOUT PRIOR WRITTEN PERMISSION FROM KEYSTONE ELECTRONICS CORP.

KEYSTONE ELECTRONICS CORP.			
www.keyelco.com • ASTORIA, N.Y. 11105-2017 • Tel (718) 956-8900			
PART NAME			
DUAL SOLDER TAIL BATTERY HOLDER, 18350			
MATERIAL			
AS NOTED			
FINISH	DRN BY	DATE	
AS NOTED	NT	1.12.15	
	APPD	SCALE	
	LN	1.25X	
TOLERANCES	INCH	[MM]	CODE
DECIMAL	± .005	[±]	C
ANGULAR	± 1°		
UNLESS OTHERWISE SPECIFIED			DWG NO.
			1102