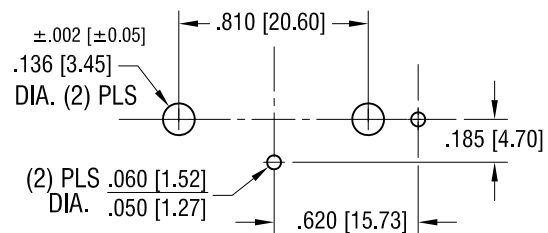
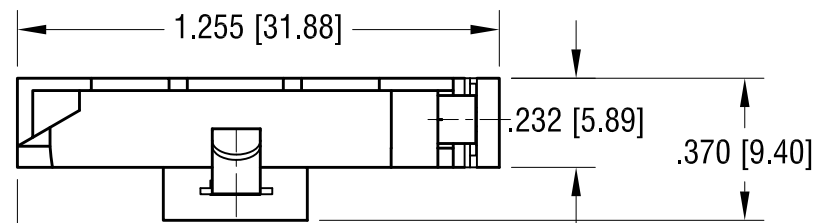


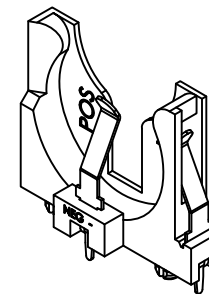
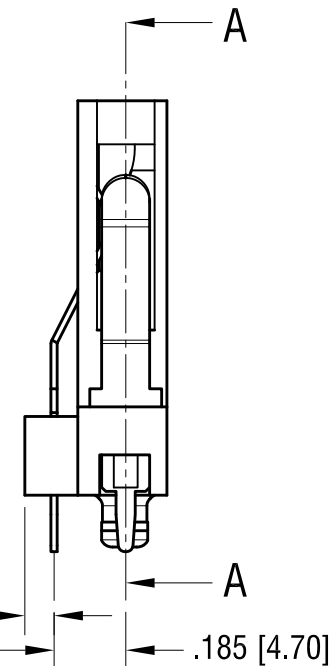
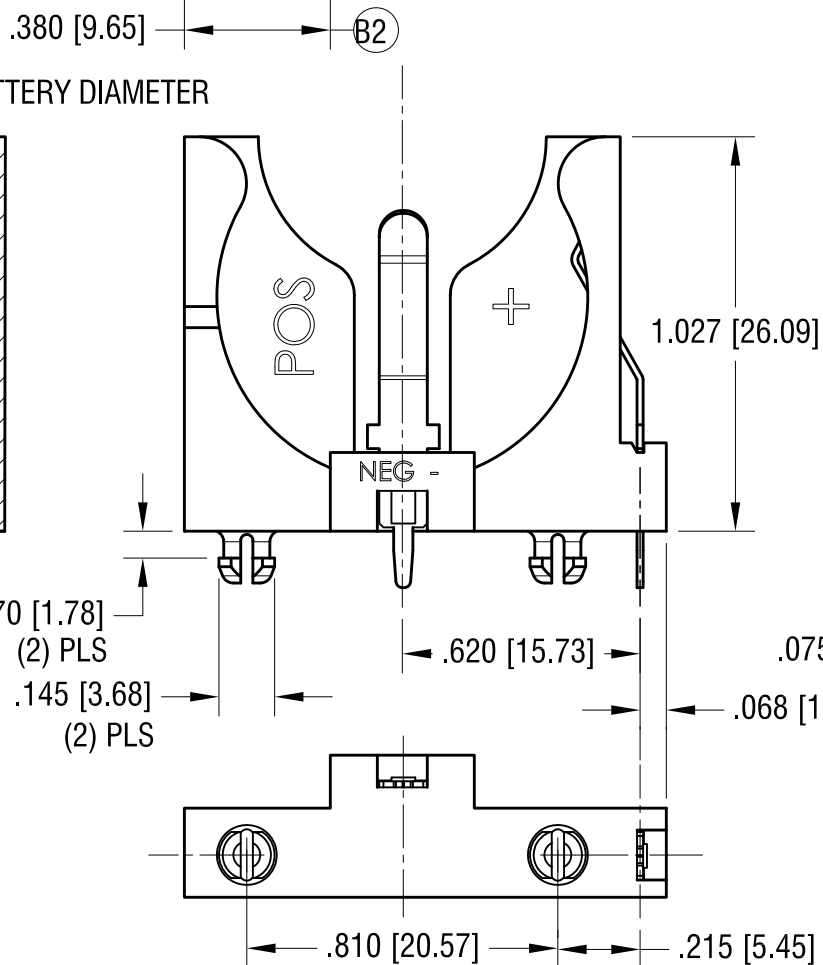
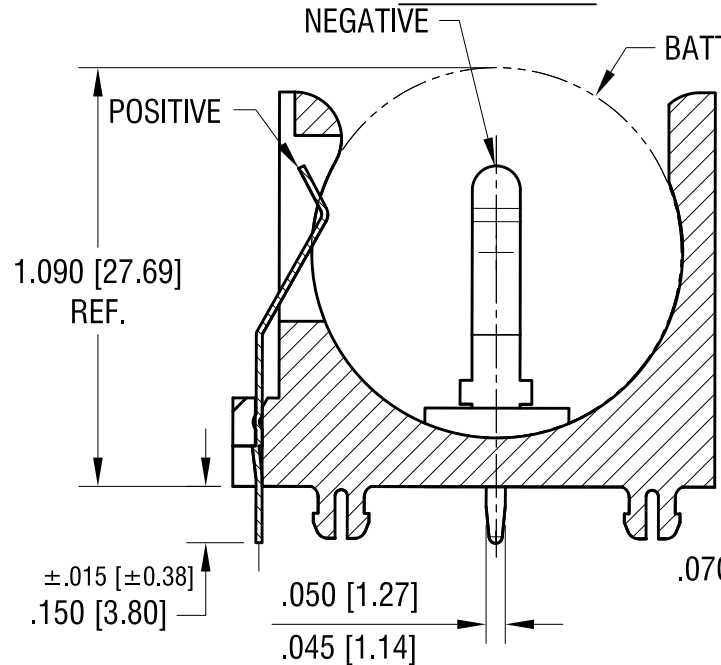
MOUNTING LAYOUT
TOLERANCE: $\pm .005$ [± 0.13] UNLESS OTHERWISE SPECIFIED.



DATE	DESCRIPTION	REV.
4.18.12	CHANGE AS PER ECN 12-049	A
4.23.12	CHANGE AS PER ECN 12-054 ADD (B1) (B2) DIMENSIONS	B
8.02.13	CHANGE AS PER ECN 13-064	C
4.28.14	CHANGE AS PER ECN 14-046	D



SECTION A-A



ACTUAL SIZE

THIS DOCUMENT IS THE PROPERTY OF KEYSTONE ELECTRONICS CORP. AND SHALL NOT BE REPRODUCED, DISTRIBUTED OR USED AS A BASIS FOR MANUFACTURE WITHOUT PRIOR WRITTEN PERMISSION FROM KEYSTONE ELECTRONICS CORP.

NOTES:

- 1. BASE:
MAT'L - PBT (UL 94V-0) BLACK
- CONTACTS:
MAT'L - .016 [0.40] TH'K STAINLESS STEEL
FINISH - TIN NICKEL PLATE.

KEYSTONE ELECTRONICS CORP.

www.keyelco.com • ASTORIA, N.Y. 11105-2017 • Tel (718) 956-8900

PART NAME		
VERTICAL 24mm COIN CELL HOLDER		
MATERIAL		
AS NOTED		
FINISH	DRN BY	DATE
AS NOTED	NT	12.03.11
TOLERANCES	APPD	SCALE
INCH [MM]	LN	2X
DECIMAL $\pm .010$ [± 0.25]	CODE	DWG NO.
ANGULAR $\pm 1^\circ$	C	1068
UNLESS OTHERWISE SPECIFIED		