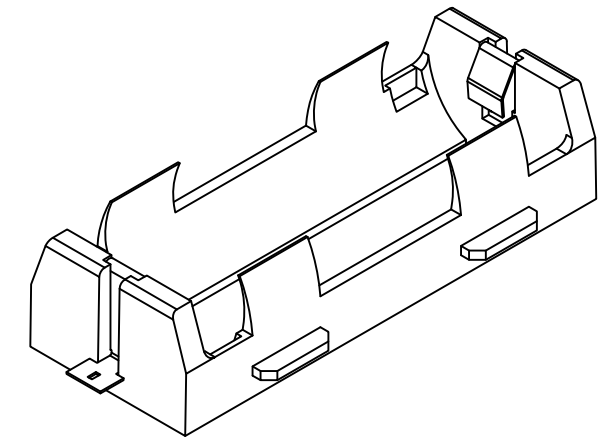
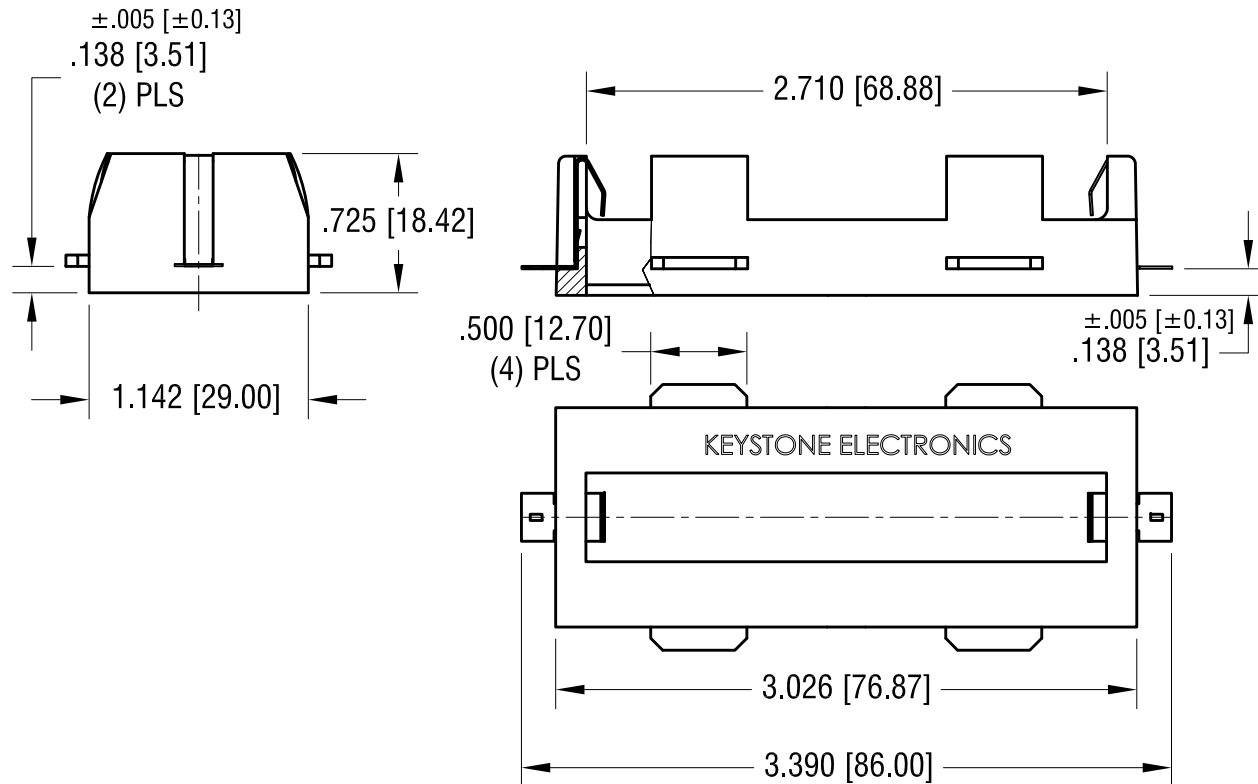
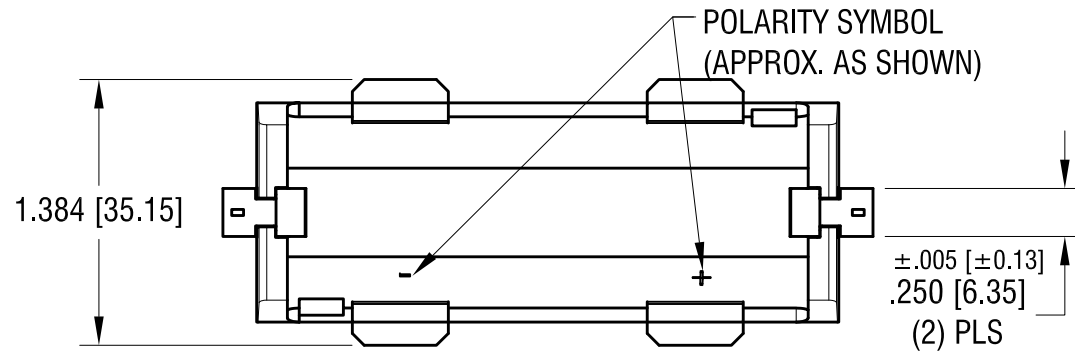


DATE	DESCRIPTION	REV.
9.16.15	CHANGE AS PER ECN 15-097 BASE MAT'L WAS PBT (BLACK)	A



NOTE:

- BASE:
MAT'L: STANYL (BLACK COLOR)
- CONTACT:
MAT'L: .012 THK STAINLESS STEEL
FINISH: GOLD FLASH, OVER NICKEL PLATE

THIS DOCUMENT IS THE PROPERTY OF
KEYSTONE ELECTRONICS CORP. AND
SHALL NOT BE REPRODUCED, DISTRIBUTED
OR USED AS A BASIS FOR MANUFACTURE
WITHOUT PRIOR WRITTEN PERMISSION
FROM KEYSTONE ELECTRONICS CORP.

KEYSTONE ELECTRONICS CORP.			
www.keyelco.com • ASTORIA, N.Y. 11105-2017 • Tel (718) 956-8900			
PART NAME		PC BATTERY HOLDER, 26650	
MATERIAL		AS NOTED	
FINISH	DRN BY	DATE	
AS NOTED	NT	11.07.14	
	APPD	SCALE	
	LN	1X	
TOLERANCES	INCH	[MM]	CODE
DECIMAL	$\pm .010$	[± 0.25]	C
ANGULAR	$\pm 1^\circ$		
UNLESS OTHERWISE SPECIFIED			DWG NO.
			1106