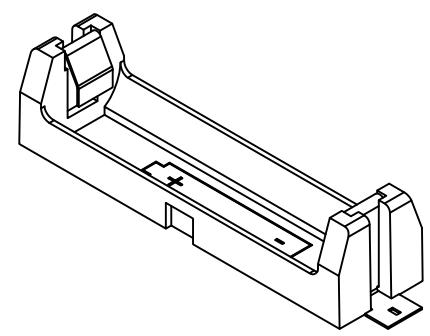
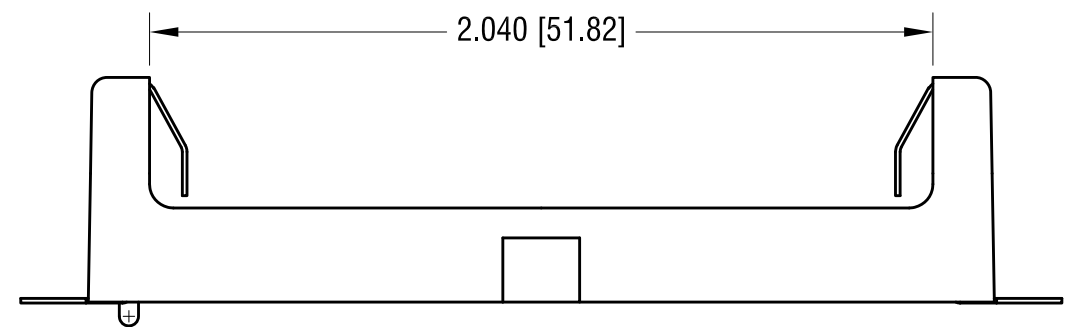
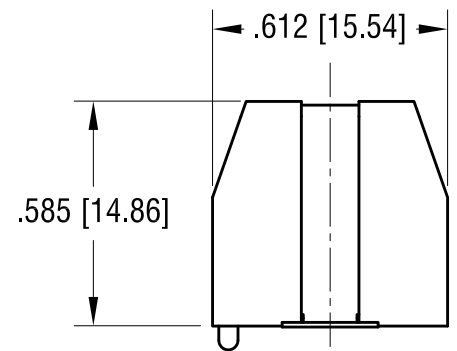
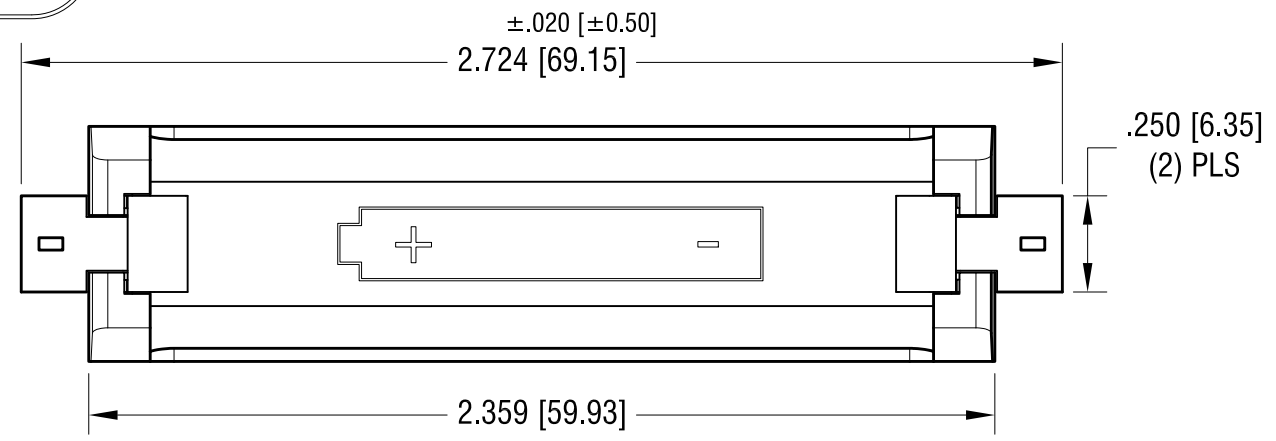
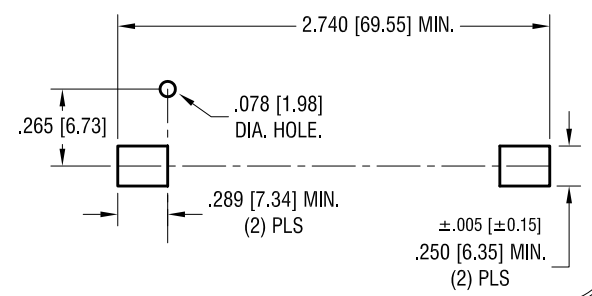


DATE	DESCRIPTION	REV.
2.17.10	CHANGE AS PER ECN 10-014	A
10.08.13	CHANGE AS PER ECN 13-090	B
3.30.17	CHANGE AS PER ECN17-029	C

MOUNTING PAD LAYOUT



NOTE:
 1. BASE:
 MAT'L: HEAT RESISTANCE NYLON STANYL 46 OR EQUIVALENT
 2. CONTACT:
 MAT'L: .012 [0.30] THK STAINLESS STEEL
 FINISH: GOLD FLASH, OVER NICKEL PLATE.

THIS DOCUMENT IS THE PROPERTY OF KEYSTONE ELECTRONICS CORP. AND SHALL NOT BE REPRODUCED, DISTRIBUTED OR USED AS A BASIS FOR MANUFACTURE WITHOUT PRIOR WRITTEN PERMISSION FROM KEYSTONE ELECTRONICS CORP.

KEYSTONE ELECTRONICS CORP.			
www.keyelco.com • ASTORIA, N.Y. 11105-2017 • Tel (718) 956-8900			
PART NAME		SM BATTERY HOLDER, AA	
MATERIAL		AS NOTED	
FINISH	AS NOTED	DRN BY	NT
		DATE	12.09.09
		APPD	LN
		SCALE	2X
TOLERANCES	INCH [MM]	CODE	DWG NO.
DECIMAL	± .010 [± 0.25]	C	1024
ANGULAR	± 1°		
UNLESS OTHERWISE SPECIFIED			