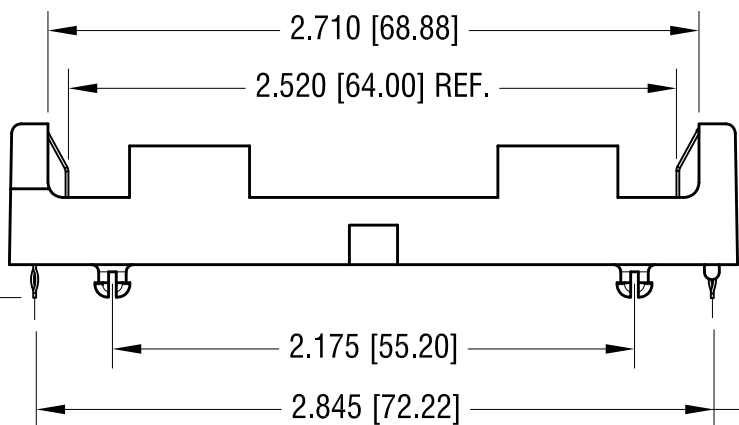
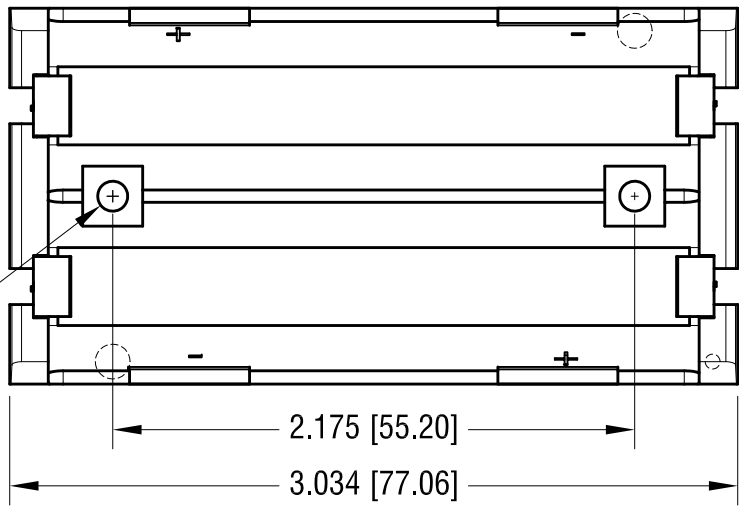
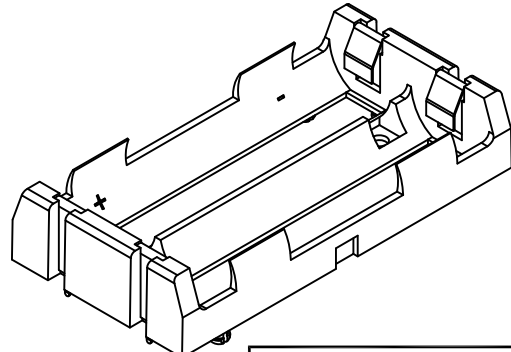
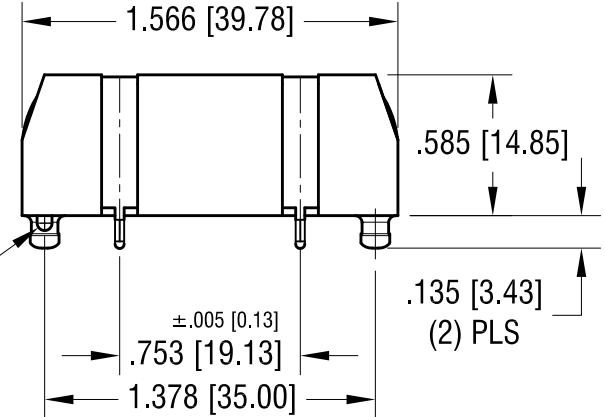


Ø.125 [Ø3.18] (2) PLS
DIA. MTG HOLE



Ø.062 [Ø1.57]
.062 [1.57] L.



THIS DOCUMENT IS THE PROPERTY OF
KEYSTONE ELECTRONICS CORP. AND
SHALL NOT BE REPRODUCED, DISTRIBUTED
OR USED AS A BASIS FOR MANUFACTURE
WITHOUT PRIOR WRITTEN PERMISSION
FROM KEYSTONE ELECTRONICS CORP.

DATE	DESCRIPTION	REV.
8.24.10	CHANGE AS PER ECN 10-062	A
10.04.10	CHANGE PER ECN 10-069	B
10.26.10	CHANGE PER ECN 10-075	C
4.08.11	CHANGE PER ECN 11-046	D
10.08.13	CHANGE PER ECN 13-092	E
1.03.17	ECN 17-002, (F1) WAS 2.822 [71.64]	F

NOTE:
1. BASE:
MAT'L: HEAT RESISTANCE NYLON
STANYL 46 OR EQUIVALENT
2. CONTACT:
MAT'L: .012 [0.30]THK STAINLESS STEEL
FINISH: TIN NICKEL PLATE

KEYSTONE ELECTRONICS CORP.			
www.keyelco.com • ASTORIA, N.Y. 11105-2017 • Tel (718) 956-8900			
PART NAME DUAL THM BATTERY HOLDER, 18650			
MATERIAL AS NOTED			
FINISH AS NOTED	DRN BY NT	DATE 8.19.10	
	APPD LN	SCALE 1.25X	
TOLERANCES INCH [MM] DECIMAL ±.010 [±0.25] ANGULAR ± 1° UNLESS OTHERWISE SPECIFIED	CODE C	DWG NO. 1049	