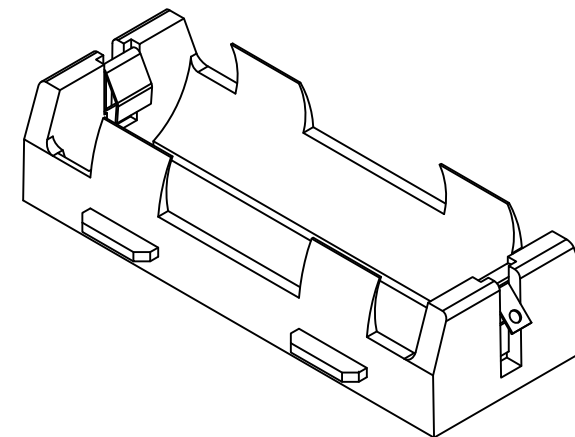
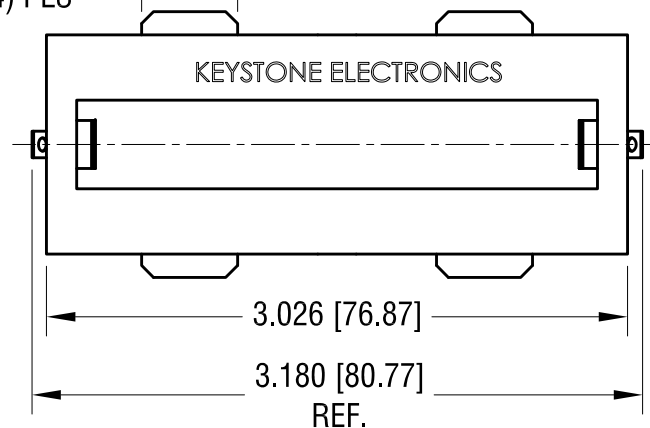
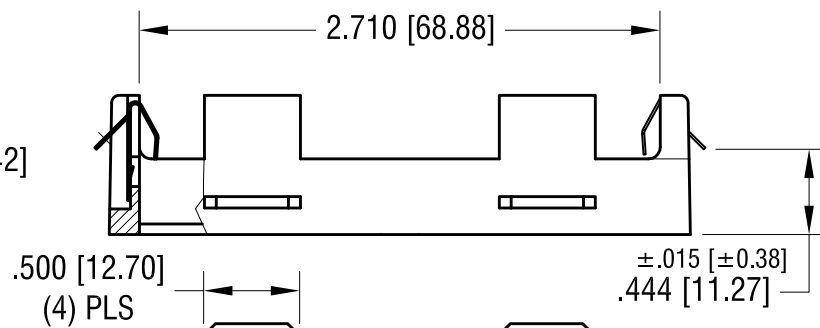
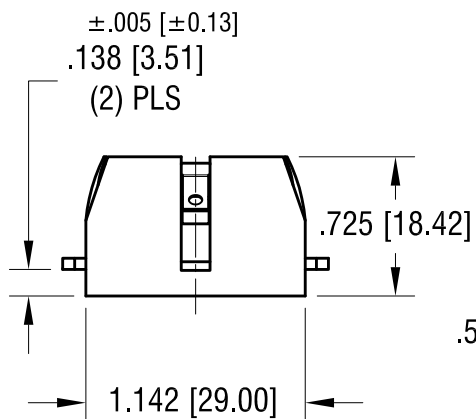
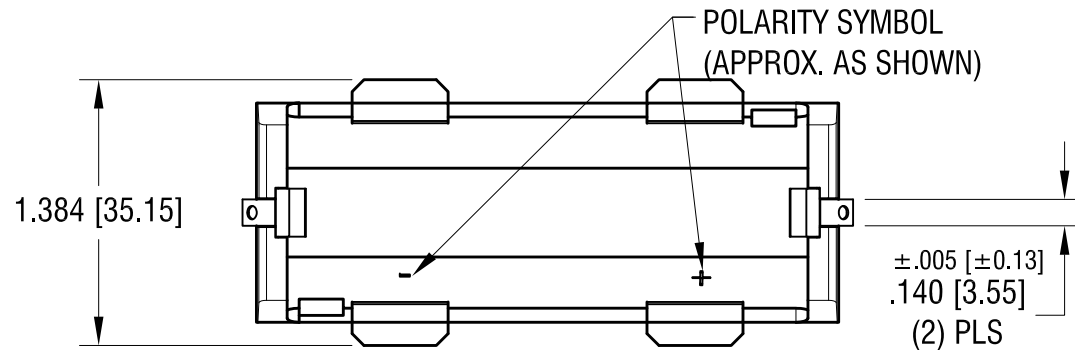


DATE	DESCRIPTION	REV.
1.19.15	CHANGE AS PER ECN 15-013	A
9.16.15	CHANGE AS PER ECN 15-098	B



- NOTE:
- BASE:  
MAT'L: PBT (BLACK COLOR)
  - CONTACT:  
MAT'L: .012 THK STAINLESS STEEL  
FINISH: TIN NICKEL PLATE

THIS DOCUMENT IS THE PROPERTY OF  
KEYSTONE ELECTRONICS CORP. AND  
SHALL NOT BE REPRODUCED, DISTRIBUTED  
OR USED AS A BASIS FOR MANUFACTURE  
WITHOUT PRIOR WRITTEN PERMISSION  
FROM KEYSTONE ELECTRONICS CORP.

<b>KEYSTONE ELECTRONICS CORP.</b>			
www.keyelco.com • ASTORIA, N.Y. 11105-2017 • Tel (718) 956-8900			
PART NAME SOLDER TAIL BATTERY HOLDER, 26650			
MATERIAL AS NOTED			
FINISH AS NOTED	DRN BY NT	DATE 11.07.14	
	APPD LN	SCALE 1X	
TOLERANCES DECIMAL ANGULAR	INCH $\pm .010$ [ $\pm 0.25$ ] $\pm 1^\circ$	CODE C	DWG NO. 1107
UNLESS OTHERWISE SPECIFIED			