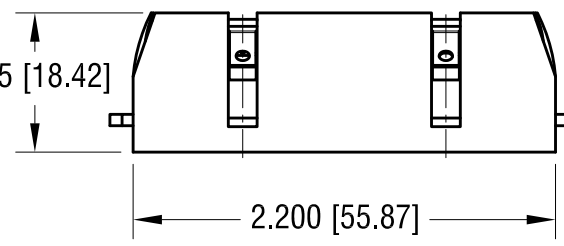
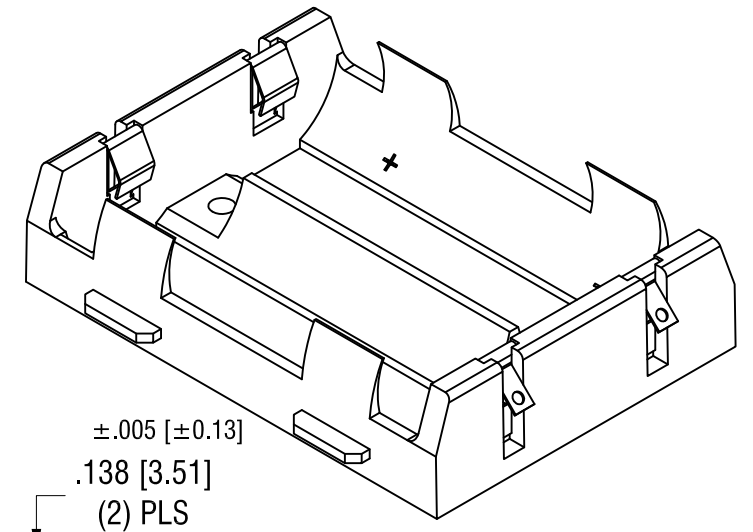
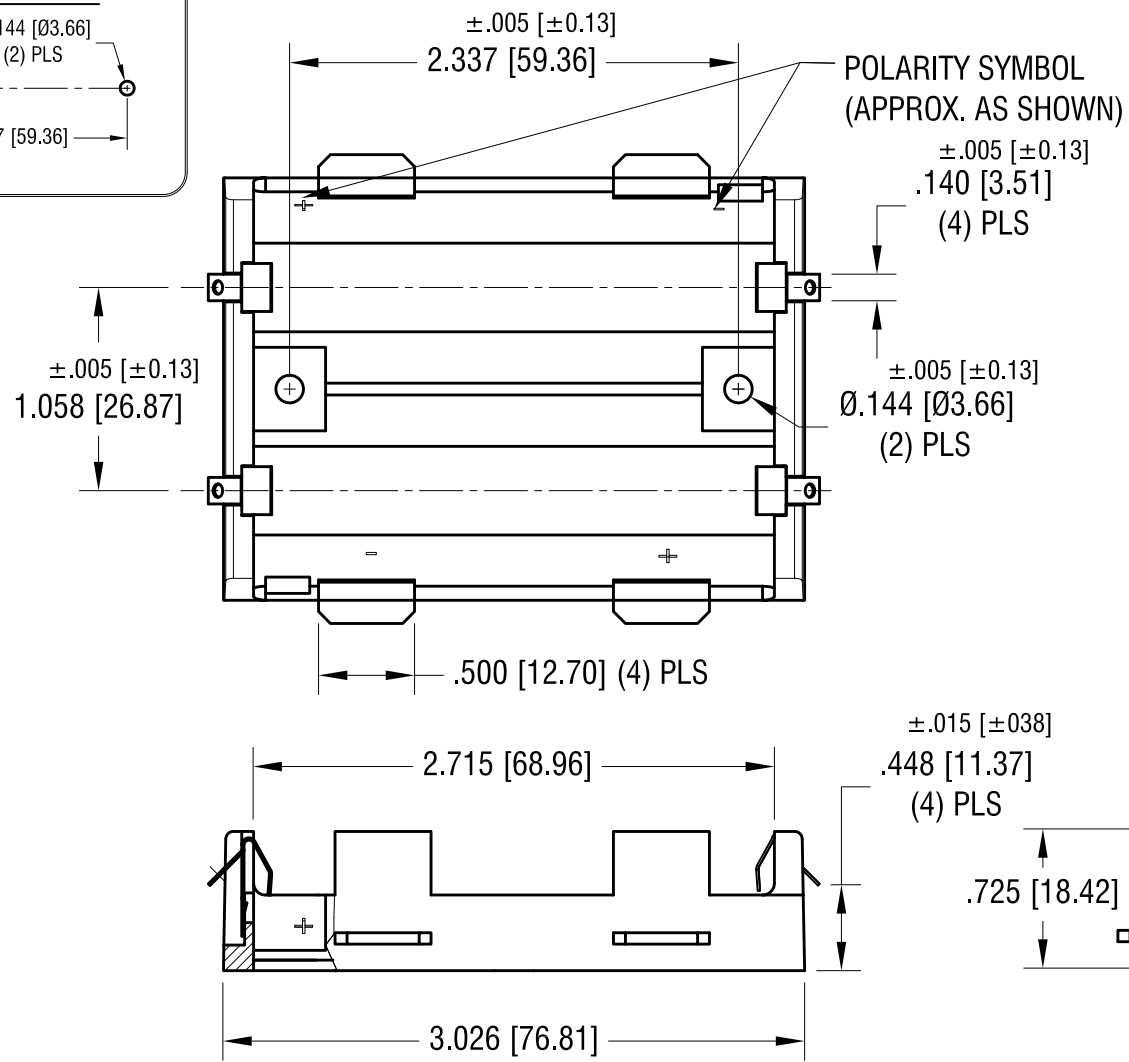
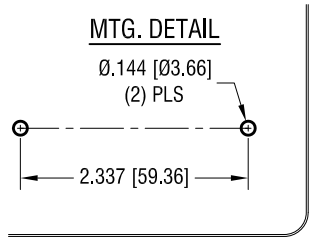


DATE	DESCRIPTION	REV.
1.19.15	CHANGE AS PER ECN 15-011	A
1.21.15	CHANGE AS PER ECN 15-016	B
9.16.15	CHANGE AS PER ECN 15-100	C



NOTE:  
 1. BASE:  
 MAT'L: PBT (BLACK COLOR)  
 2. CONTACT:  
 MAT'L: .012 THK STAINLESS STEEL  
 FINISH: TIN NICKEL PLATE

THIS DOCUMENT IS THE PROPERTY OF KEYSTONE ELECTRONICS CORP. AND SHALL NOT BE REPRODUCED, DISTRIBUTED OR USED AS A BASIS FOR MANUFACTURE WITHOUT PRIOR WRITTEN PERMISSION FROM KEYSTONE ELECTRONICS CORP.

<b>KEYSTONE ELECTRONICS CORP.</b>			
www.keyelco.com • ASTORIA, N.Y. 11105-2017 • Tel (718) 956-8900			
PART NAME SOLDER TAIL DUAL BATTERY HOLDER, 26650			
MATERIAL AS NOTED			
FINISH AS NOTED	DRN BY NT	DATE 11.07.14	
	APPD LN	SCALE 1X	
TOLERANCES INCH [MM] DECIMAL $\pm .010 [\pm 0.25]$ ANGULAR $\pm 1^\circ$ UNLESS OTHERWISE SPECIFIED	CODE C	DWG NO. 1109	