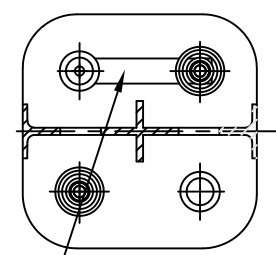
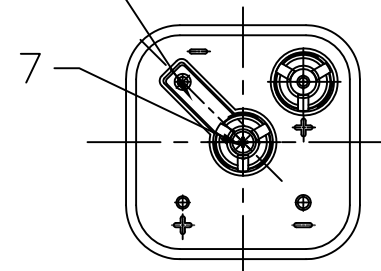
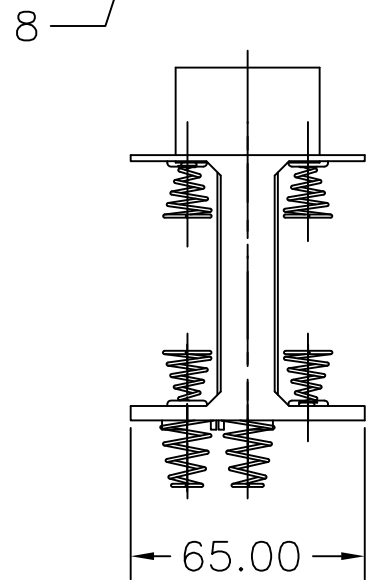
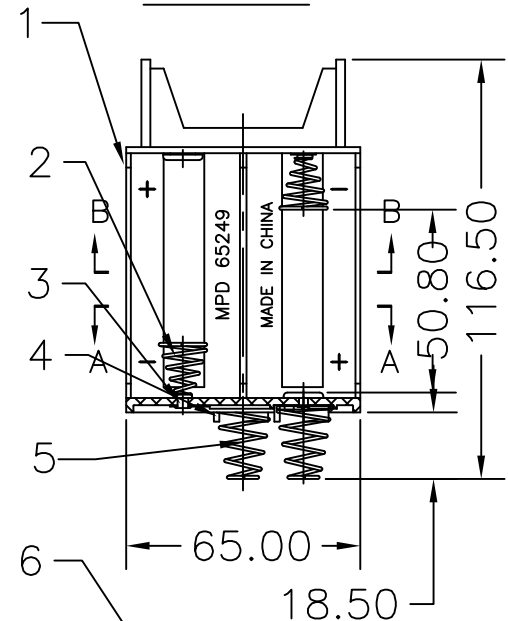


SECTION B-B




SECTION A-A



REVISIONS					
FER.FILE	ZNOE	QTY.	DESCRIPTION	REV.	CHANGED BY / DATE
			ADDED "ROHS COMPLIANT"	C	BS JAN.12.08
			UPDATED ROHS 2 COMPLIANT	D	BS AUG.06.14

ROHS 2 COMPLIANT

ITEM	PART NAME	MATERIAL	QTY	P/N
8	JUMP PLATE LONG	STEEL NI-PLATED	3	47-274102
7	SCREW M3X6	45# ST. NI-PLATED	1	41-225052
6	JUMP PLATE	STEEL NI-PLATED	1	47-274101
5	OUT SPRING	SPR-STEEL NI-PLATED	2	49-274101
4	PEDESTAL	STEEL NI-PLATED	2	47-274103
3	EYELET	SPR-STEEL NI-PLATED	4	44-100001
2	SPRING "-'	SPR-STEEL NI-PLATED	4	49-274102
1	BATTERY HSG	PP	1	53-27401

Tolerance (Except as noted)	 Memory Protection Devices, Inc 200 Broad Hollow Road, Farmingdale, New York 11735	Scale	Drawn By
		1=1	Approved By
Fractional ± .8 (.030)	Title LANTERN BATTERY REPLACEMENT USING FOUR UM-1 OR D CELLS		
Angular ± 3°	Date 8/06/14	Drawing Number BA4D-S	