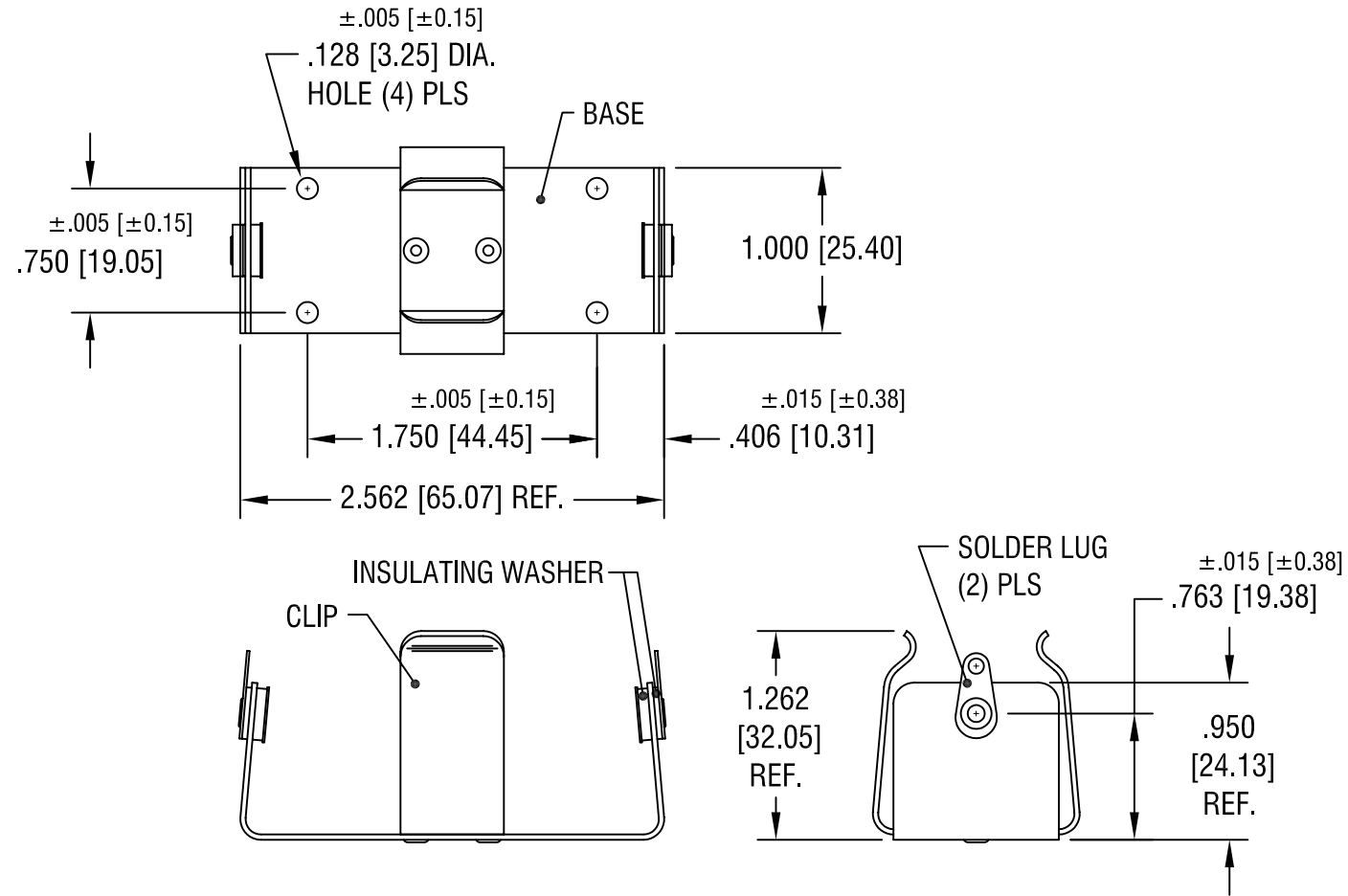


| DATE | DESCRIPTION | REV. |
|------|-------------|------|
| | | |



NOTES:
 1. BASE: MAT'L - .032 [.81] TH'K ALUMINUM
 CLIP: MAT'L - .032 [.81] TH'K ALUMINUM
 SOLDER LUG: MAT'L - BRASS
 FINISH - TIN PLATE

THIS DOCUMENT IS THE PROPERTY OF
 KEYSTONE ELECTRONICS CORP. AND
 SHALL NOT BE REPRODUCED, DISTRIBUTED
 OR USED AS A BASIS FOR MANUFACTURE
 WITHOUT PRIOR WRITTEN PERMISSION
 FROM KEYSTONE ELECTRONICS CORP.

| | | | |
|-----------------------------------|---------------|--------|---------|
| KEYSTONE ELECTRONICS CORP. | | | |
| ASTORIA, N.Y. 11105-2017 | | | |
| PART NAME | | | |
| BATTERY HOLDER, (1) 'D' CELL | | | |
| MATERIAL | | | |
| AS NOTED | | | |
| FINISH | | DRN BY | DATE |
| AS NOTED | | BOONE | 5.3.07 |
| | | APPD | SCALE |
| | | LN | .9X |
| TOLERANCES | INCH | CODE | DWG NO. |
| DECIMAL | ±.010 [±0.25] | C | 175 |
| ANGULAR | ± 1° | | |
| UNLESS OTHERWISE SPECIFIED | | | |