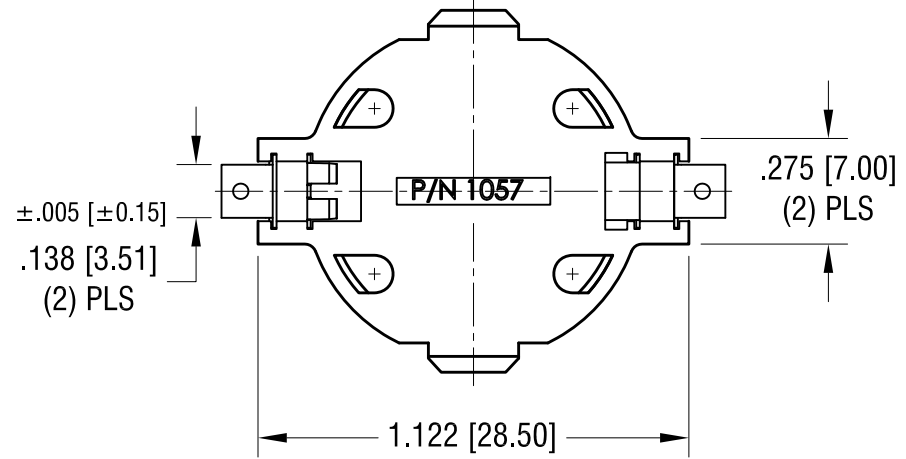


ACTUAL SIZE



- NOTES:
1. BASE:
MAT'L - GLASS FILLED LCP UL 94V-0, NATURAL
 2. CONTACTS:
MAT'L - .009 [0.23] TH'K PHOSPHOR BRONZE
FINISH: GOLD FLASH , OVER NICKEL PLATING

THIS DOCUMENT IS THE PROPERTY OF KEYSTONE ELECTRONICS CORP. AND SHALL NOT BE REPRODUCED, DISTRIBUTED OR USED AS A BASIS FOR MANUFACTURE WITHOUT PRIOR WRITTEN PERMISSION FROM KEYSTONE ELECTRONICS CORP.

| DATE | DESCRIPTION | REV. |
|----------|--------------------------|------|
| 6.04.13 | CHANGE AS PER ECN 13-043 | A |
| 7.19.13 | CHANGE AS PER ECN 13-058 | B |
| 7.24.13 | CHANGE AS PER ECN 13-060 | C |
| 9.17.13 | CHANGE AS PER ECN 13-072 | D |
| 10.24.13 | CHANGE AS PER ECN 13-103 | E |
| 1.30.14 | CHANGE AS PER ECN 14-014 | F |
| 3.10.14 | CHANGE AS PER ECN 14-025 | G |
| 10.23.14 | CHANGE AS PER ECN 14-110 | H |

| | | | |
|---|--------|--------------------------|-------------|
| KEYSTONE ELECTRONICS CORP. | | | |
| www.keyelco.com • ASTORIA, N.Y. 11105-2017 • Tel (718) 956-8900 | | | |
| PART NAME | | 2032 BATTERY HOLDER, SMT | |
| MATERIAL | | AS NOTED | |
| FINISH | DRN BY | DATE | |
| AS NOTED | NT | 5.28.13 | |
| | APPD | SCALE | |
| | LN | 2X | |
| TOLERANCES | INCH | [MM] | CODE |
| DECIMAL | ±.010 | [±0.25] | C |
| ANGULAR | ± 1° | | |
| UNLESS OTHERWISE SPECIFIED | | | DWG NO. |
| | | | 1057 |