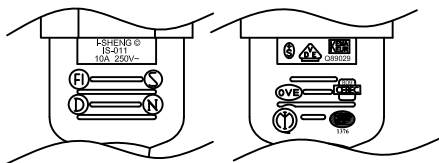


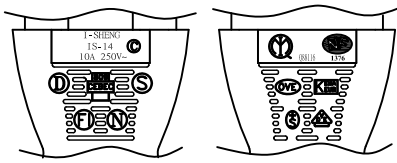
REACH&RoHS Compliant

Signature	Revision History	Date	Rev.
LIBRA	For Bulk Production	Mar.29,2012	01

MARKING:

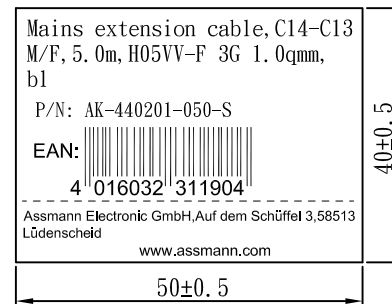
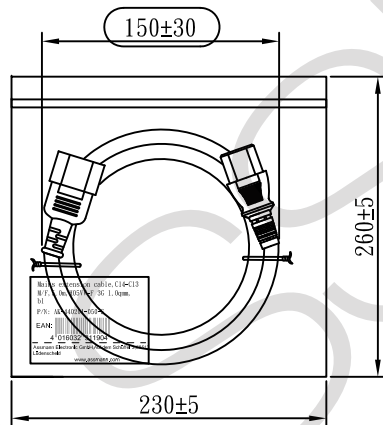
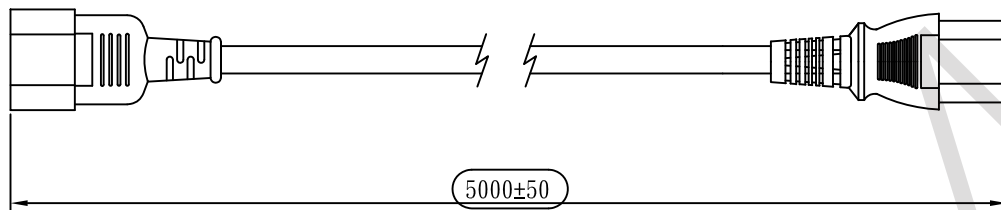


MARKING:



No	Description	Q'ty	Part no.
1	KPR-11 Copper clipper	3 pcs	BBN11000
2	IS-011 Plug cover	1 pcs	MP011012
3	IS-011 Over mold cover	1 pcs	MI011000
4	PVC 45P (SA87, IS-011)	18 g	RPP04512
5	KPR-14 Copper clipper	3 pcs	BBB14000
6	IS-14 Over mold cover	1 set	MI014000
7	PVC 45P (SA87, IS-14)	22 g	RPP04512
8	Tie (black)8"	2 pcs	KBB10008
9	PE bag(230*260)	1 pcs	KPT02326
10	Label 40*50	1 pcs	

Remark: Barcode label paste on PE bag, the barcode type: EAN 13 readable contents: 4016032311904



Wire Color:

- E: Yellow/Green
- N: Blue
- L: Brown
- Blue
- Brown

Wire Logo (205-14)

I-SHENG SGIS <VDE> KEMA-KEUR <VDE> ΔCEBEC 809 NF-USE 1346 IEMMEQU H05VV-F 3G 1.0mm² 60227 IEC 53 RVV 300/500V A003083 3ASL/100 4V-75 V-75(75°C) 250/440V ORDINARY DUTY Q90033 -LF- CE

	Date	Name	Part No.
Drawn by	2017.04.05	CAMILLA	AK-440201-050-S
Checked by			EAN:4016032311904
Approved by			
<p>ASSMANN Electronic GmbH</p>			Title
			Power Cord extension cable, C14 - C13
Scale		N/A	Sheet 1/2
Unit		MM	

STxxxxx

Package Details

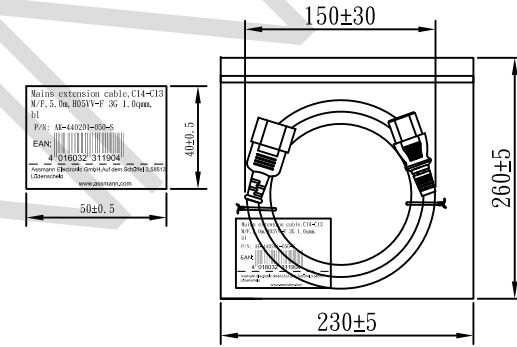
REACH&RoHS Compliant

Signature	Revision History	Date	Rev.
LIBRA	For Bulk Production	Mar.29,2012	01

Single Cable

Single Cable

P/N	Cable Length	Rolling Size (Single Cable)	Polybag Type (Single Cable)	Bag Size (Single Cable)	Article Weight (Single Cable)
AK-440201-050-S	5.0m	150±30mm	Ordinary Polybag (Heat Sealed)	230*260*0.04mm	0.430128kg



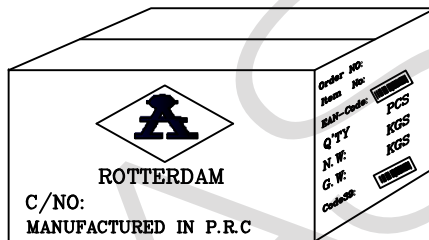
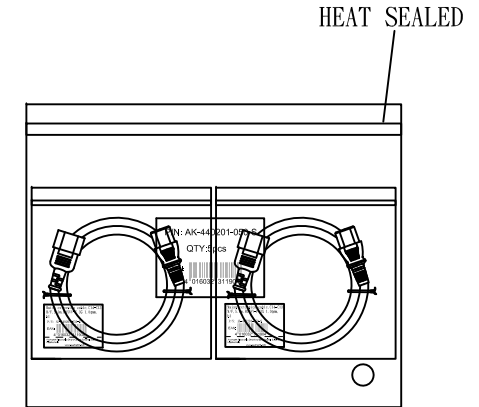
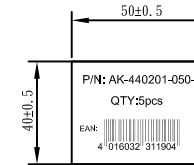
Inner Packing Unit

Inner Packing Unit

P/N	Cable Length	Quantity (Inner Packing Unit)	Type (Inner Packing Unit)	Size (Inner Packing Unit)	Weight (Inner Packing Unit)
AK-440201-050-S	5.0m	5 pcs	Polybag (Heat Sealed)	500*550*0.08mm	0.000kg

CARTON DETAILS

P/N	Cable Length	Quantity (Carton)	Measurement (Carton)	N.W. (Carton)	G.W. (Carton)
AK-440201-050-S	5.0m	40pcs	546*355*170mm	17.20512kg	18.20512kg



	Date	Name	Part No.
Drawn by	2017.04.05	CAMILLA	AK-440201-050-S
Checked by			EAN: 4016032311904
Approved by			Title
ASSMANN Electronic GmbH			Power Cord extension cable, C14 - C13
			Scale Unit

- * "ROTTERDAM" is for Sea Freight shipment
- * "COLOGNE" is for Air Freight shipment
- * "LUDENSCHIED" is for Fedex or UPS shipment

STxxxxx