

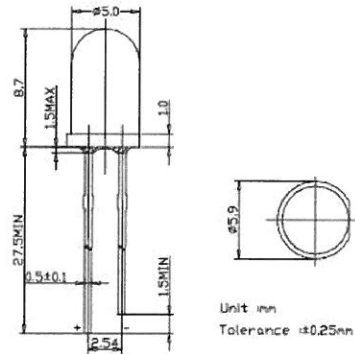
### ■Features

- 5ø Standard Directivity
- Superior Weather-resistance
- UV Resistant Epoxy
- Water Clear Type
- RoHS Compliant

### ■Applications

- General Purpose Indicators
- Small Area Illuminations
- Back Lighting

### ■Outline Dimension



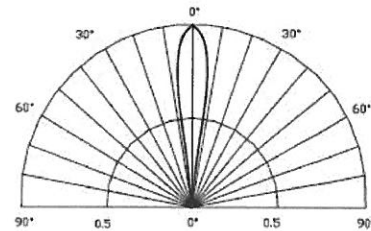
### ■Absolute Maximum Rating

(Ta=25°C)

Item	Symbol	Value	Unit
DC Forward Current	$I_F$	20	mA
Pulse Forward Current*	$I_{FP}$	100	mA
Reverse Voltage	$V_R$	5	V
Power Dissipation	$P_D$	120	mW
Operating Temperature	$T_{opr}$	-30~+80	°C
Storage Temperature	$T_{stg}$	-30~+100	°C
Lead Soldering Temperature	$T_{sol}$	260°C/3sec	-

\*Pulse width Max.10ms Duty ratio max 1/10

### ■Directivity



### ■Electrical -Optical Characteristics

(Ta=25°C)

Item	Symbol	Condition	Min.	Typ.	Max.	Unit
DC Forward Voltage	$V_F$	$I_F=20mA$	2.8	3.3	3.8	V
DC Reverse Current	$I_R$	$V_R=5V$		-	10	$\mu A$
Luminous Intensity	$I_v$	$I_F=20mA$	25000	30000	36000	mcđ
Chromaticity Coordinate*	x	$I_F=20mA$	0.27	0.31	0.35	
	y	$I_F=20mA$	0.28	0.30	0.33	
50% Power Angle	$2\theta_{1/2}$	$I_F=20mA$	-	15	-	deg

\*Please refer to CIE 1931 chromaticity diagram.