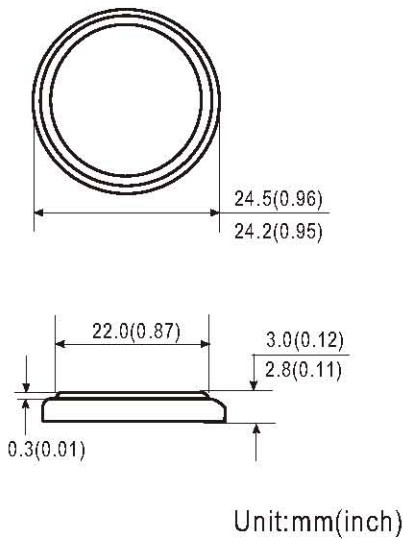


LITHIUM BUTTON CELL

Document Title: PB042430

CR2430



Chemical System: Lithium/Manganese Dioxide

IEC Name: CR2430

ANSI/NEDA: 5011LC

Camelion Model: CR2430

Average Weight: 4.2g

Dimension (∅ x H): 24.5^{-0.3}x3.0^{-0.2}mm
0.96^{-0.01}x0.12^{-0.01}inch

Terminals: Flat

Nominal Voltage: 3.0Volts

Capacity: 270.0mAh

(20±2°C, Rated at 15kΩ to 2.00V)

Standard Discharge Current: 0.2mA

Max. Continuous Discharge Current: 1.0mA

Max. Pulse Discharge Current: 15.0mA

Operating Temperature: -20°C~60°C

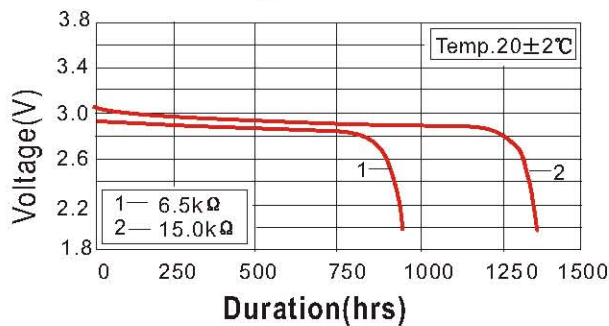
Storage Conditions

Temperature: -20°C~45°C

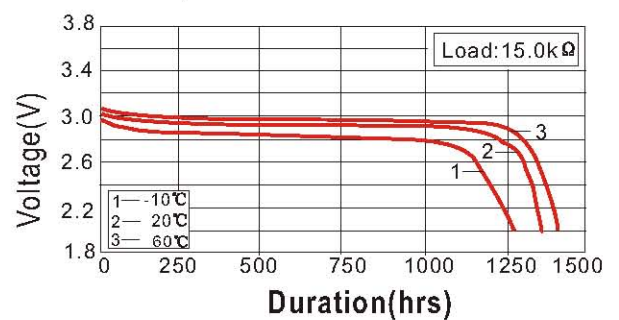
Relative Humidity: 60±15%

Cross Reference: E-CR2430(Energizer),
DL2430(Duracell),KECR2430(Rayovac)

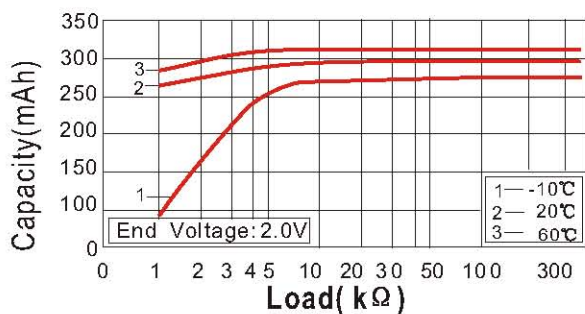
Discharge characteristics



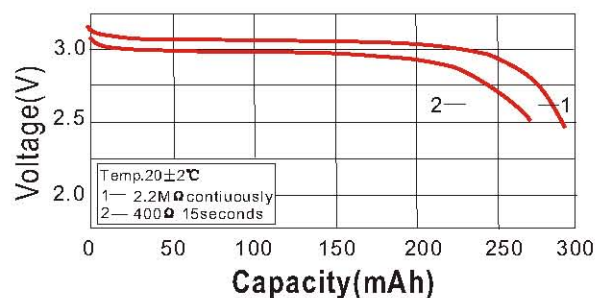
Temperature Characteristics



Load-capacity characteristic



Pulse Discharge Characteristic



Notice:

Environmental elements comply with RoHS requirements. This information is subject to change without prior notice and for reference only. It should not be used as a basis for a product guarantee or warranty. For additional information, please consult your nearest Camelion Sales Office or Distributor or visit our website at: www.camelionbattery.com.