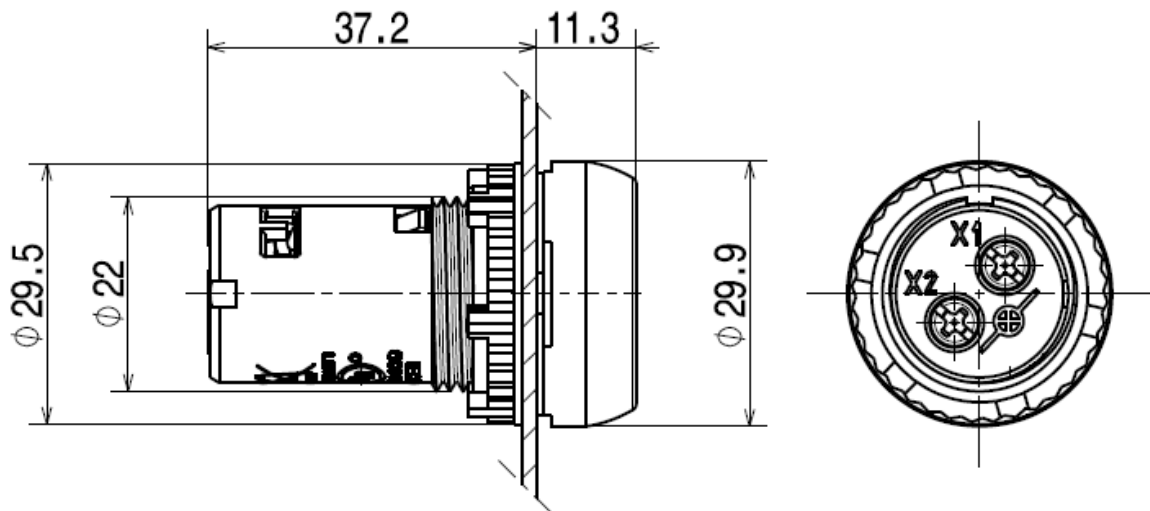


## Measurement:



## Technical characteristics:

### Protection index :

- IP 66 and IP69K following IEC 60529
- NEMA 4x,12,13
- IP 20 at the back of panel following IEC 60529

### Protection against mechanical impact:

- IK 05 following IEC 62262

### Operating voltage :

- 24 V AC/DC (+/- 10%)
  - 130 V AC/DC\* (+/- 10%)
  - 230 V AC/DC\* (+/- 10%)
- \*Declarative rating

### Terminals :

- Screw terminals

### Tightening torque for terminals :

- Recommended 1.2N.m.

### Consumption :

- 24V : 4.6mA
- 130V : 5.2mA
- 230V : 4.6mA

### Lifetime at rated supply voltage :

- Red: 100 000 hours at 25°C
- Others colours: 50 000 hours at 25°C

### Insulation voltage :

- 300 V

### Pollution degree :

- 3

### Tightening torque for locking ring :

- Recommended 3 N.m. or tightened with fixing tool to hand tight after pressure point plus another half turn

### Electrical insulation :

- Classe II according to IEC 60947-5-1

### Operating temperature :

- minimum : -25°C maximum : +70°C

### Storage Temperature :

- minimum : -40°C maximum : +70°C

### Cold test :

- according to IEC 60068-2-1

### Dry heat test :

- according to IEC 60068-2-2

### Constant humidity test :

- according to IEC 60068-2-3

### Materials:

- PC (Lens)

### Certifications and conformity:

- CB test (IEC 60947-5-1); CE; CCC; UL and BV
- Compliant with RoHs and Reach

### Packaging:

- Minimum Order Quantity=10

### Guarantee:

- 10 years guarantee

